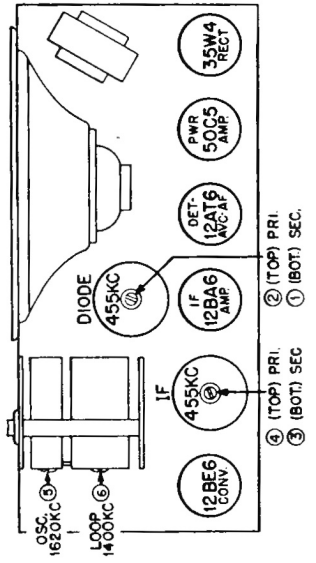
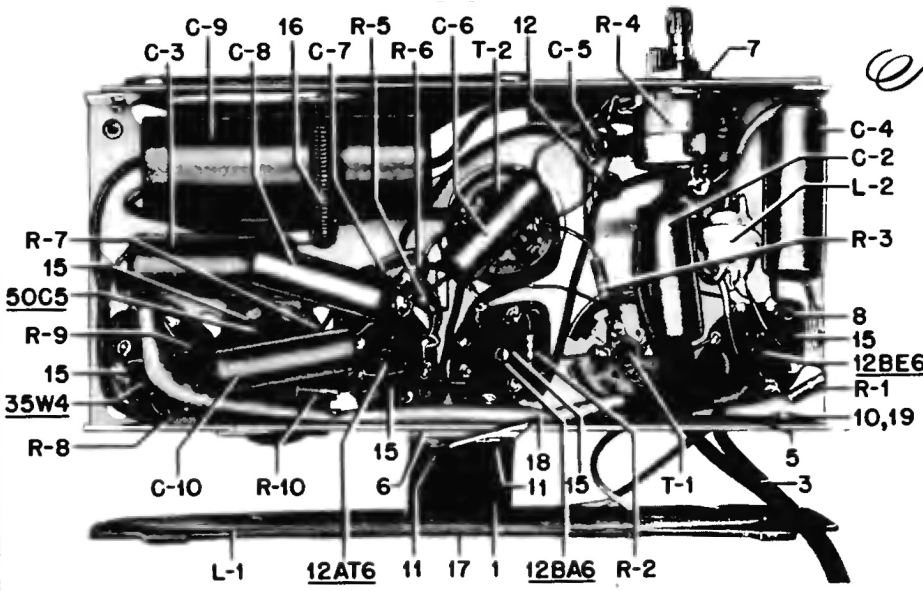


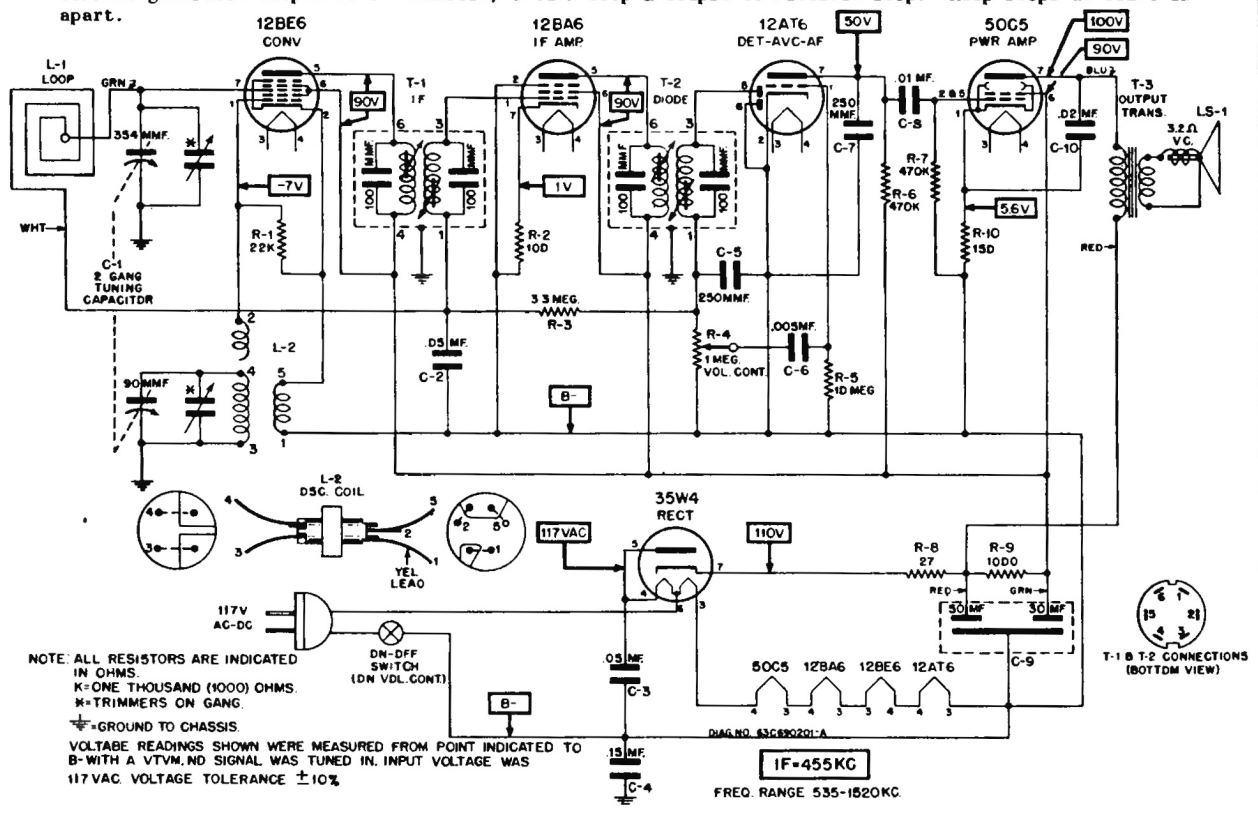
# Motorola Inc.

**MODELS** 58RI5A  
 58RIIA 58RI6A  
 58RI2A CHASSIS  
 58RI3A HS-184  
 58RI4A



STEP	DUMMY ANTENNA	GENERATOR CONNECTION	GENERATOR FREQUENCY	POINTER SET TO	ADJUST
1.	IF ALIGNMENT .1 mf	Rear stator of tuning cap	455 Kc	Gang opened	1, 2, 3 & 4
2.	RF ALIGNMENT "	"	1620 Kc	"	5
3.	None	Radiation loop*	1400 Kc	Tune for maximum	6

\* Connect generator output to 5" diameter, 3 turn loop & couple to receiver loop. Keep loops at least 12" apart.



IF=455KC  
 FREQ. RANGE 535-1520KC