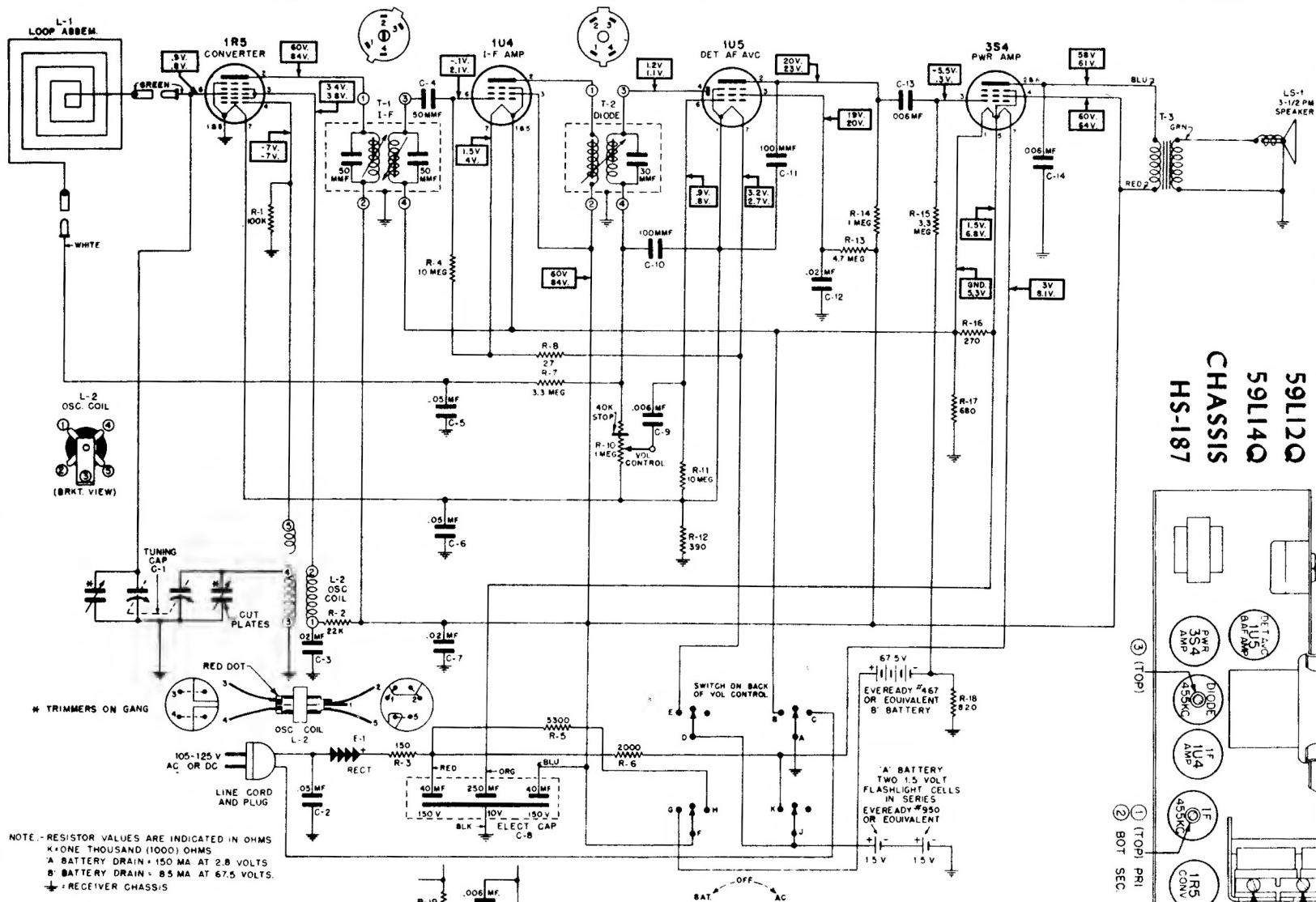
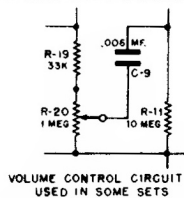
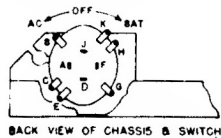


*Motorola Inc.*

**MODELS**  
**59L11Q**  
**59L12Q**  
**59L14Q**  
**CHASSIS**  
**HS-187**



NOTE - RESISTOR VALUES ARE INDICATED IN OHMS  
 K=ONE THOUSAND (1000) OHMS  
 A BATTERY DRAIN = 150 MA. AT 2.8 VOLTS  
 B BATTERY DRAIN = 85 MA. AT 67.5 VOLTS.  
 \* - RECEIVER CHASSIS



VOLTAGE READINGS SHOWN WERE  
 MEASURED FROM POINTS INDICATED  
 TO B- WITH A VTVM. TWO READINGS  
 ARE SHOWN-TOP READINGS TAKEN  
 WITH BATTERY POWER TO SET  
 LOWER READINGS WITH 117V AC TO  
 SET. NO SIGNAL WAS TUNED IN.  
 TOLERANCE 10%. ALL READINGS DC.

