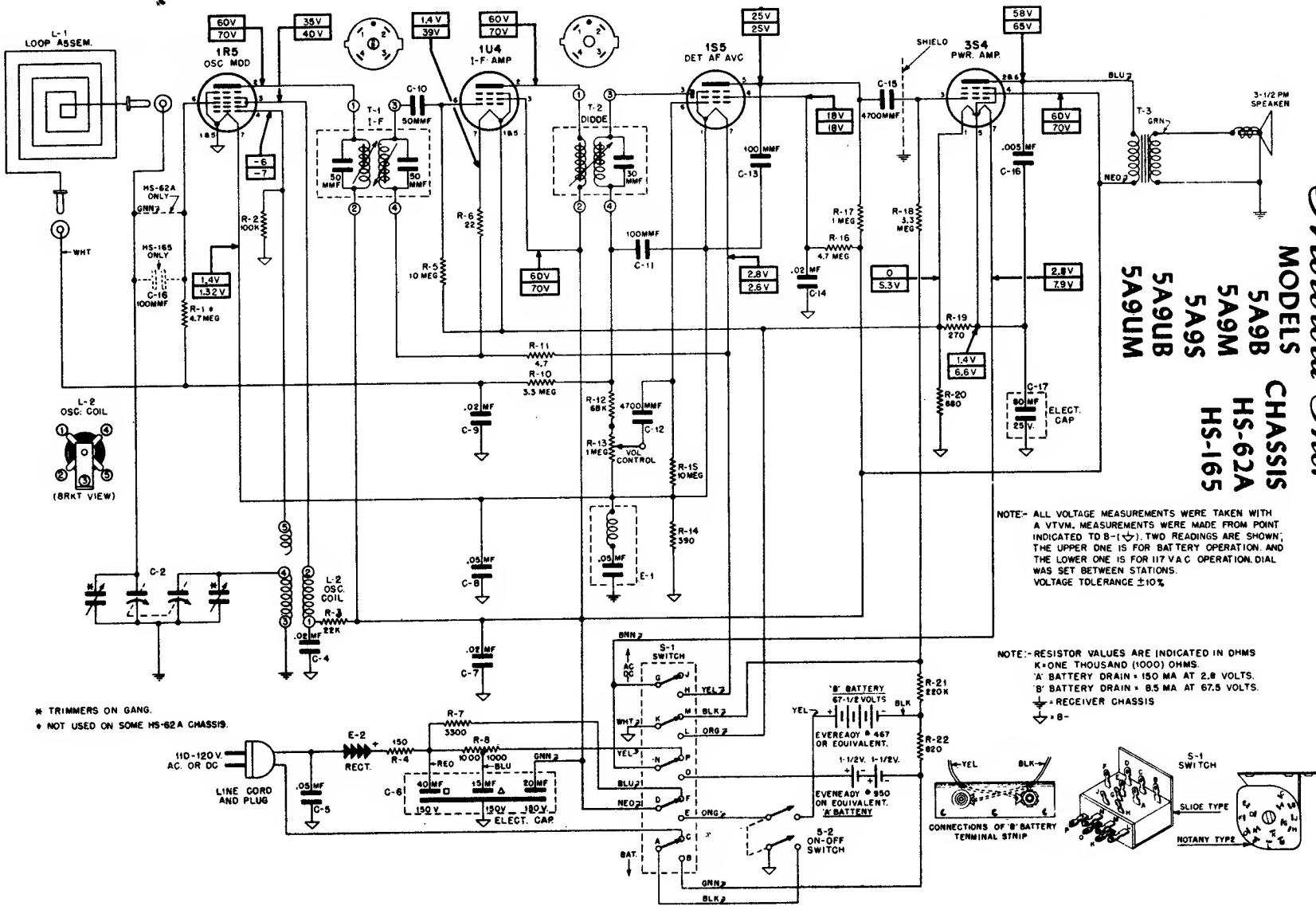


Motorola Inc.

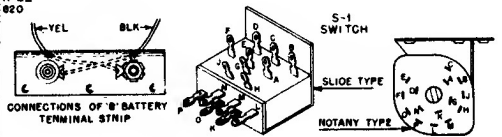
MODELS
 5A9B
 5A9M
 5A9S
 5A9UM

CHASSIS
 HS-62A
 HS-165



NOTE:- ALL VOLTAGE MEASUREMENTS WERE TAKEN WITH A VTVM. MEASUREMENTS WERE MADE FROM POINT INDICATED TO B-(\hookrightarrow). TWO READINGS ARE SHOWN; THE UPPER ONE IS FOR BATTERY OPERATION, AND THE LOWER ONE IS FOR 117 V.A.C. OPERATION. DIAL WAS SET BETWEEN STATIONS. VOLTAGE TOLERANCE $\pm 10\%$.

NOTE:- RESISTOR VALUES ARE INDICATED IN OHMS
 K = ONE THOUSAND (1000) OHMS.
 'A' BATTERY DRAIN = 150 MA AT 2.0 VOLTS.
 'B' BATTERY DRAIN = 8.5 MA AT 67.5 VOLTS.
 \hookrightarrow - RECEIVER CHASSIS
 \hookrightarrow - B -



* TRIMMERS ON GANG.
 • NOT USED ON SOME HS-62A CHASSIS.

TUNING RANGE - 535 to 1620 Kc

IF - 455 Kc