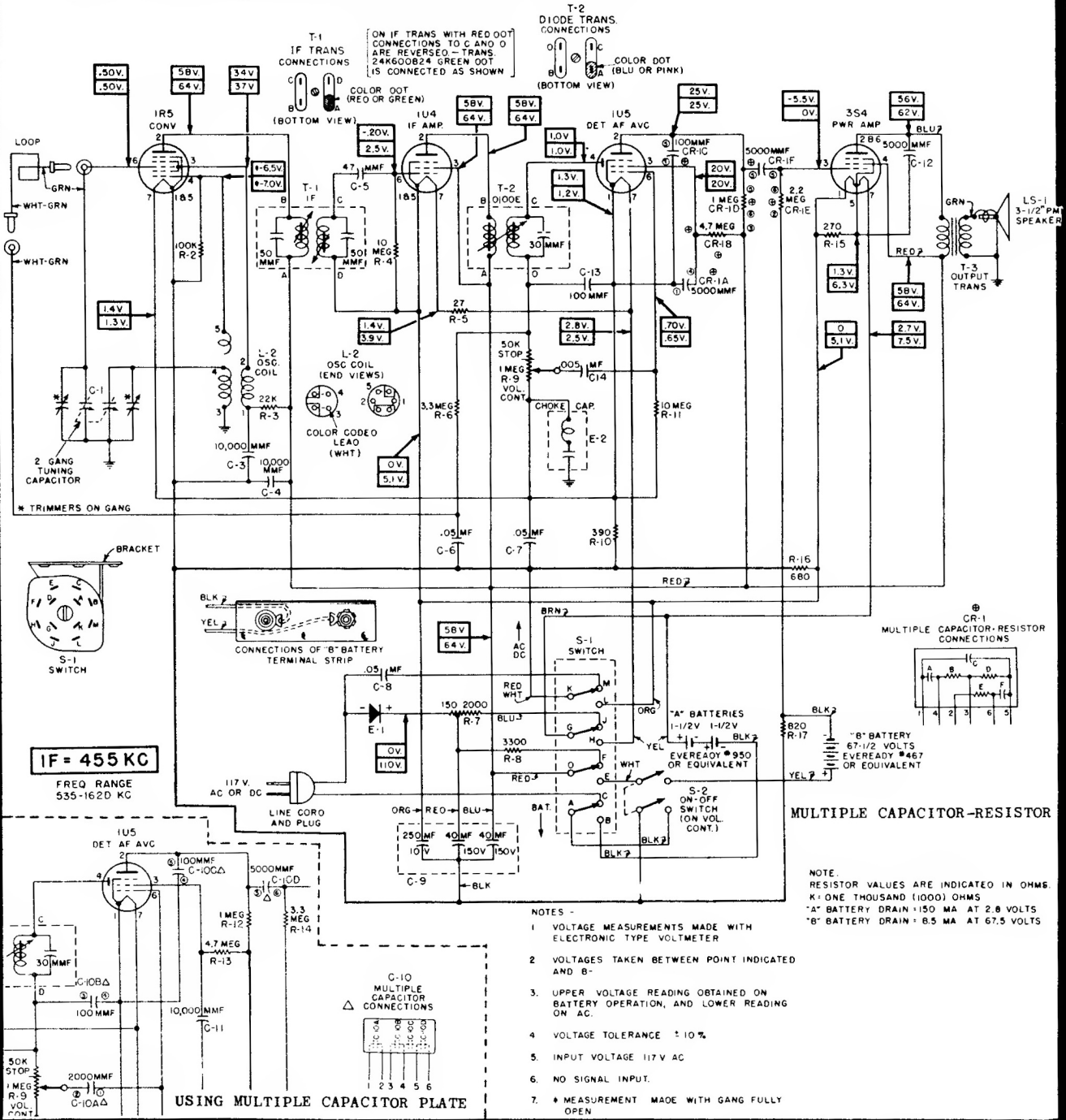


# Motorola HOME Radio

**MODELS**  
 5L1 5L1U  
 5L2 5L2U  
 51L1U 51L2U  
 5J1 5J1U  
 5J2 5J2U

**CHASSIS**  
**HS-224**  
**HS-250**

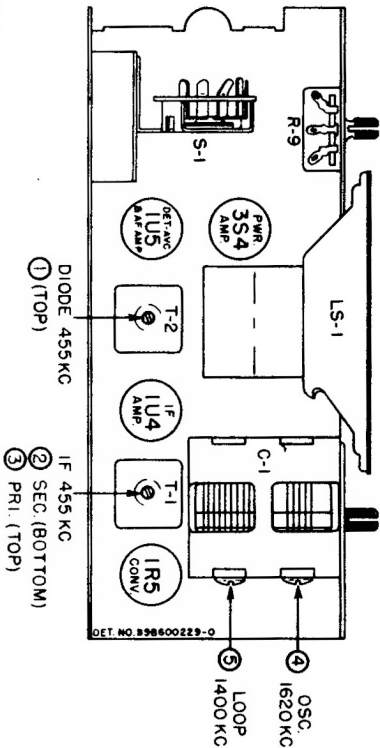
The models listed at right with the suffix "U" use Chassis HS-224, the other models use Chassis HS-250. The circuit shown is exact for HS-250 using multiple capacitor-resistor plate. The insert diagram in the lower left hand corner shows differences in the HS-250 for a multiple capacitor plate. Chassis HS-224 uses both types of plates and differs from HS-250 in physical assembly and some circuit elements.



- NOTES -**
- 1 VOLTAGE MEASUREMENTS MADE WITH ELECTRONIC TYPE VOLTMETER
  - 2 VOLTAGES TAKEN BETWEEN POINT INDICATED AND B-
  - 3 UPPER VOLTAGE READING OBTAINED ON BATTERY OPERATION, AND LOWER READING ON AC.
  - 4 VOLTAGE TOLERANCE ± 10%
  - 5 INPUT VOLTAGE 117 V AC
  - 6 NO SIGNAL INPUT.
  - 7 \* MEASUREMENT MADE WITH GANG FULLY OPEN

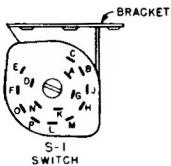
USING MULTIPLE CAPACITOR PLATE

MULTIPLE CAPACITOR-RESISTOR

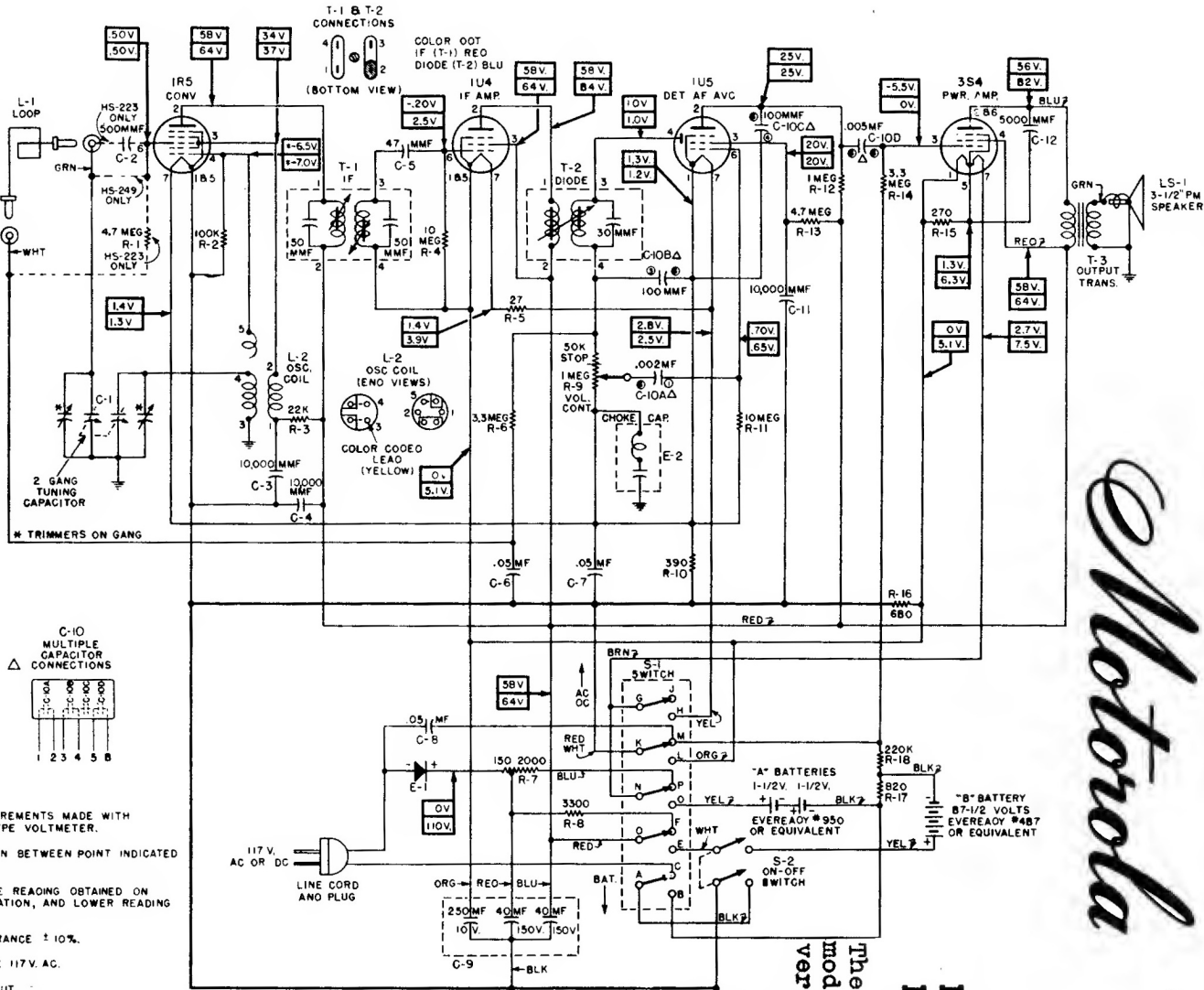


**IF = 455 KC**

FREQ. RANGE  
535-1620 KC.



NOTE:  
RESISTOR VALUES ARE INDICATED IN OHMS.  
K: ONE THOUSAND (1000) OHMS.  
"A" BATTERY ORAIN = 150 MA AT 2.8 VOLTS.  
"B" BATTERY ORAIN = 8.5 MA AT 67.5 VOLTS.



*Motorola*

**MODELS**  
SM1  
SM1U  
SM2  
SM2U  
**CHASSIS**  
HS-223  
HS-249

The following models are very similar:  
5L1, 5L1U  
5J1, 5J1U  
Chassis HS-224, HS-250.