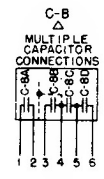
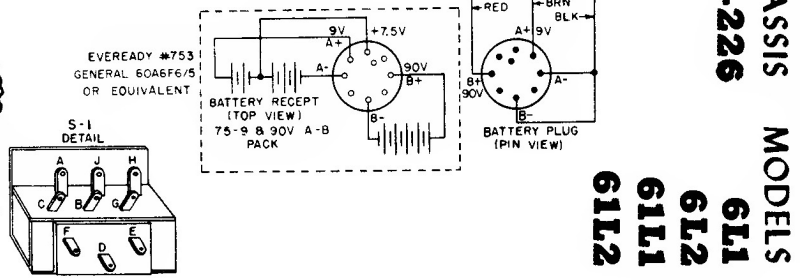
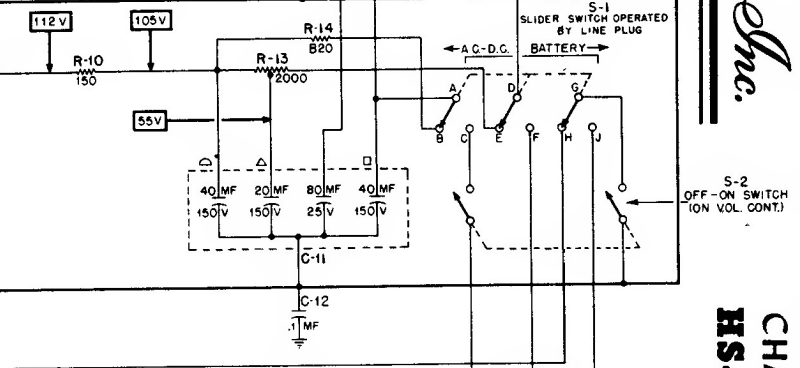
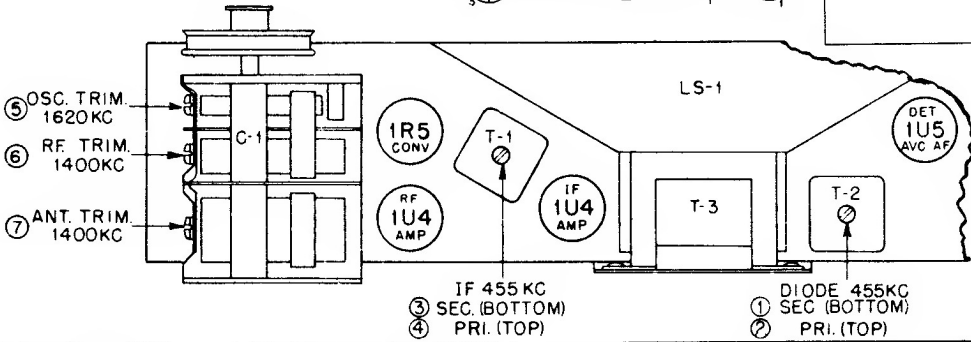
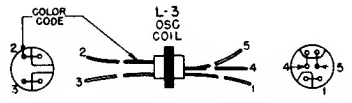


NOTE: 1. VOLTAGE MEASUREMENTS MADE WITH ELECTRONIC TYPE VOLTMETER.
 2. VOLTAGES TAKEN BETWEEN POINT INDICATED AND B-
 3. VOLTAGE TOLERANCE $\pm 10\%$
 4. INPUT VOLTAGE 117 V. A.C.
 5. NO SIGNAL INPUT
 6. * MEASUREMENTS MADE WITH GANG FULLY OPEN.
 * TRIMMERS ON GANG.
 ALL RESISTORS INDICATED IN OHMS, K=1000 OHMS.



IF = 455 KC
 FREQ RANGE
 535 - 1620 KC.



Motorola Inc.

CHASSIS
HS-226

MODELS
**6L1
 6L2
 6L12**