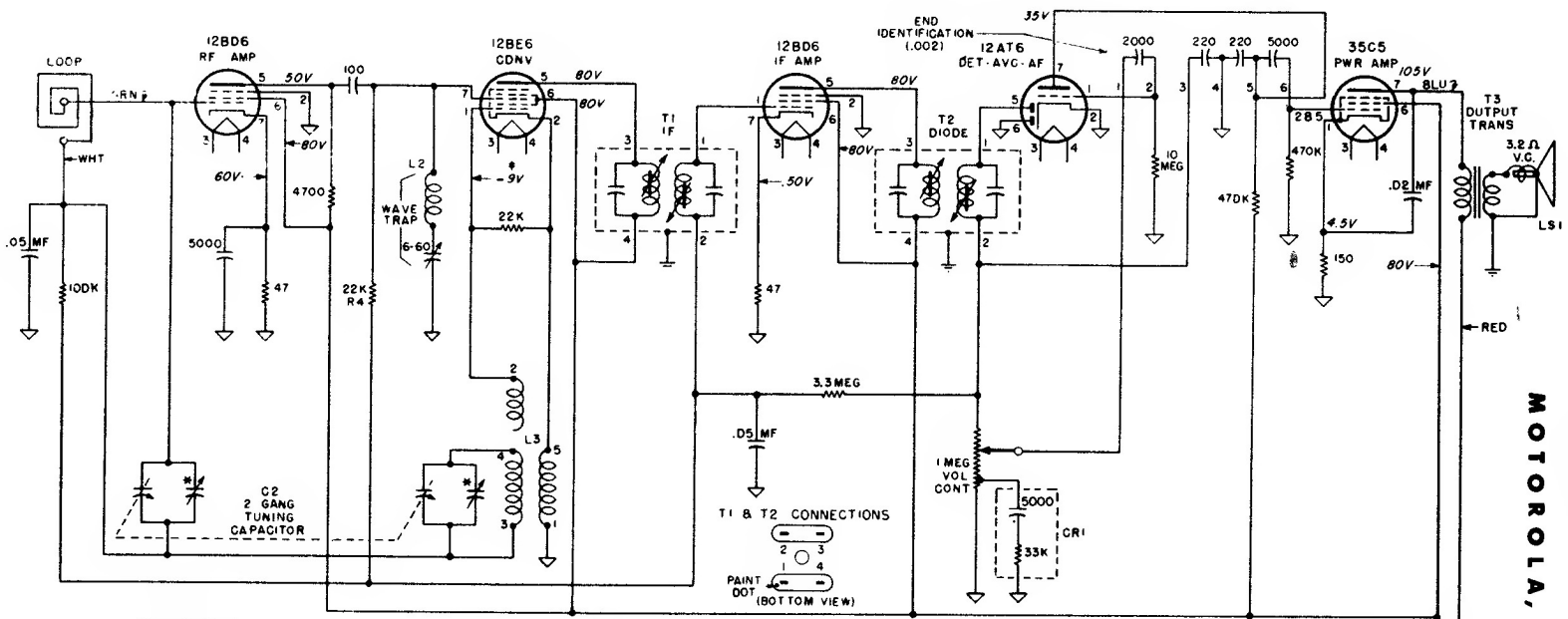


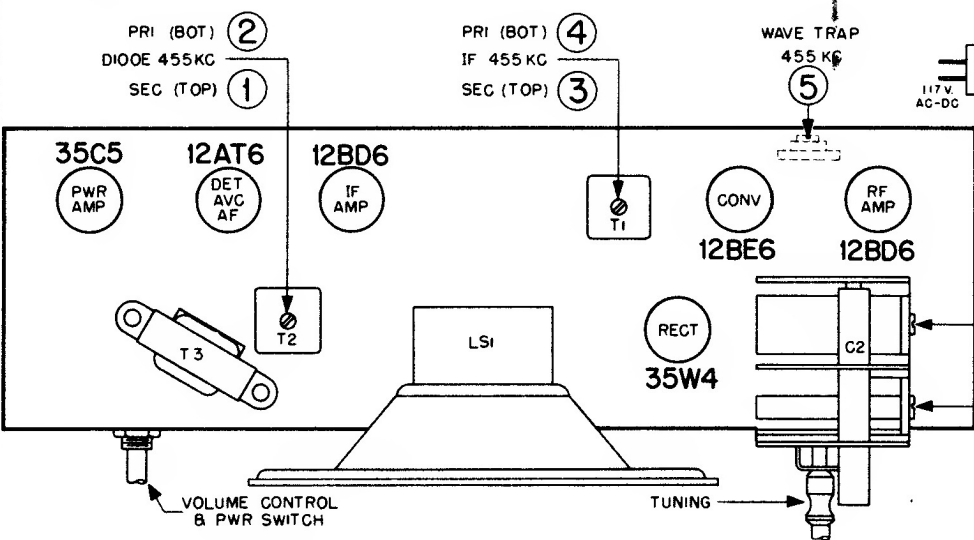
MOTOROLA, INC.

CHASSIS
HS-314

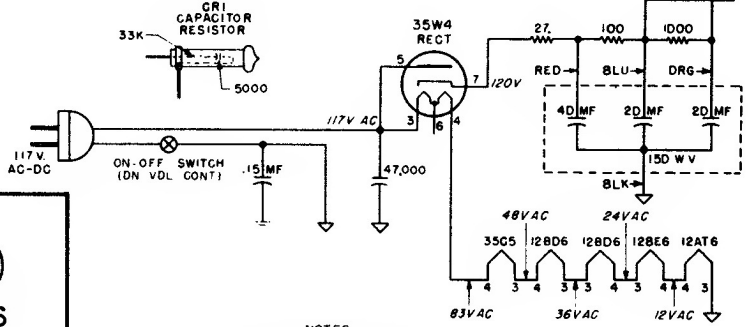
MODELS
62X11U
62X12U
62X13U



- TO REMOVE THE CHASSIS FROM THE CABINET**
1. Pull off the two control knobs.
 2. Remove split plugs which hold the loop to the cabinet.
 3. From the back of the cabinet, remove the two hex head screws at the rear edge of the radio chassis.
 4. Slide the radio chassis and loop from the cabinet.



TUBE AND TRIMMER LOCATIONS



NOTES

CAPACITORS ARE INDICATED IN MMF UNLESS OTHERWISE SPECIFIED

ALL RESISTORS INDICATED IN OHMS
K = ONE THOUSAND (1000) OHMS.

VOLTAGE MEASUREMENTS MADE WITH ELECTRONIC TYPE VOLTMETER

VOLTAGES TAKEN BETWEEN POINT INDICATED AND B-

VOLTAGE TOLERANCE ± 10 %

INPUT VOLTAGE 117 V AC.

NO SIGNAL INPUT

* MEASUREMENTS MADE WITH GANG FULLY OPEN.

* TRIMMERS ON GANG.

⊥ = CHASSIS GROUND

⚡ = B-

