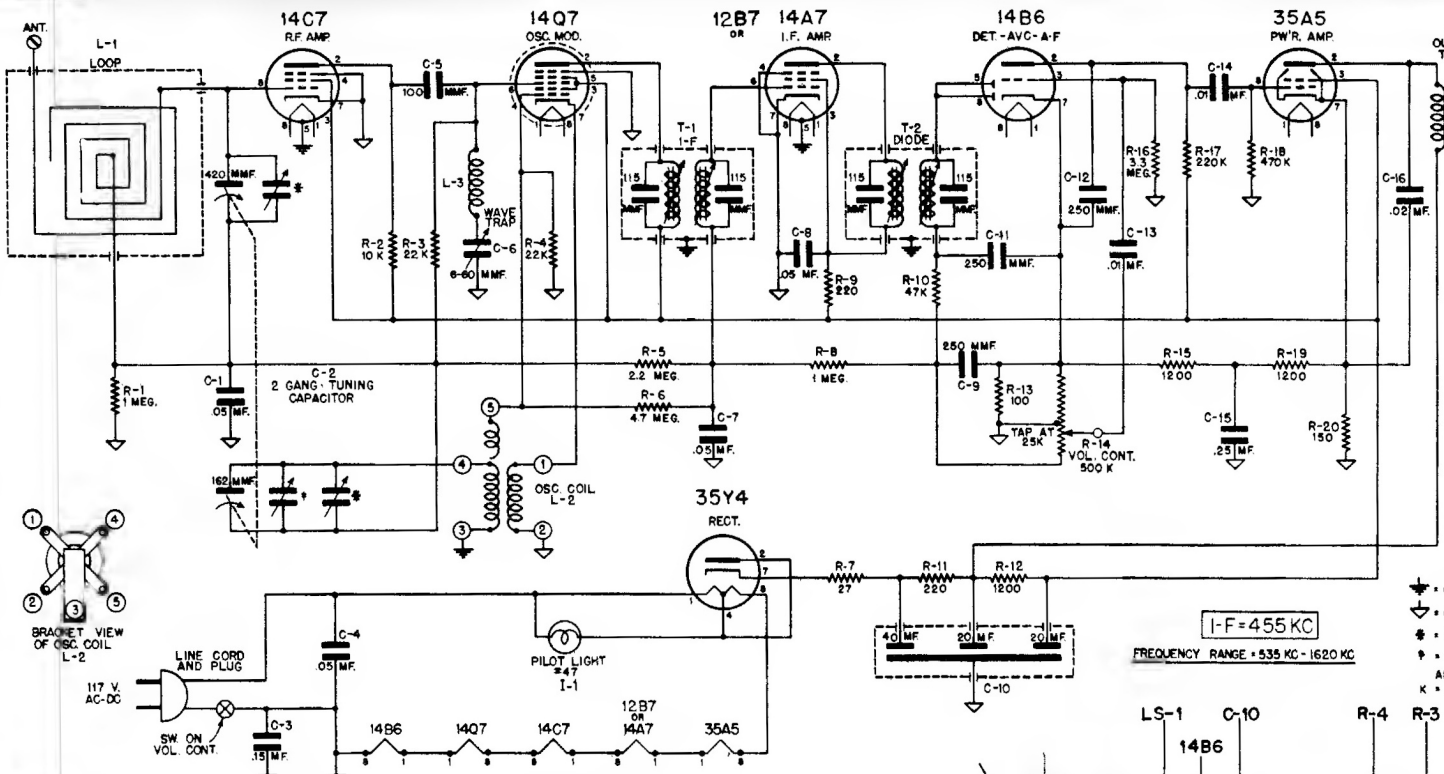


MOTOROLA INC.

MODELS 67X11, 67X12, & 67X13

CHASSIS
HS-58



NOTE

- ⊕ GROUND TO CHASSIS.
- ⊖ GROUND TO B-
- * TRIMMER ON GANG (TOP)
- ⬤ TRIMMER ON GANG (BOTTOM, DO NOT ADJUST)
- ALL RESISTORS ARE INDICATED IN OHMS
- K = 1000 OHMS

I-F = 455 KC

FREQUENCY RANGE = 535 KC - 1620 KC

