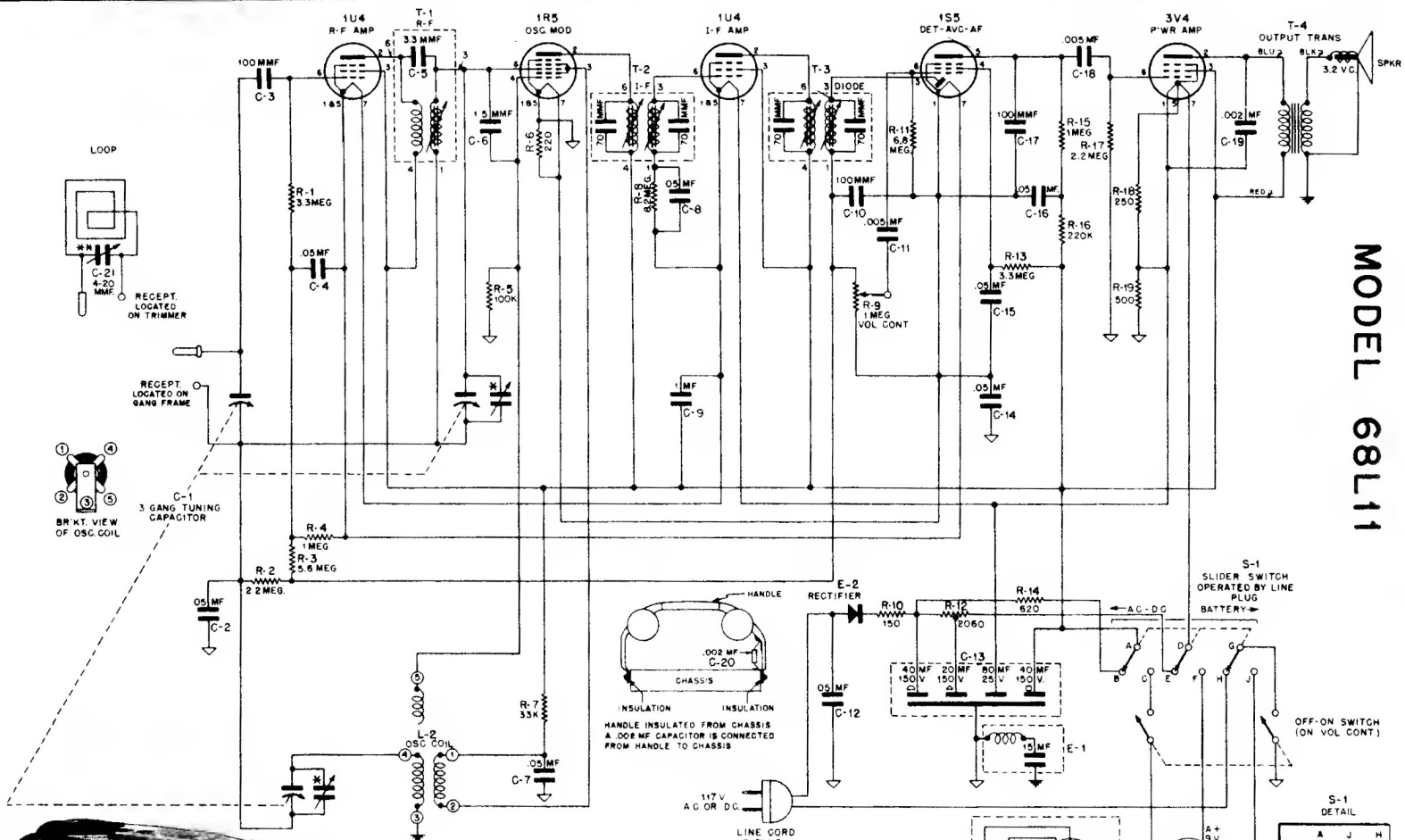


# Motorola HOME Radios

MODEL 68L11

CHASSIS  
HS-119

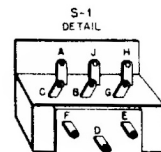
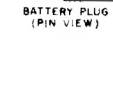
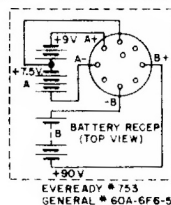
MOTOROLA INC.



NOTE:  
 \* N = TRIMMER LOCATED ON COVER  
 K = TRIMMERS ON GANG  
 ALL RESISTORS ARE INDICATED IN OHMS  
 K = ONE THOUSAND (1000) OHMS  
 ⊕ = GROUND TO CHASSIS  
 ⊕ = GROUND TO COMMON NEGATIVE

I-F = 455 KC.  
 FREQUENCY RANGE  
 535 KC TO 1620 KC

7.5 B 9-90 A-B  
 PACK



T-1, T-2 & T-3  
 TRANSFORMERS  
 LUG VIEW

