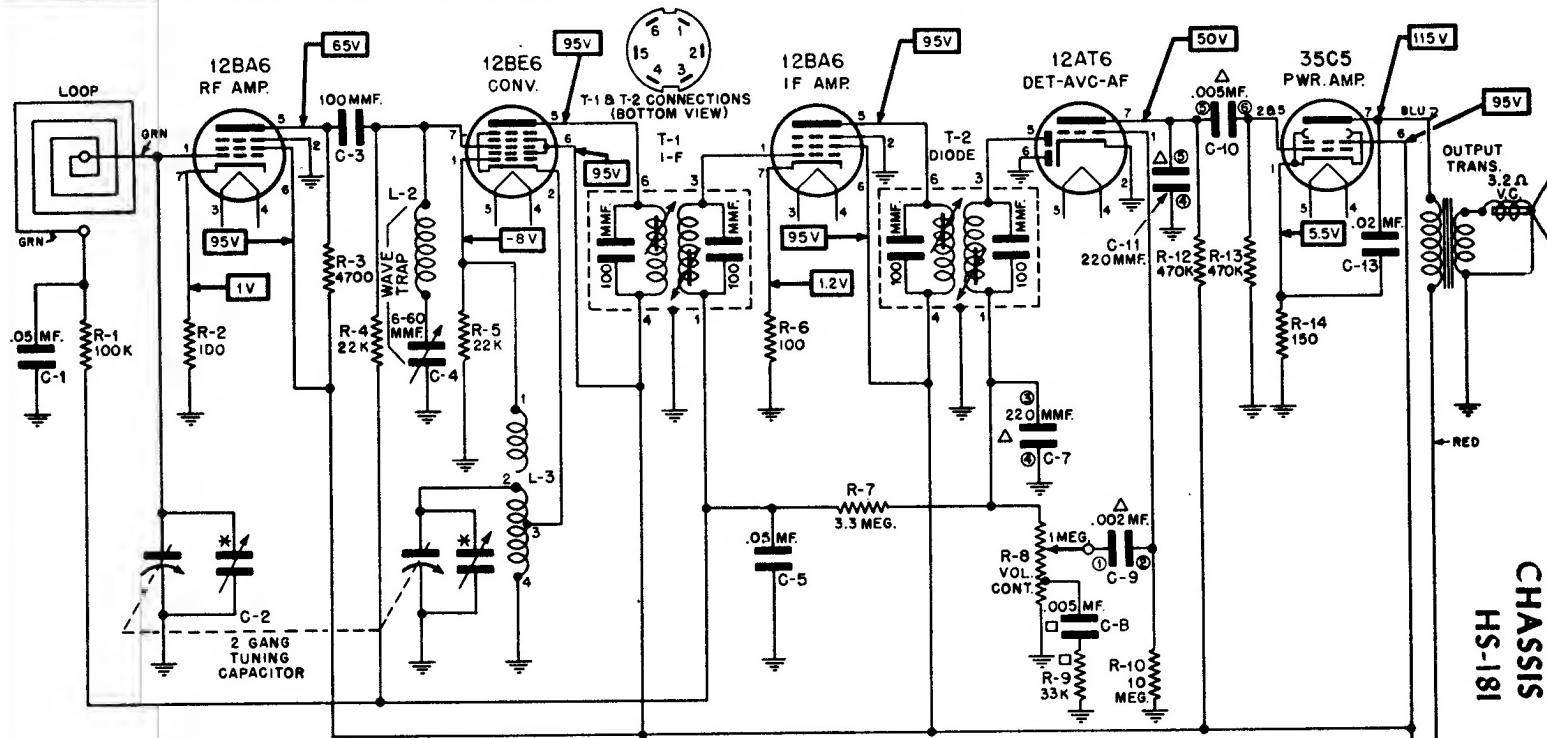


Motorola Inc.

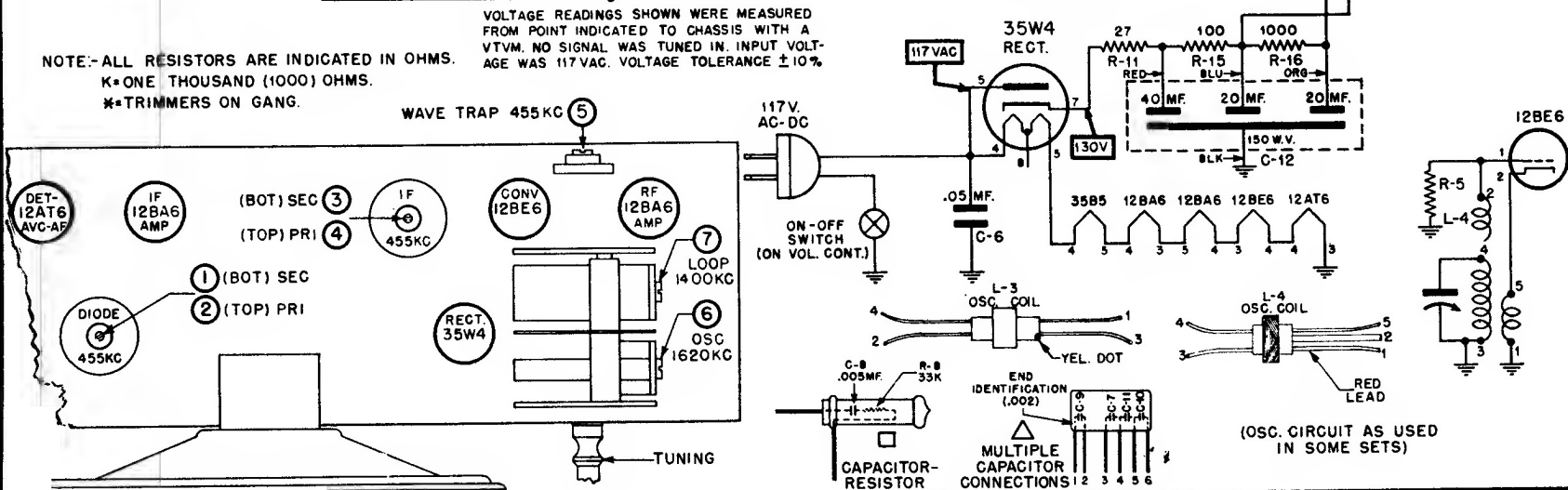
MODELS
69X11
69X12I
CHASSIS
HS-181



NOTE:- ALL RESISTORS ARE INDICATED IN OHMS.
K=ONE THOUSAND (1000) OHMS.
* = TRIMMERS ON GANG.

VOLTAGE READINGS SHOWN WERE MEASURED FROM POINT INDICATED TO CHASSIS WITH A VTVM. NO SIGNAL WAS TUNED IN. INPUT VOLTAGE WAS 117 VAC. VOLTAGE TOLERANCE $\pm 10\%$

WAVE TRAP 455 KC (5)



(OSC. CIRCUIT AS USED IN SOME SETS)