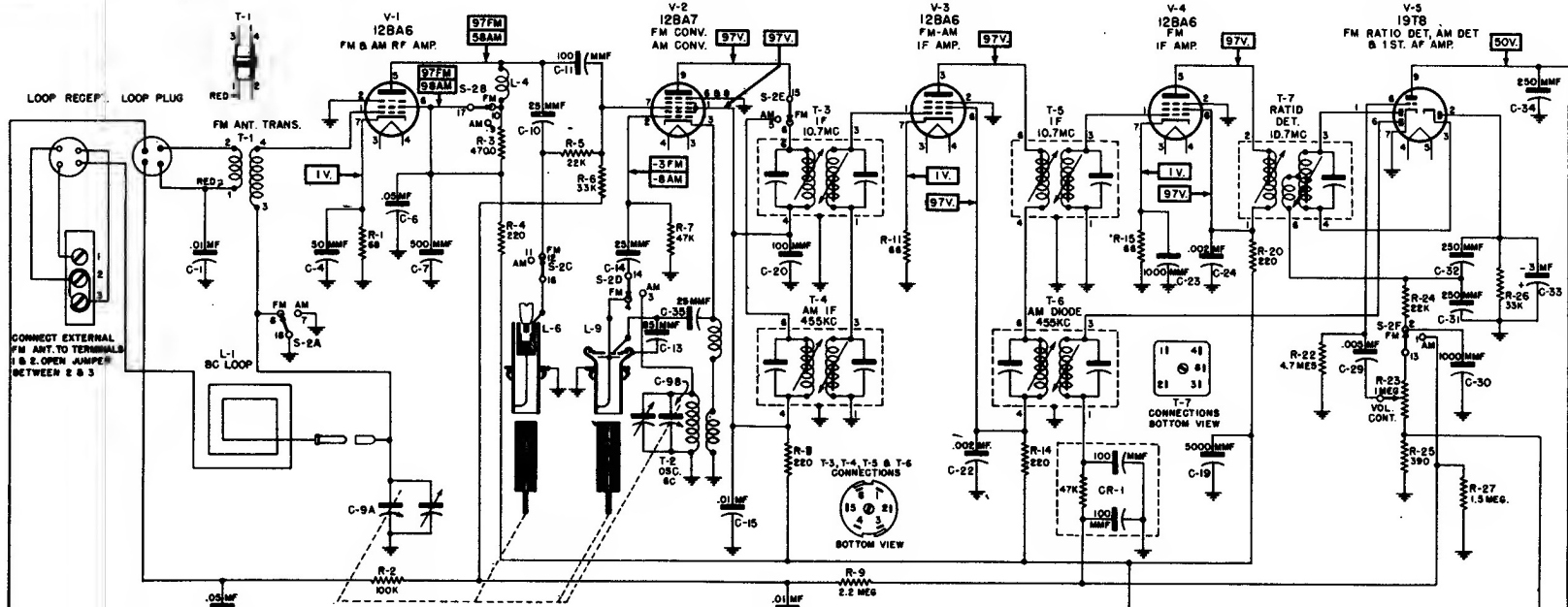


Motorola Inc.



AM 535 to 1620 Kc IF - 455 Kc
 FM 88 to 108 Mc IF - 10.7 Mc

NOTE: VOLTAGE READINGS SHOWN WERE TAKEN FROM POINTS INDICATED TO CHASSIS WITH A VTVM. BAND SWITCH IN FM POSITION EXCEPT AS NOTED NO SIGNAL WAS TUNED IN. INPUT TO SET 117 V. AC. VOLTAGE TOLERANCES ± 10%.

Chassis HS-178, Model 79FM21, -B, -R, are similar to circuit shown above.



TO REMOVE CHASSIS FROM CABINET

1. Remove the pointer by setting it to either end of the dial scale and then lift the tip slightly above top of the cabinet. Now grasp the pointer tip with the fingers and screw it out of the pointer shaft (similar to removing a screw).
2. Remove the control knobs; they pull off.
3. Remove the four screws and washers that hold the back cover to the cabinet and remove the back cover.
4. Remove the two screws that hold the chassis to cabinet and slide the chassis from the cabinet.

CHASSIS
HS-168

MODELS
79XM21
79XM22