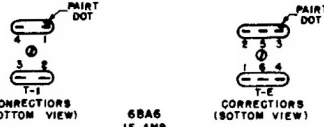
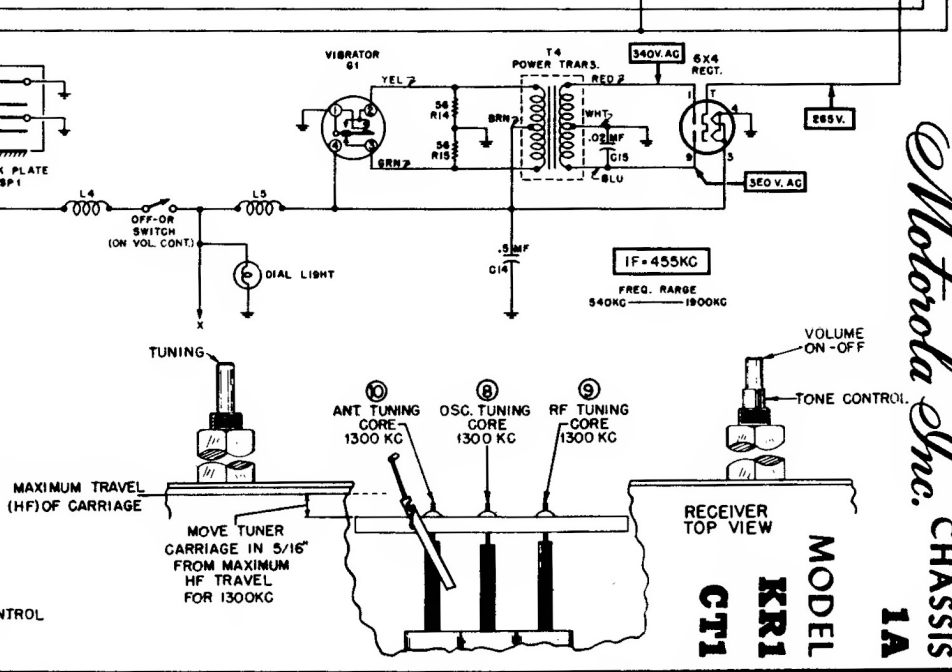
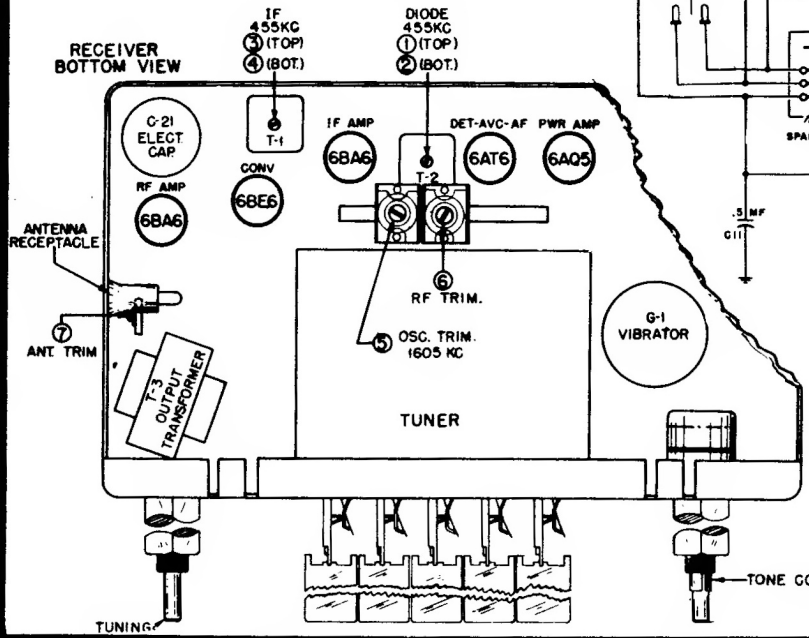
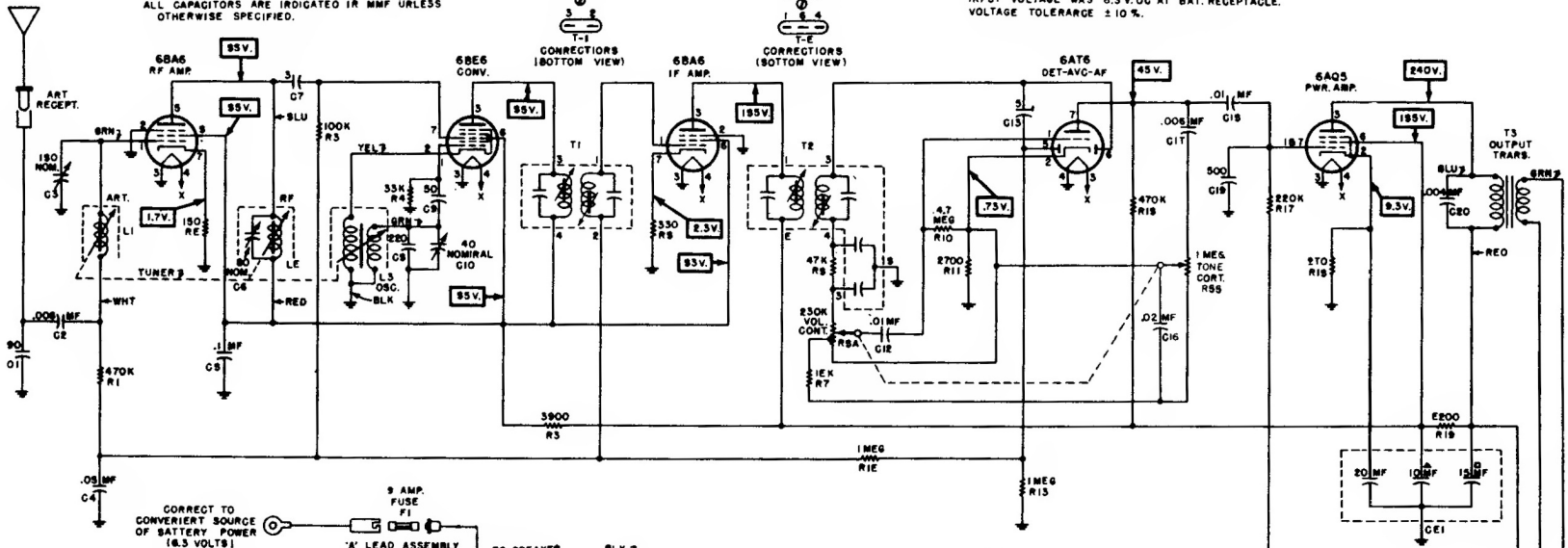


CHASSIS MODEL
1A
CT1
KR1

NOTES
 ALL RESISTORS ARE INDICATED IN OHMS.
 K = ONE THOUSAND (1000) OHMS.
 ALL CAPACITORS ARE INDICATED IN MMF UNLESS OTHERWISE SPECIFIED.



VOLTAGE READINGS SHOWN WERE MEASURED FROM POINT INDICATED TO CHASSIS GROUND WITH A VTVM. NO SIGNAL WAS TUNED IN. INPUT VOLTAGE WAS 6.3 V.DC AT BAT. RECEPTACLE. VOLTAGE TOLERANCE ± 10%.



Motorola Inc.
CHASSIS
MODEL
KR1
CT1
1A