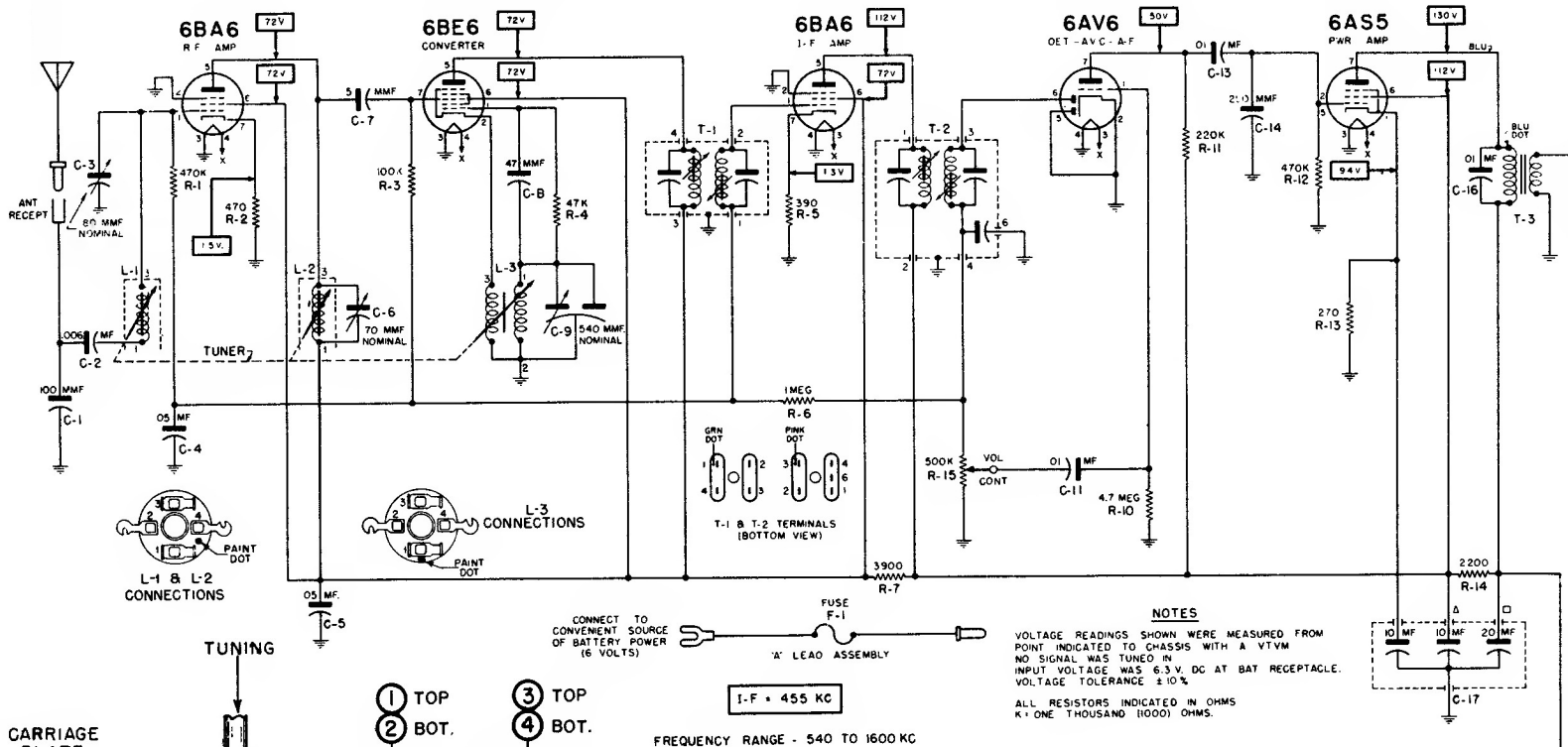


Motorola Inc.

CHASSIS
1B

MODEL
SR1B

Model CIM designed for 1951 Chevrolet
uses almost the identical circuit.



CONNECT TO
CONVENIENT SOURCE
OF BATTERY POWER
(6 VOLTS)

FUSE F-1

NOTES

VOLTAGE READINGS SHOWN WERE MEASURED FROM
POINT INDICATED TO CHASSIS WITH A VTVM
NO SIGNAL WAS TUNED IN
INPUT VOLTAGE WAS 6.3 V. DC AT BAT RECEPTACLE.
VOLTAGE TOLERANCE ± 10%
ALL RESISTORS INDICATED IN OHMS
K = ONE THOUSAND (1000) OHMS.

I-F = 455 KC

FREQUENCY RANGE - 540 TO 1600 KC

