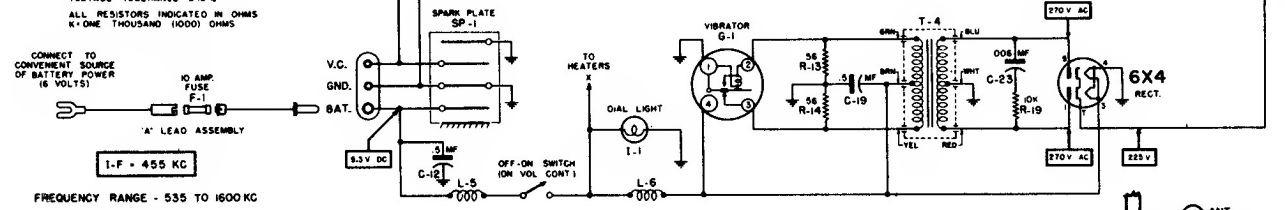


NOTES

VOLTAGE READINGS SHOWN WERE MEASURED FROM POINT INDICATED TO CHASSIS WITH A VTVM
 NO SIGNAL WAS TUNED IN
 INPUT VOLTAGE WAS 8.3 V. DC AT BAT RECEPTACLE.
 VOLTAGE TOLERANCE $\pm 10\%$
 ALL RESISTORS INDICATED IN OHMS
 K=ONE THOUSAND (1000) OHMS

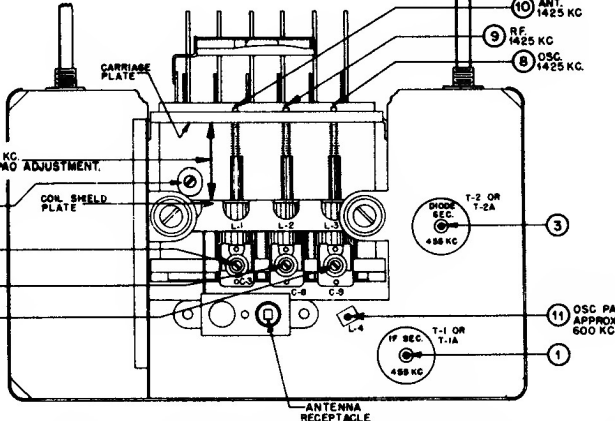


MODELS

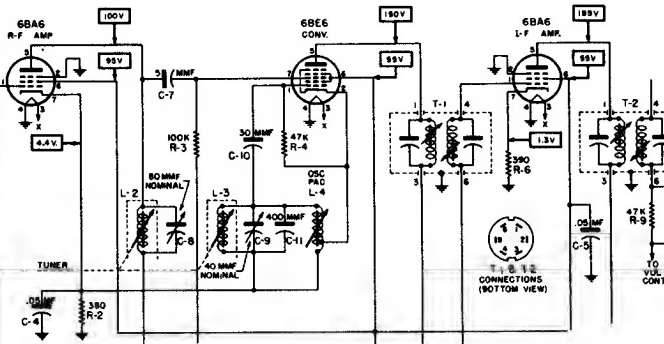
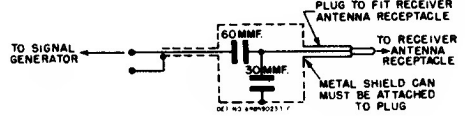
- BK0A
- CT8A
- GM9TA
- GMOT
- HNO
- ILOTG
- KR9A
- OEO
- PCO
- PC9A
- SR9A



CHASSIS 10A



SET TO 1-3/8" FOR 1425 KC.
 SET TO 17/32" FOR OSC. PAD ADJUSTMENT.



OLD IF CIRCUIT

