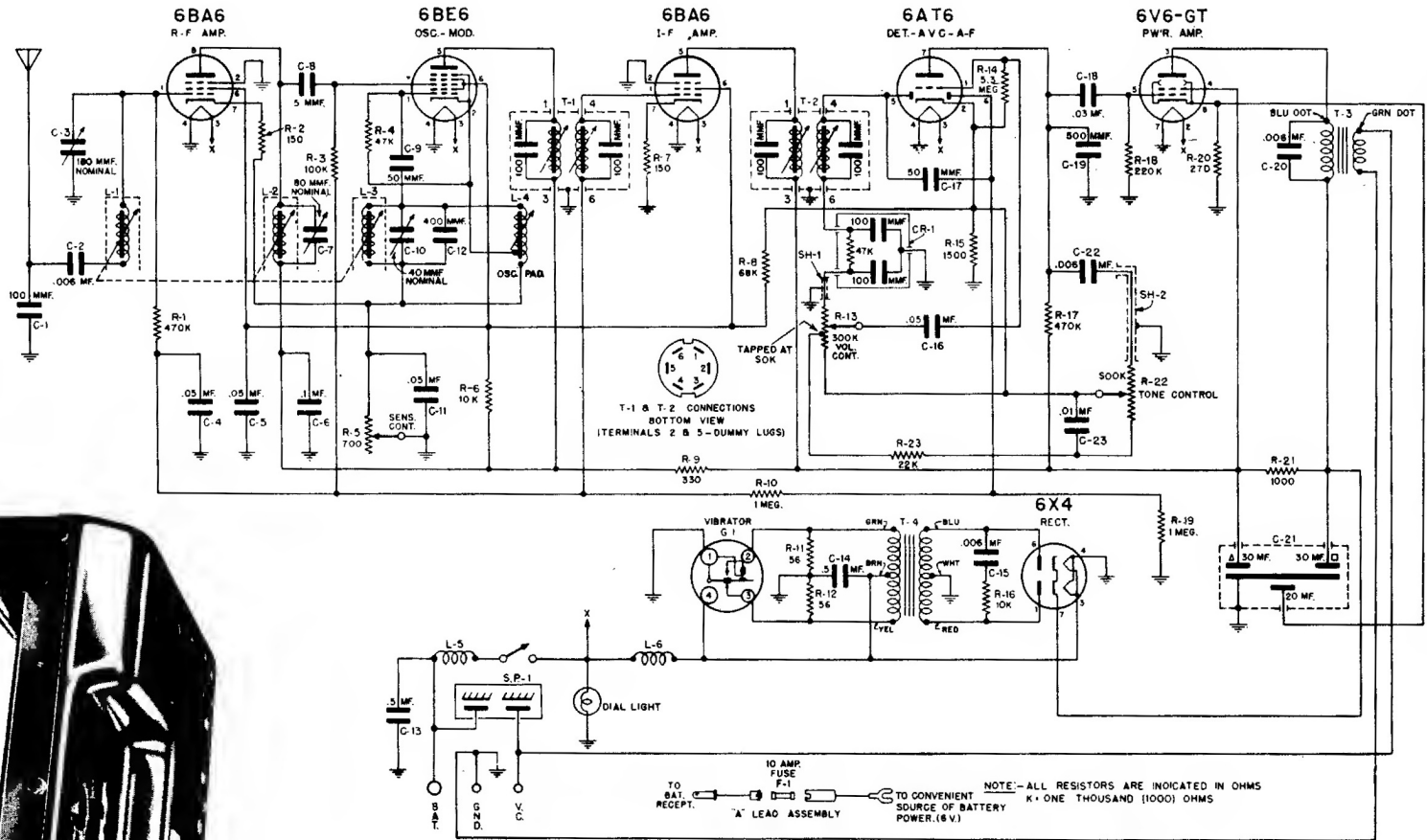
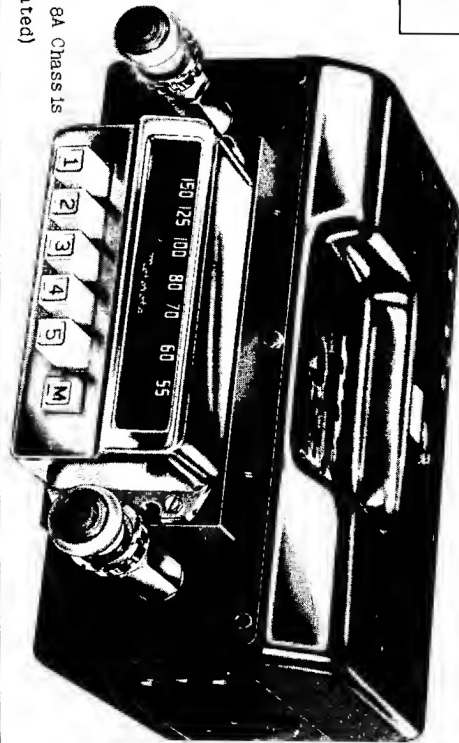


Typical Auto Receiver Using 8A Chassis
(Model CT8 Illustrated)



Motorola **AUTO** Radio

Motorola 8A Chassis is a 6-tube (including rectifier) automotive superheterodyne receiver. This chassis is universal and is used in Motorola Models FD8, CT8, NH8, OE2, OE8, SR8, SR6, BK8, BK8X, PC2, PC8, KR8, HN8, 8FDT, 8GMT, etc. An external speaker is used with these receivers.

TUNING RANGE - 535 to 1600 Kc

IF FREQUENCY - 455 Kc