

OLYMPIC RADIO

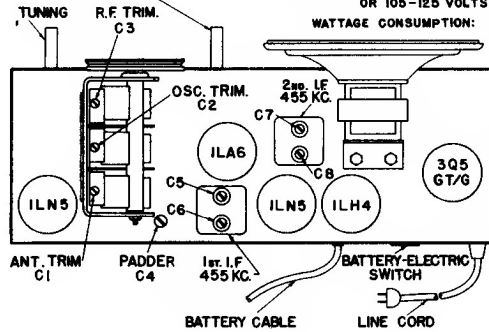
Hamilton Radio Corp.

Model 7-526

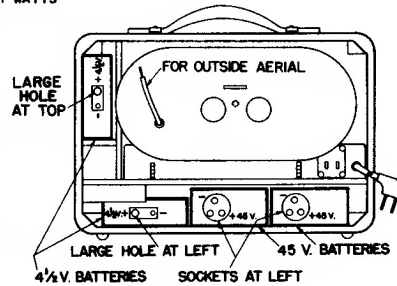
ALIGNMENT PROCEDURE CHART

STEP	CONNECT HIGH SIDE OF SIGNAL GENERATOR TO -	SET SIGNAL GENERATOR TO -	SET POINTER TO -	ADJUST THE FOLLOWING FOR MAXIMUM OUTPUT. (KEEP SIGNAL FROM SIGNAL GENERATOR AS LOW AS POSSIBLE.)
1	R.F. SECTION OF VARIABLE CONDENSER IN SERIES WITH .1 MFD. COND.	455 KC.	EXTREME RIGHT HAND POSITION. (CONDENSER PLATES FULLY OPEN.)	C8, C7, C6, C5 AND REPEAT IN SAME ORDER (1ST. AND 2ND. I.F. TRANSFORMERS.)
2	USE RADIATED SIGNAL	1500 KC.	1500-KC. (150 ON DIAL.)	C2, C3, C1 (OSCILLATOR, R.F. AND ANTENNA TRIMMERS)
3	(CONNECT BOTH SIDES OF SIGNAL GENERATOR TO RADIATION LOOP.)	600 KC.	600 KC. (APPROX. 60 ON DIAL.)	C4 (PADDER) ROCK DIAL FOR MAXIMUM SIGNAL
4				REPEAT STEPS 2 AND 3

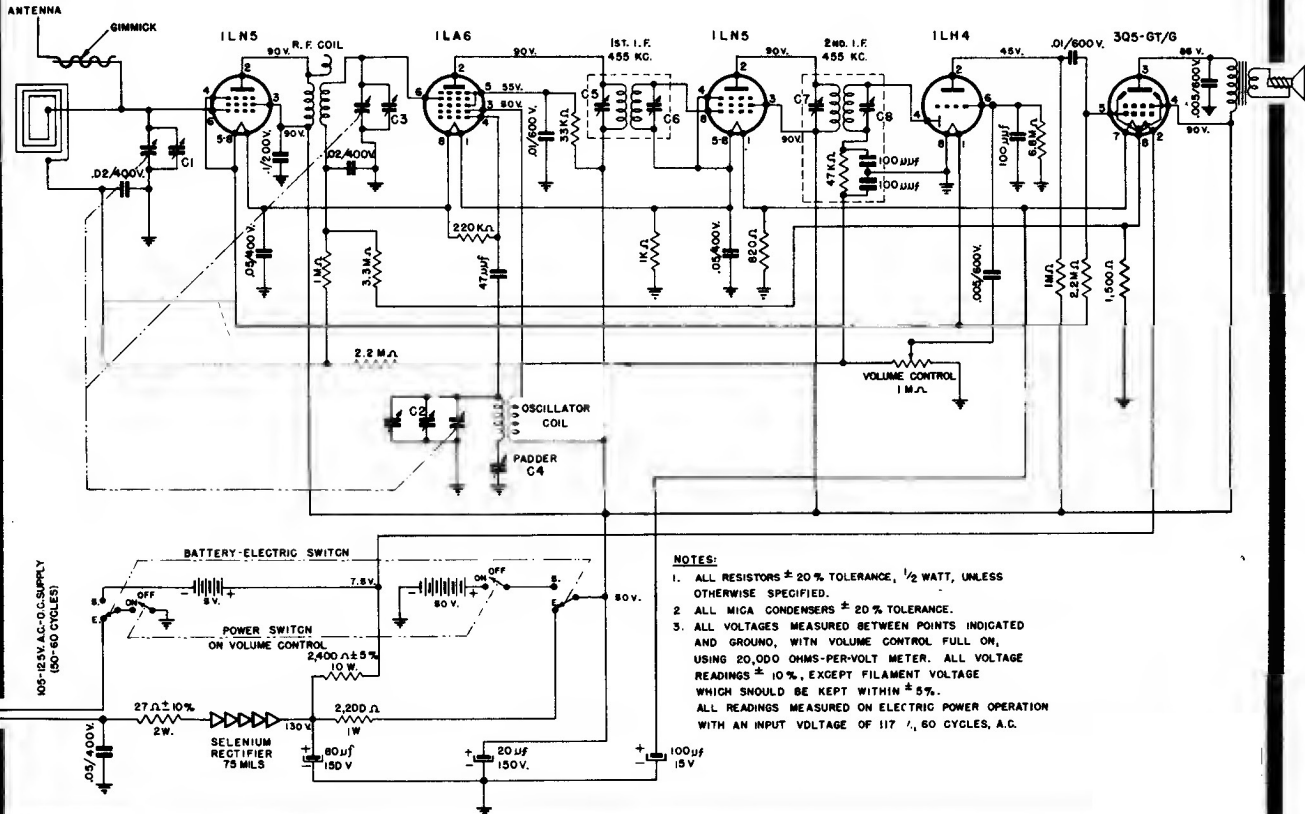
POWER SWITCH & VOLUME CONTROL
 5 TUBE + RECT., 3 WAY (A.C.-D.C.- BATTERY) PORTABLE
 LINE VOLTAGE FOR POWER OPERATION: 105-125 VOLTS A.C., 50 TO 60 CYCLES
 OR 105-125 VOLTS D.C.
 WATTAGE CONSUMPTION: 11 WATTS



TOP VIEW OF CHASSIS



REAR VIEW OF CABINET SHOWING PLACEMENT OF BATTERIES



NOTES:

1. ALL RESISTORS $\pm 20\%$ TOLERANCE, $\frac{1}{2}$ WATT, UNLESS OTHERWISE SPECIFIED.
2. ALL MICA CONDENSERS $\pm 20\%$ TOLERANCE.
3. ALL VOLTAGES MEASURED BETWEEN POINTS INDICATED AND GROUND, WITH VOLUME CONTROL FULL ON, USING 20,000 OHMS-PER-VOLT METER. ALL VOLTAGE READINGS $\pm 10\%$, EXCEPT FILAMENT VOLTAGE WHICH SHOULD BE KEPT WITHIN $\pm 5\%$. ALL READINGS MEASURED ON ELECTRIC POWER OPERATION WITH AN INPUT VOLTAGE OF 117 V., 60 CYCLES, A.C.