

TUBE VOLTAGE CHART

NOTE: VOLTAGES TAKEN FROM B- WITH V.T.V.M.—NO SIGNAL

STAGE GAIN MEASUREMENTS

- Standard Output . . . 50 mw
- Dummy Antenna01 mfd.
- Volume Control . . . Maximum
- Converter grid to 1st I.F. grid . . . 51 X at 1000 KC
- Converter grid to 1st I.F. grid . . . 65 X at 455 KC
- 1st I.F. grid to 2nd detector . . . 55 X at 455 KC
- Overall audio gain014V at 1S6 grid — 100 mw output 400 cycles

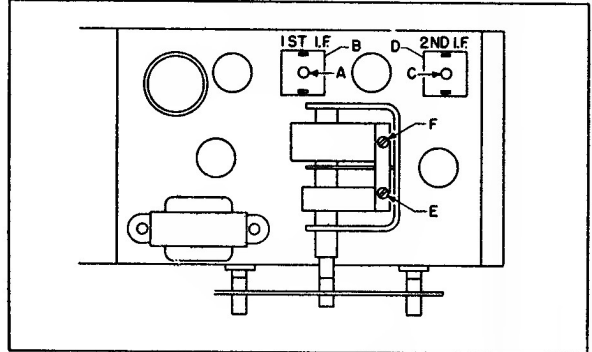
D.C. Resistance Measurements

- | | |
|-----------------------------|----------------------------|
| 1st I.F. Coil | Oscillator Coil |
| Primary 20 ohms | Primary 8 ohms |
| Secondary 20 ohms | Secondary 7 ohms |
| 2nd I.F. Coil | |
| Primary 15 ohms | |
| Secondary 15 ohms | |

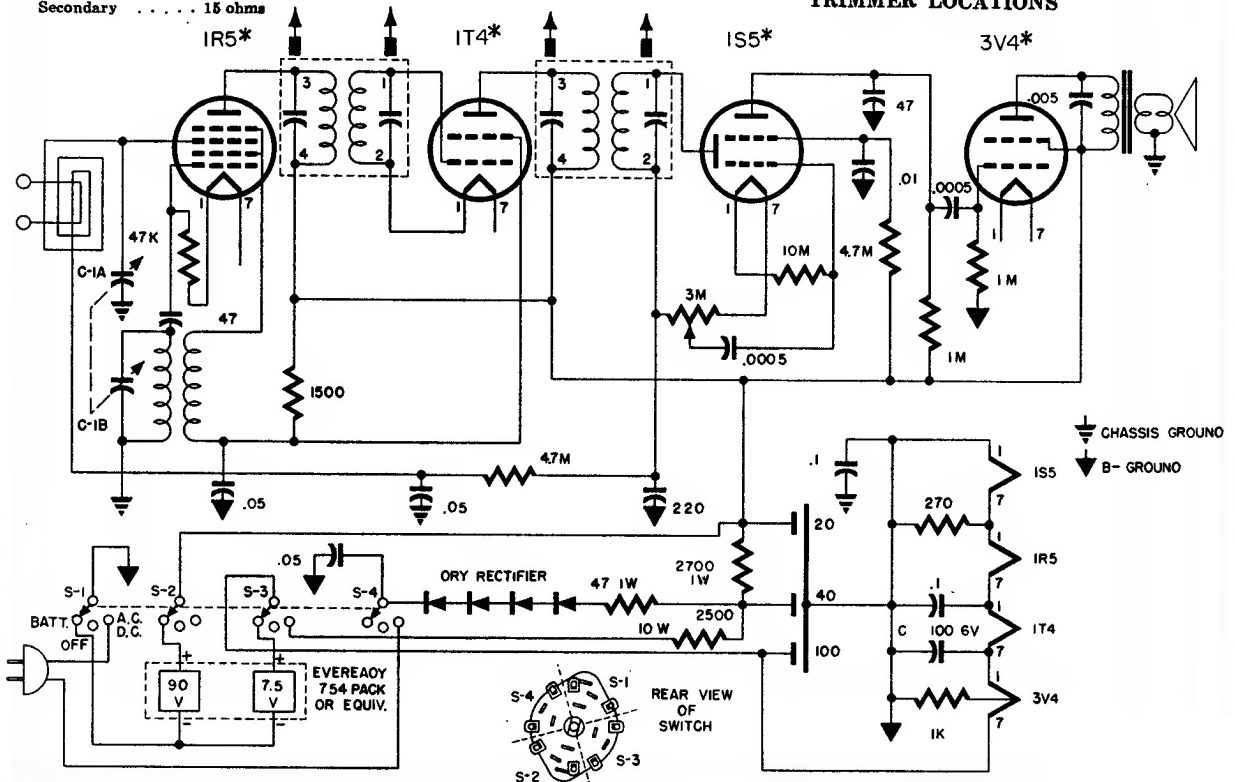
ALIGNMENT CHART

STEP	CONNECT TEST OSC. TO	TEST OSC. SETTING	POINTER SETTING	ADJUST FOR MAX. OUTPUT
1	Conv. Grid .01 Mfd. Dum. Ant.	455 KC	1620 KC	I.F. Trimmers A, B, C, D
2	Conv. Grid .01 Mfd. Dum. Ant.	1620 KC	1620 KC	Oscillator Trimmer E
3	*Standard Test Loop	1500 KC	1500 KC	Ant. Trimmer F
4	*Standard Test Loop	600 KC	600 KC	Loop
5	Repeat Step No. 3			

NOTE: Hazeltine Test Loop No. 1150 or equivalent.



TRIMMER LOCATIONS



* SUPPRESSOR GRIDS TIED INTERNALLY AND NOT SHOWN IN SCHEMATIC