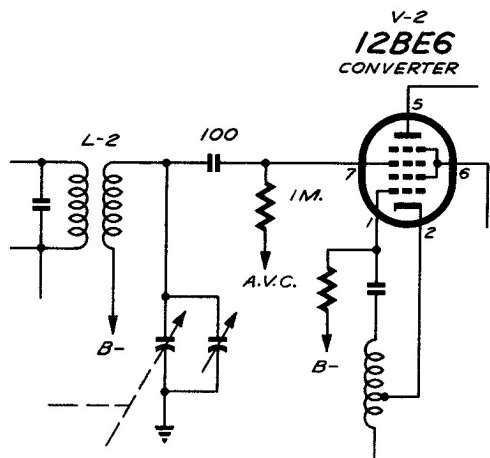
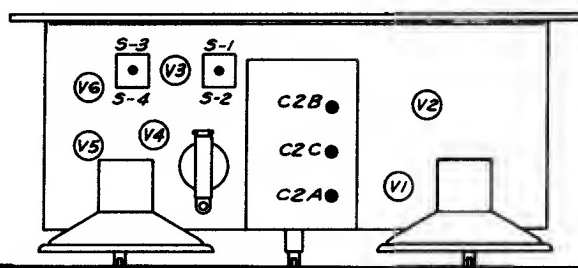
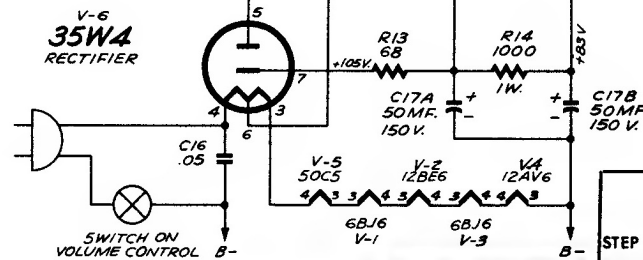


Packard-Bell
MODEL 631 RADIO



Portion of Schematic, Early Production. Capacitor, 100 mmf and Resistor, 1 megohm, later removed.



ALIGNMENT PROCEDURE:

CONNECT STEP	TEST OSCILLATOR TO	TEST OSCILLATOR FREQUENCY	RADIO DIAL SETTING	ADJUST
1.	Pin 7, V-2	455 Kc.	540 Kc.	S-1, S-2, S-3 & S-4 for MAX
2.	Antenna Clip	1620 Kc.	1620 Kc.	C2C for MAX
3.	Antenna Clip	1500 Kc.	Tune to Osc. Signal	C2A & C2B for MAX