

# Packard Bell

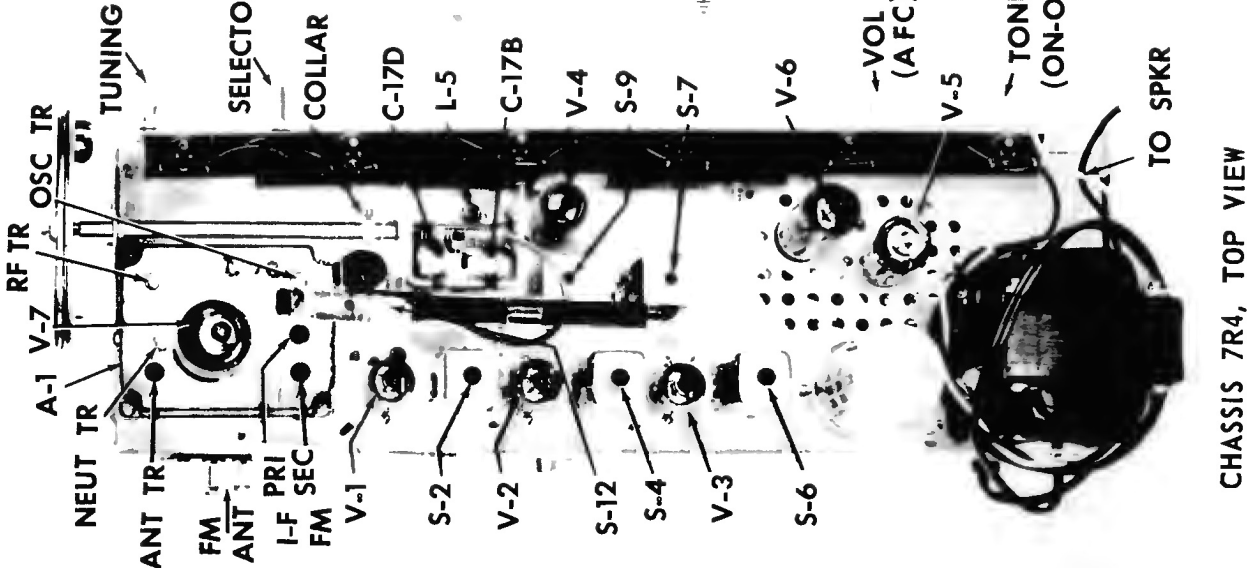
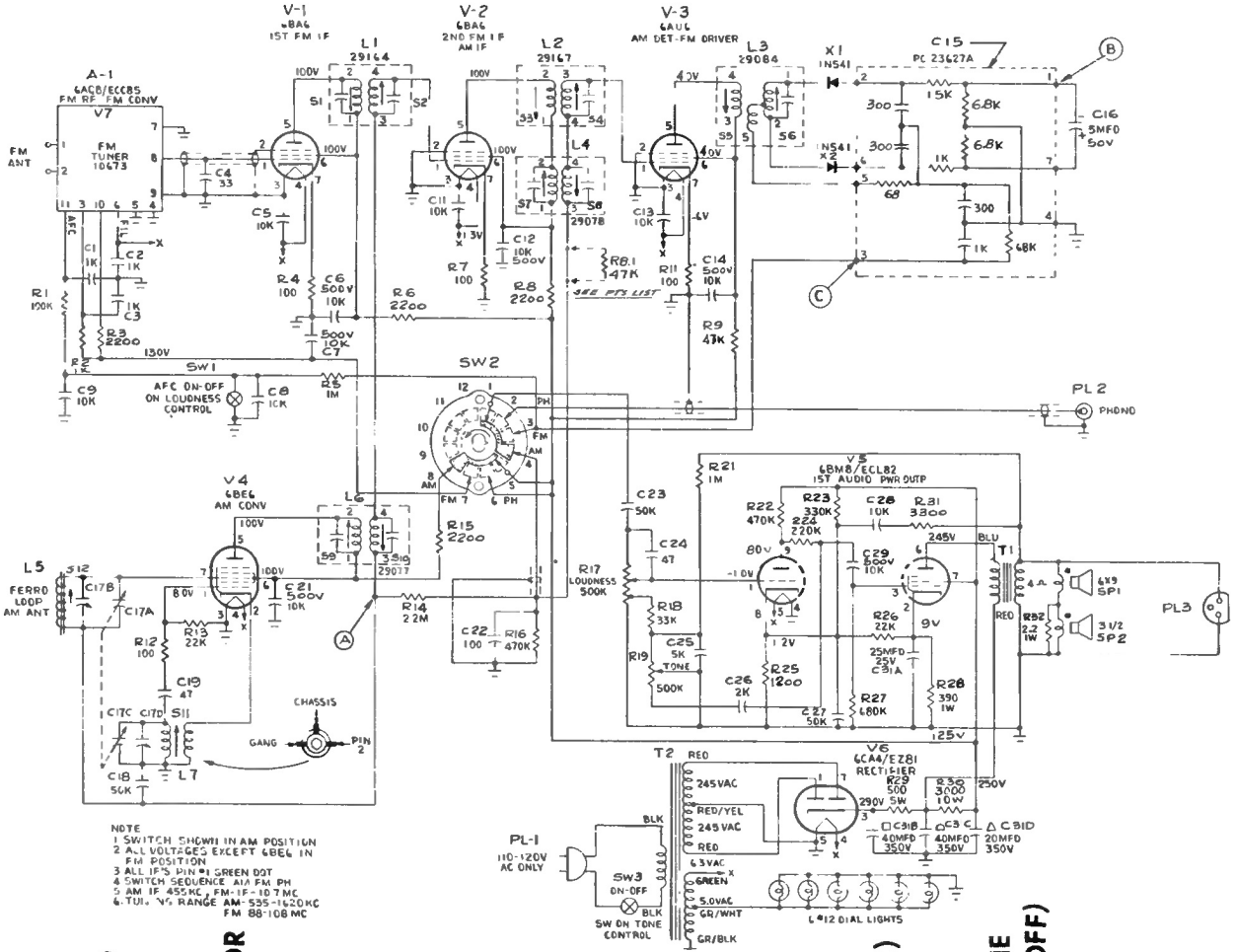
## MODEL 7R4 RADIO

Model 7R4 is an AM-FM radio receiver containing seven electron tubes and three crystal diodes. The FM section contains AFC circuitry. A phono input socket is provided at the rear of the set,

### Frequencies

AM radio: 530 kc to 1620 kc; I-F 455 kc

FM radio: 87.5 mc to 108.5 mc; I-F 10.70 mc



CHASSIS 7R4, TOP VIEW