

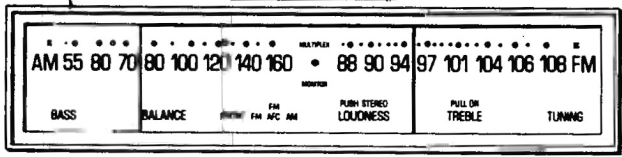
**Schematic Diagram, Chassis 8HF2**

**Intermediate Frequencies:**  
 AM Radio: 455 kc  
 FM Radio: 10.7 mc

**Model RC-1S** contains either chassis **8HF1** or chassis **8HF2**. These chassis are similar, each being an AM/FM radio receiver with built-in multiplex circuitry.

The major difference between the 8HF1 and 8HF2 is that the tube types of V-5 and V-6 differ, along with the associated circuitry.

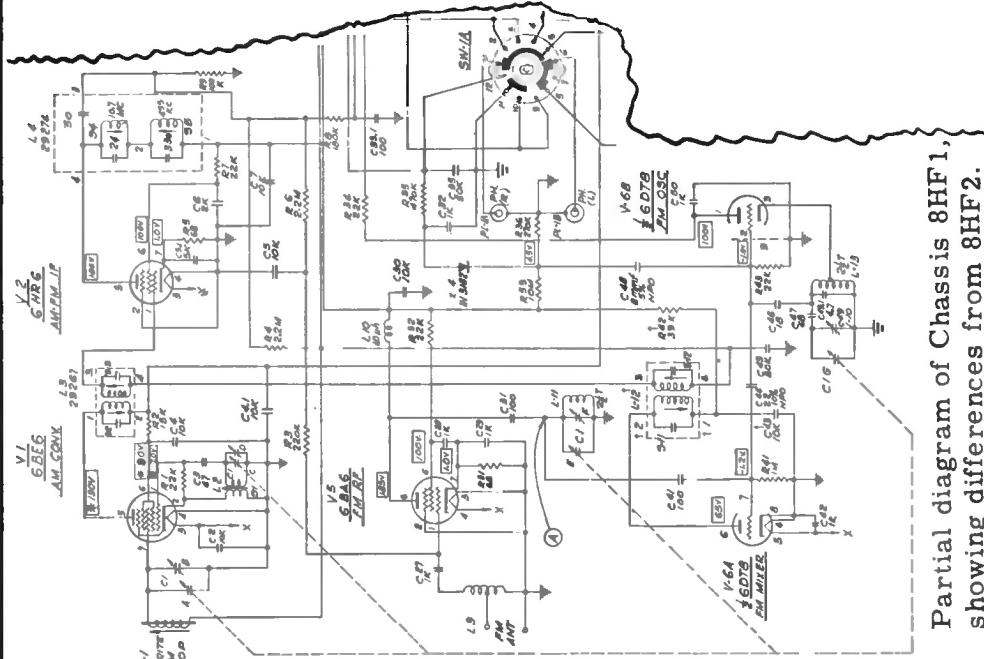
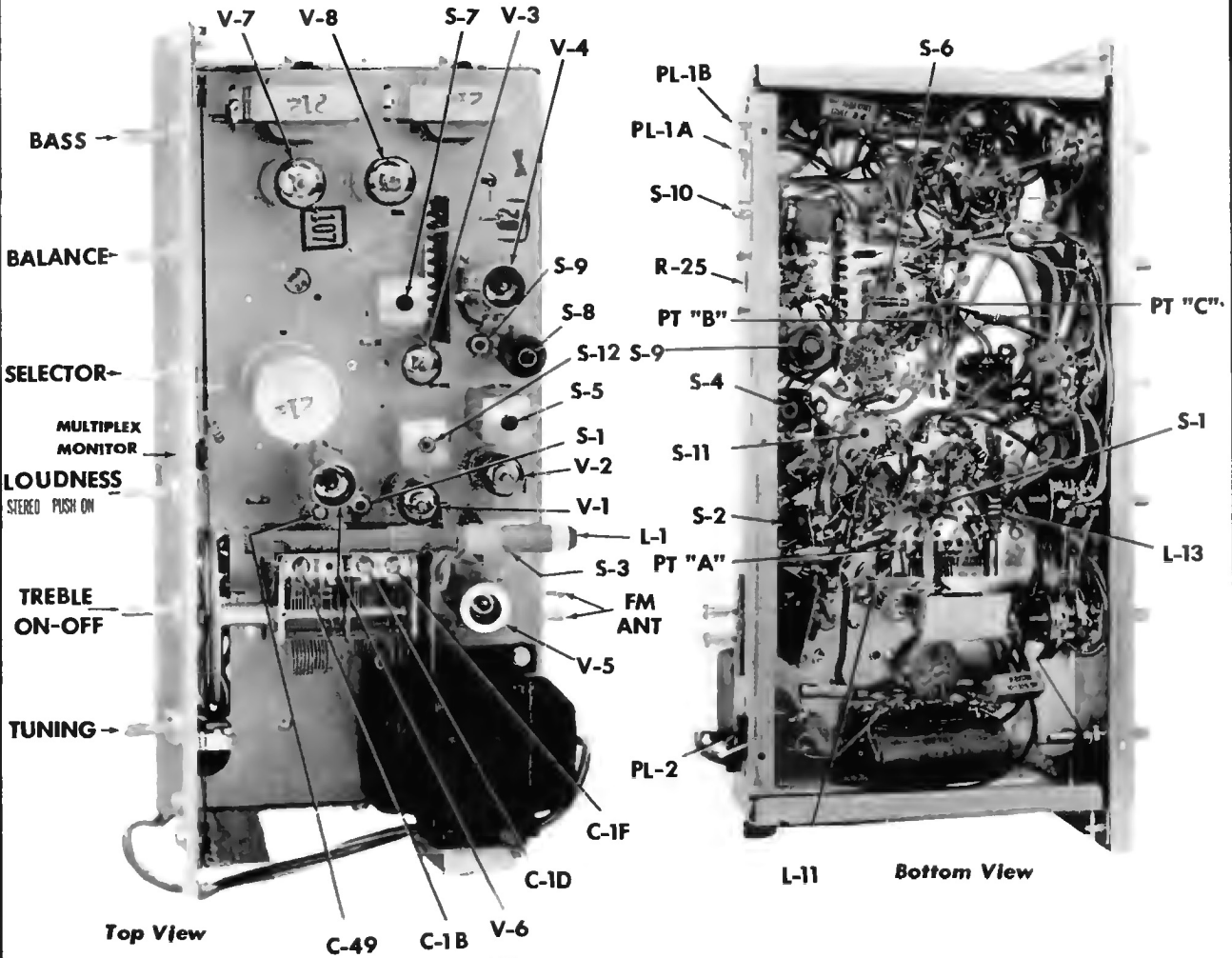
See schematics for details of differences.



**Control Panel, Model RC-1S**

# Packard Bell

Model RC-1S, Chassis 8HF1 or 8HF2



Partial diagram of Chassis 8HF1, showing differences from 8HF2.

**PRODUCTION MODIFICATION ON 8HF1**

- Capacitors C-9 and C-43 were changed from 2000 mmf to 10,000 mmf.
- Resistor R-42 was changed from 220,000 ohms to 39,000 ohms.
- Chassis stamped with the number 4104 (or a higher number) contain the production modification described above.
- MARKING FOR 8HF2 CHASSIS:**  
Models containing chassis 8HF2 are stamped with the number 4116.