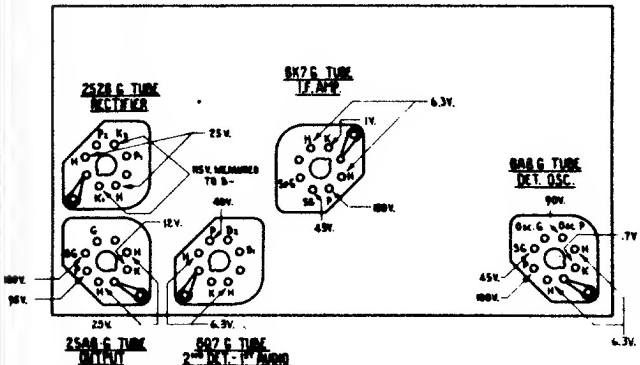
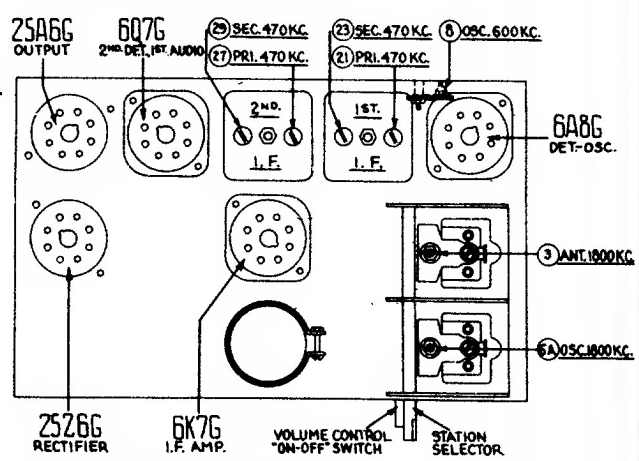
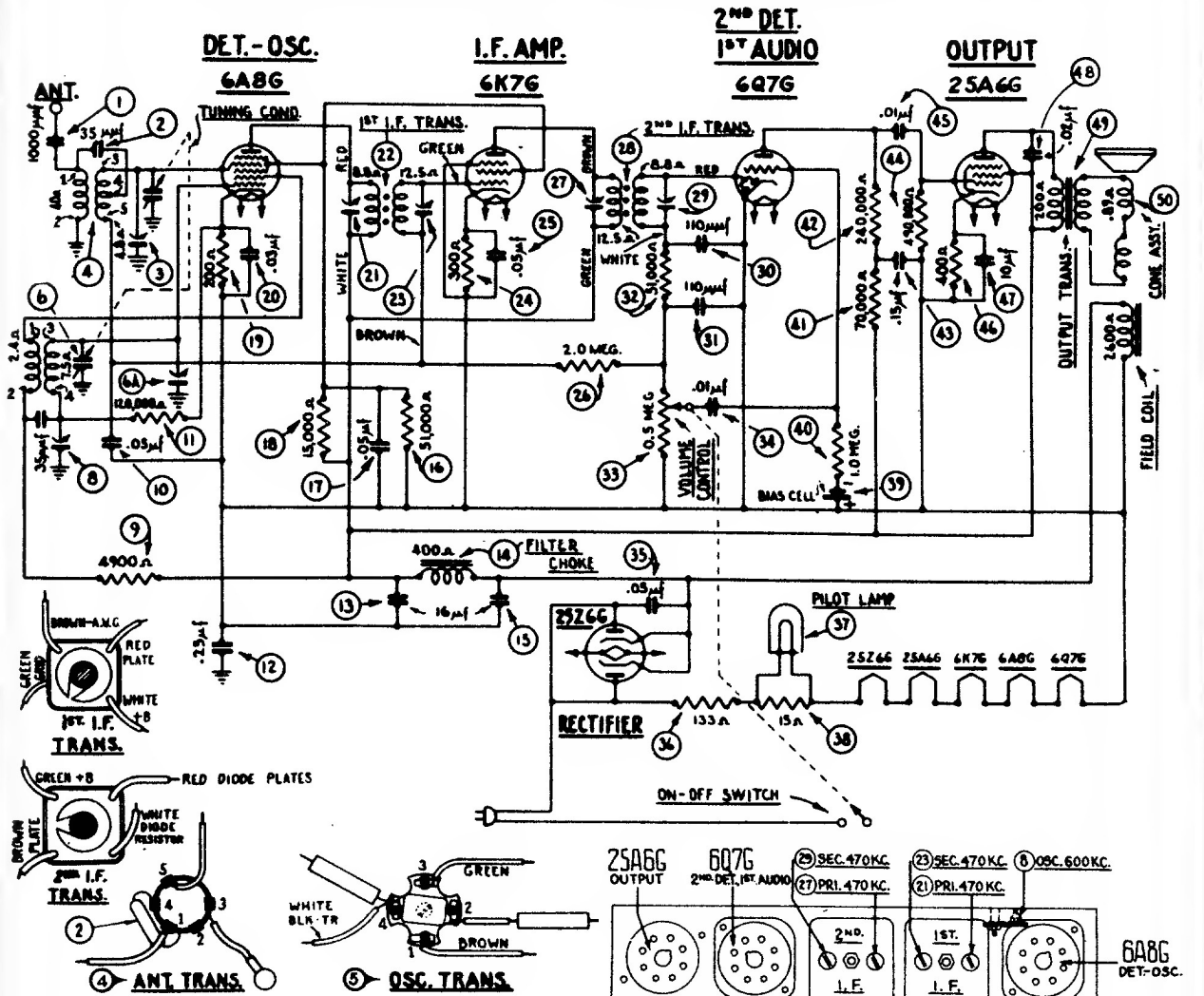


# PHILCO Model 37-602



Tube Sockets as viewed from underside of chassis. (Voltages measured from socket contacts to B—)

**TYPE CIRCUIT:** Superheterodyne with pentode output.  
**POWER SUPPLY:** 115 V., 25 or 60 cycle, A. C.; D. C.  
**TUBES USED:** 1 type 6A8G, Osc. Det., 1 type 6K7G I.F. Amplifier, 1 type 6Q7G, 2nd Det. 1st audio, 1 type 25A6G output, 1 type 25Z6G rectifier.  
**FREQUENCY RANGE:** 530--1800 K.C.  
**INTERMEDIATE FREQUENCY:** 470 K.C.  
**CURRENT CONSUMPTION:** 55 watts.  
**SPEAKER:** B-4.  
**POWER OUTPUT:** 3/4 watt.