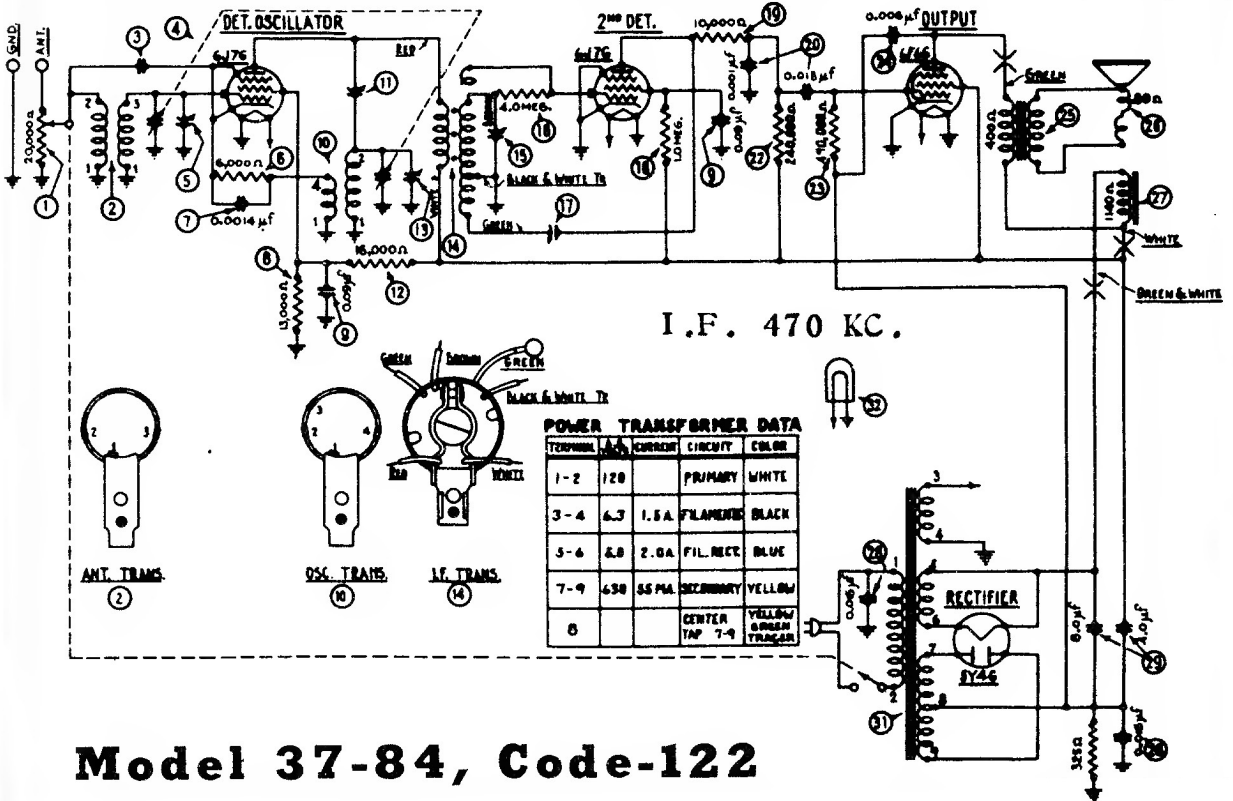
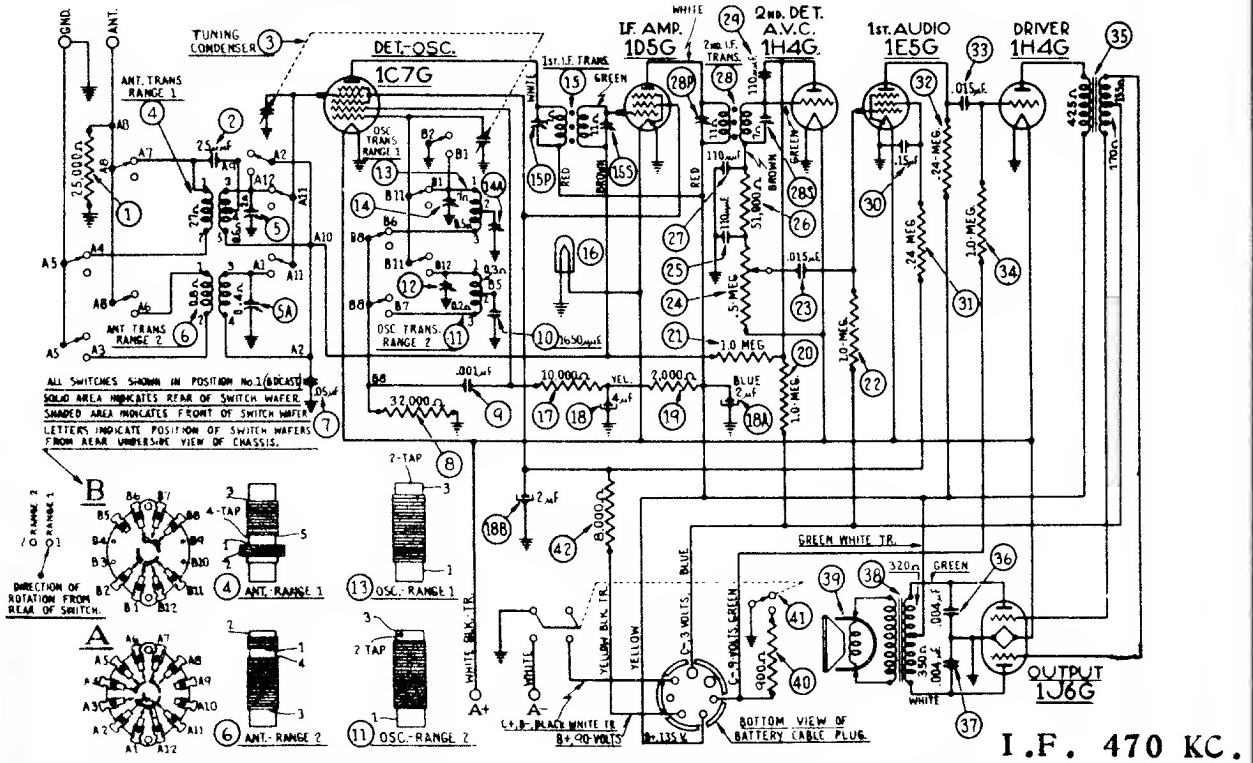


PHILCO

Model 37-38



Model 37-84, Code-122