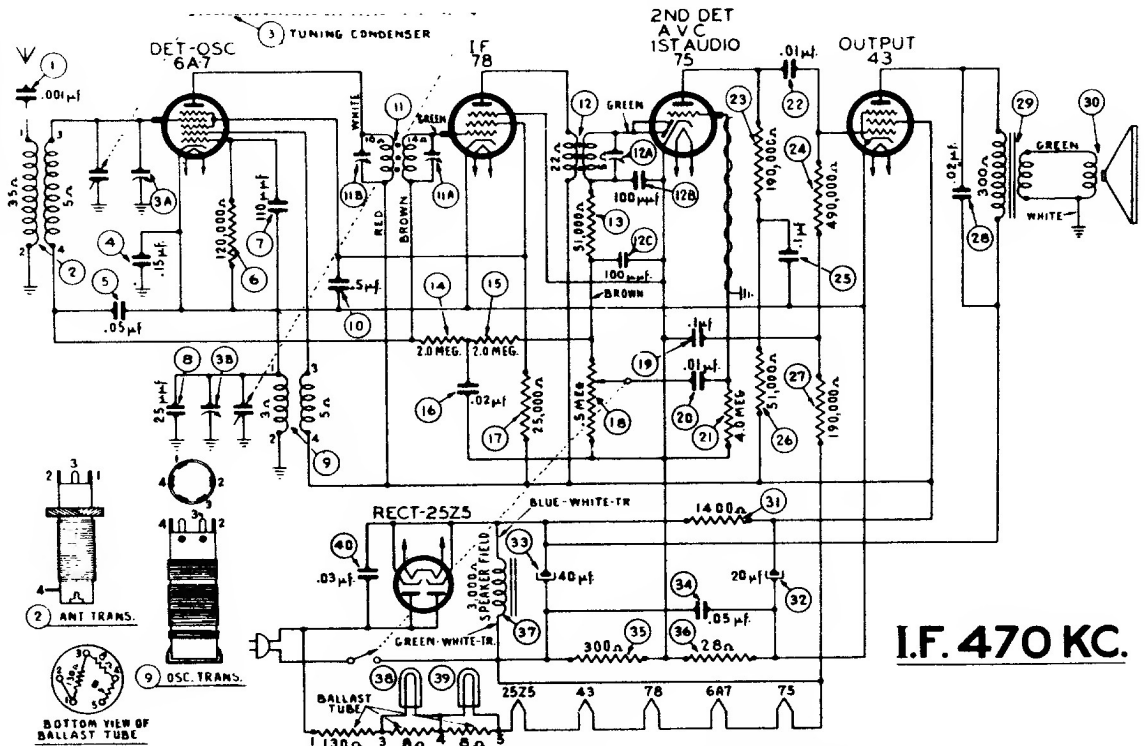


PHILCO

Model 39-18, Codes 121 & 122



Schem. No.	Description	Part No.
1	Condenser (.001 mfd. tubular)	30-4453
2	Antenna Transformer	32-3039
3	Tuning Condenser Assembly	31-2265
4	Condenser (.15 mfd. tubular)	30-4505
5	Condenser (.05 mfd. tubular)	30-4519
6	Resistor (120,000 ohms, 1/2 watt)	33-412339
7	Condenser (.110 mmf., mica)	30-1031
8	Condenser (25 mmf., silver plated mica)	30-1112
9	Oscillator Transformer	32-3040
10	Condenser (.5 mf., tubular)	30-4551
11	1st I. F. Transformer Assembly	32-3075
12	2nd I. F. Transformer Assembly	32-2944
13	Resistor (51,000 ohms, 1/2 watt)	33-351339
14	Resistor (2.0 megohms, 1/2 watt)	33-520339
15	Resistor (2.0 megohms, 1/2 watt)	33-520339
16	Condenser (.02 mf., tubular)	30-4516
17	Resistor (25,000 ohms, 1/2 watt)	33-325339
18	Volume Control and On-Off Switch	33-5276
19	Condenser (.1 mf., tubular)	30-4499
20	Condenser (.01 mf., tubular)	30-4572
21	Resistor (4.0 megohms, 1/2 watt)	33-540339
22	Condenser (.01 mf., tubular)	30-4572
23	Resistor (190,000 ohms, 1/2 watt)	33-419339
24	Resistor (490,000 ohms, 1/2 watt)	33-449339
25	Condenser (.1 mf., tubular)	30-4499
26	Resistor (51,000 ohms, 1/2 watt)	33-351339
27	Resistor (190,000 ohms, 1/2 watt)	33-419339
28	Condenser (.02 mf., tubular)	30-4215
31	Resistor (1400 ohms, 1/2 watt)	33-214339
32	Condenser (20 mf., electrolytic)	30-2245
33	Condenser (40 mf., electrolytic)	30-2332
34	Condenser (.05 mf., tubular)	30-4444
35	Resistor (300 ohms, wire wound)	33-130431
36	Resistor (28 ohms, 1/2 watt)	33-028339

