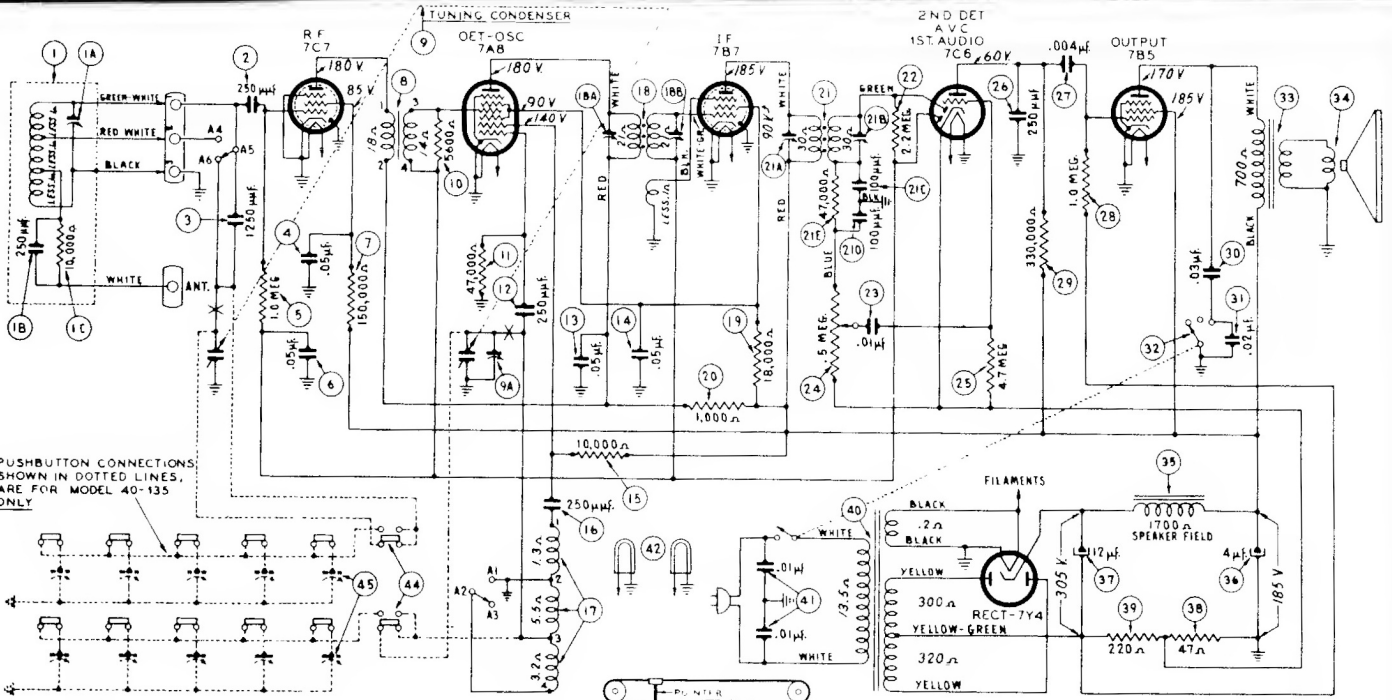
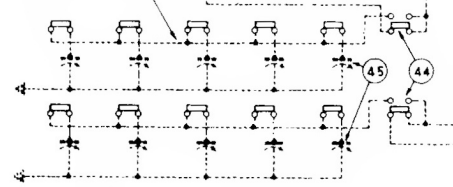


# PHILCO

Models 40-130 and 40-135



PUSHBUTTON CONNECTIONS SHOWN IN DOTTED LINES, ARE FOR MODEL 40-135 ONLY



| SCHEM. No. | DESCRIPTION                        | PART No.  |
|------------|------------------------------------|-----------|
| 1          | Loop Assembly                      | 38-9891   |
| 1A         | Compensator (.50 mfd.)             | 61-6018   |
| 1B         | Resistor (1.0, 500 ohms, 1/2 watt) | 33-130339 |
| 1C         | Mica Cond. (.250 mfd.)             | 61-6018   |
| 2          | Mica Cond. (.250 mfd.)             | 61-6018   |
| 3          | Tubular Cond. (.05 mfd.)           | 30-4518   |
| 4          | Resistor (1.0 megohm, 1/2 watt)    | 33-130339 |
| 5          | Resistor (150,000 ohms, 1/2 watt)  | 33-130339 |
| 6          | Resistor (150,000 ohms, 1/2 watt)  | 33-130339 |
| 7          | R. F. Transformer                  | 31-2829   |
| 8          | Resistor (5000 ohms, 1/2 watt)     | 33-256339 |
| 9          | Resistor (47,000 ohms, 1/2 watt)   | 33-130339 |
| 10         | Tubular Cond. (.05 mfd.)           | 30-4518   |
| 11         | Tubular Cond. (.05 mfd.)           | 30-4518   |
| 12         | Mica Cond. (.250 mfd.)             | 61-6018   |
| 13         | Mica Cond. (.250 mfd.)             | 61-6018   |
| 14         | Mica Cond. (.250 mfd.)             | 61-6018   |
| 15         | Oscillator Transformer             | 31-2829   |
| 16         | Resistor (18,000 ohms, 1/2 watt)   | 33-138439 |
| 17         | Resistor (18,000 ohms, 1/2 watt)   | 33-138439 |
| 18         | 2nd I. F. Trans. Assy.             | 33-23531  |

|    |  |           |
|----|--|-----------|
| 23 | Resistor (.22 meg, 1/2 watt)             | 33-522339 |
| 24 | Tubular Cond. (.01 mfd.)                 | 30-4518   |
| 25 | Volume Control (.15 mfd.)                | 33-524339 |
| 26 | Mica Cond. (.250 mfd.)                   | 61-6018   |
| 27 | Mica Cond. (.250 mfd.)                   | 61-6018   |
| 28 | Resistor (.0024 mfd.)                    | 33-130339 |
| 29 | Resistor (.0024 mfd.)                    | 33-130339 |
| 30 | Resistor (130,000 ohms, 1/2 watt)        | 33-4481   |
| 31 | Tubular Cond. (.03 mfd.)                 | 30-4481   |
| 32 | Tone Control and On-Off Switch           | 42-1550   |
| 33 | Output Transformer Assy.                 | 38-4085   |
| 34 | Field Coil (Reprob. 5M, Part 40-36-1478) | 30-2401   |
| 35 | Field Coil (Reprob. 5M, Part 40-36-1478) | 30-2401   |
| 36 | Rectifier Cond. (.12 mfd., 400 V.)       | 33-102431 |
| 37 | Resistor (.51 ohms, 1/2 watt)            | 33-8064   |
| 38 | Power Transformer (115 V., 50-60 cycles) | 33-102431 |
| 39 | Resistor (.01-.01 mfd.)                  | 33-102431 |
| 40 | Resistor (.01-.01 mfd.)                  | 33-102431 |
| 41 | Resistor (.01-.01 mfd.)                  | 33-102431 |
| 42 | Wave Switch                              | 42-1484   |
| 43 | Pushbutton Switch (Model 40-135 only)    | 42-1484   |
| 44 | Pushbutton Switch (Model 40-135 only)    | 42-1484   |

I.F. = 455 KC.

SWITCH SHOWN FROM REAR OF CHASSIS, BOTTOM VIEW, IN POSITION No.1 (BROADCAST)

