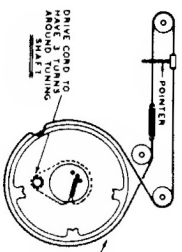
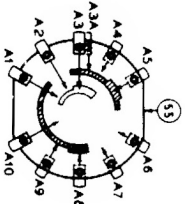


PHILCO

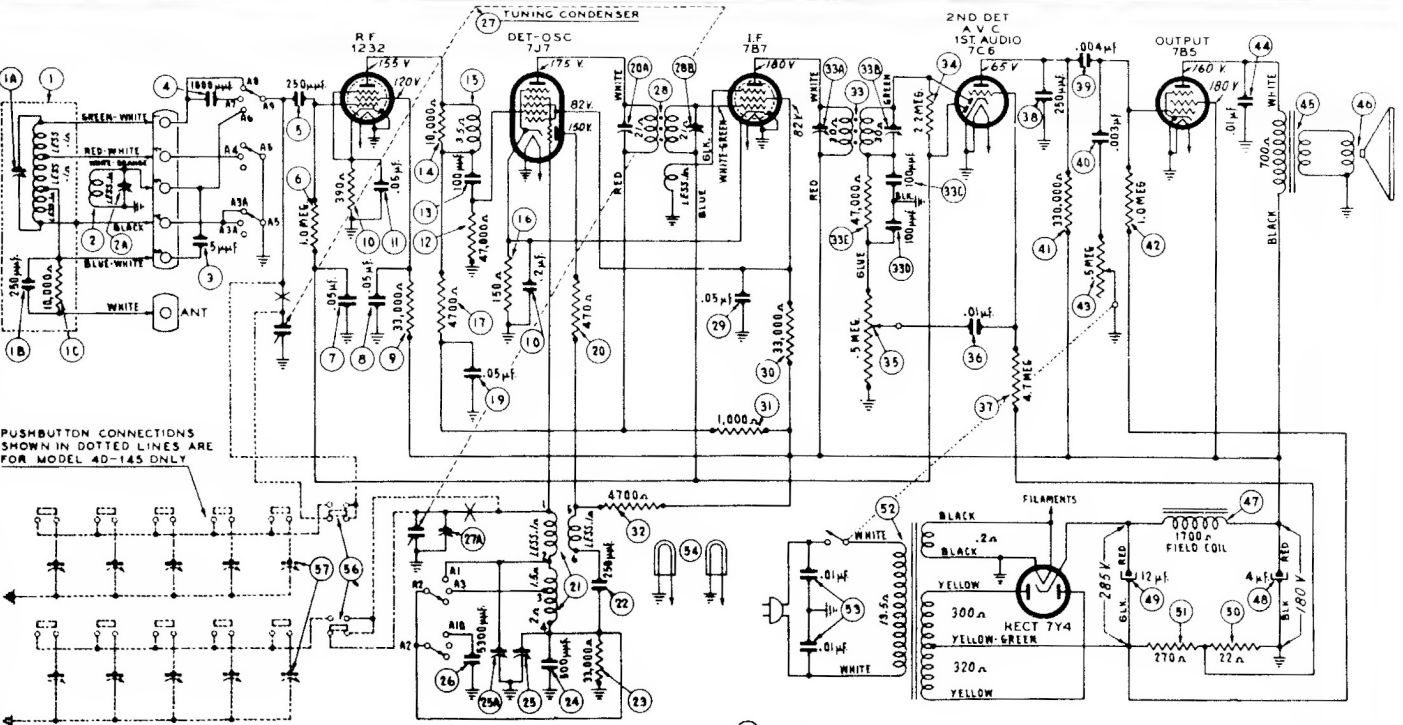
Models 40-140 and 40-145

SWITCH SHOWN FROM REAR OF CHASSIS, BOTTOM VIEW, IN POSITION NOT BROADCAST OF SWITCH WAFER. UNSHADED AREA INDICATES RING AT REAR OF SWITCH WAFER.

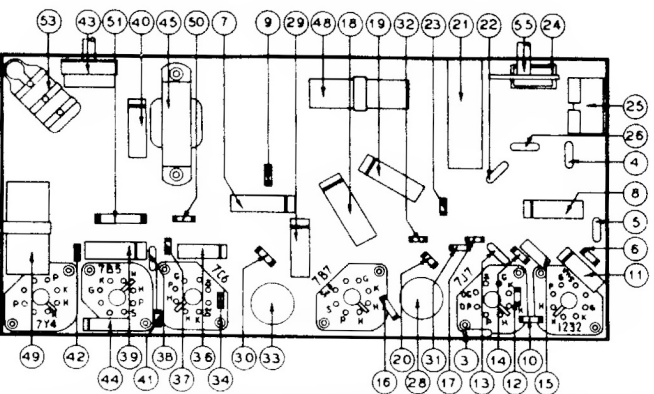
30 0 90
DIRECTION OF ROTATION FROM REAR OF SWITCH



INSTALLATION OF DRIVE COND. POINTER AT LOW FREQUENCY END OF DIAL CAME CLOSURE



PUSHBUTTON CONNECTIONS SHOWN IN DOTTED LINES ARE FOR MODEL 40-145 ONLY



- | | | | |
|----|-----|-------------|-------------|
| 1 | 1A5 | Compensator | (Broadcast) |
| 2 | 1A5 | Compensator | (250 mfd.) |
| 3 | 1A5 | Mica Cond. | (.250 mfd.) |
| 4 | 1A5 | Mica Cond. | (.250 mfd.) |
| 5 | 1A5 | Mica Cond. | (.250 mfd.) |
| 6 | 1A5 | Mica Cond. | (.250 mfd.) |
| 7 | 1A5 | Mica Cond. | (.250 mfd.) |
| 8 | 1A5 | Mica Cond. | (.250 mfd.) |
| 9 | 1A5 | Mica Cond. | (.250 mfd.) |
| 10 | 1A5 | Mica Cond. | (.250 mfd.) |
| 11 | 1A5 | Mica Cond. | (.250 mfd.) |
| 12 | 1A5 | Mica Cond. | (.250 mfd.) |
| 13 | 1A5 | Mica Cond. | (.250 mfd.) |
| 14 | 1A5 | Mica Cond. | (.250 mfd.) |
| 15 | 1A5 | Mica Cond. | (.250 mfd.) |
| 16 | 1A5 | Mica Cond. | (.250 mfd.) |
| 17 | 1A5 | Mica Cond. | (.250 mfd.) |
| 18 | 1A5 | Mica Cond. | (.250 mfd.) |
| 19 | 1A5 | Mica Cond. | (.250 mfd.) |
| 20 | 1A5 | Mica Cond. | (.250 mfd.) |
| 21 | 1A5 | Mica Cond. | (.250 mfd.) |
| 22 | 1A5 | Mica Cond. | (.250 mfd.) |
| 23 | 1A5 | Mica Cond. | (.250 mfd.) |
| 24 | 1A5 | Mica Cond. | (.250 mfd.) |
| 25 | 1A5 | Mica Cond. | (.250 mfd.) |
| 26 | 1A5 | Mica Cond. | (.250 mfd.) |

- | | | |
|----|-----|---------|
| 27 | 7J7 | DET-OSC |
| 28 | 7J7 | DET-OSC |
| 29 | 7J7 | DET-OSC |
| 30 | 7J7 | DET-OSC |
| 31 | 7J7 | DET-OSC |
| 32 | 7J7 | DET-OSC |
| 33 | 7J7 | DET-OSC |
| 34 | 7J7 | DET-OSC |
| 35 | 7J7 | DET-OSC |
| 36 | 7J7 | DET-OSC |
| 37 | 7J7 | DET-OSC |
| 38 | 7J7 | DET-OSC |
| 39 | 7J7 | DET-OSC |
| 40 | 7J7 | DET-OSC |
| 41 | 7J7 | DET-OSC |
| 42 | 7J7 | DET-OSC |
| 43 | 7J7 | DET-OSC |
| 44 | 7J7 | DET-OSC |
| 45 | 7J7 | DET-OSC |
| 46 | 7J7 | DET-OSC |
| 47 | 7J7 | DET-OSC |
| 48 | 7J7 | DET-OSC |
| 49 | 7J7 | DET-OSC |
| 50 | 7J7 | DET-OSC |
| 51 | 7J7 | DET-OSC |
| 52 | 7J7 | DET-OSC |
| 53 | 7J7 | DET-OSC |
| 54 | 7J7 | DET-OSC |
| 55 | 7J7 | DET-OSC |
| 56 | 7J7 | DET-OSC |
| 57 | 7J7 | DET-OSC |

- | | | |
|----|-----|--------------------|
| 58 | 78S | Output Transformer |
| 59 | 78S | Output Transformer |
| 60 | 78S | Output Transformer |
| 61 | 78S | Output Transformer |
| 62 | 78S | Output Transformer |
| 63 | 78S | Output Transformer |
| 64 | 78S | Output Transformer |
| 65 | 78S | Output Transformer |

I.F.:455 KC.

