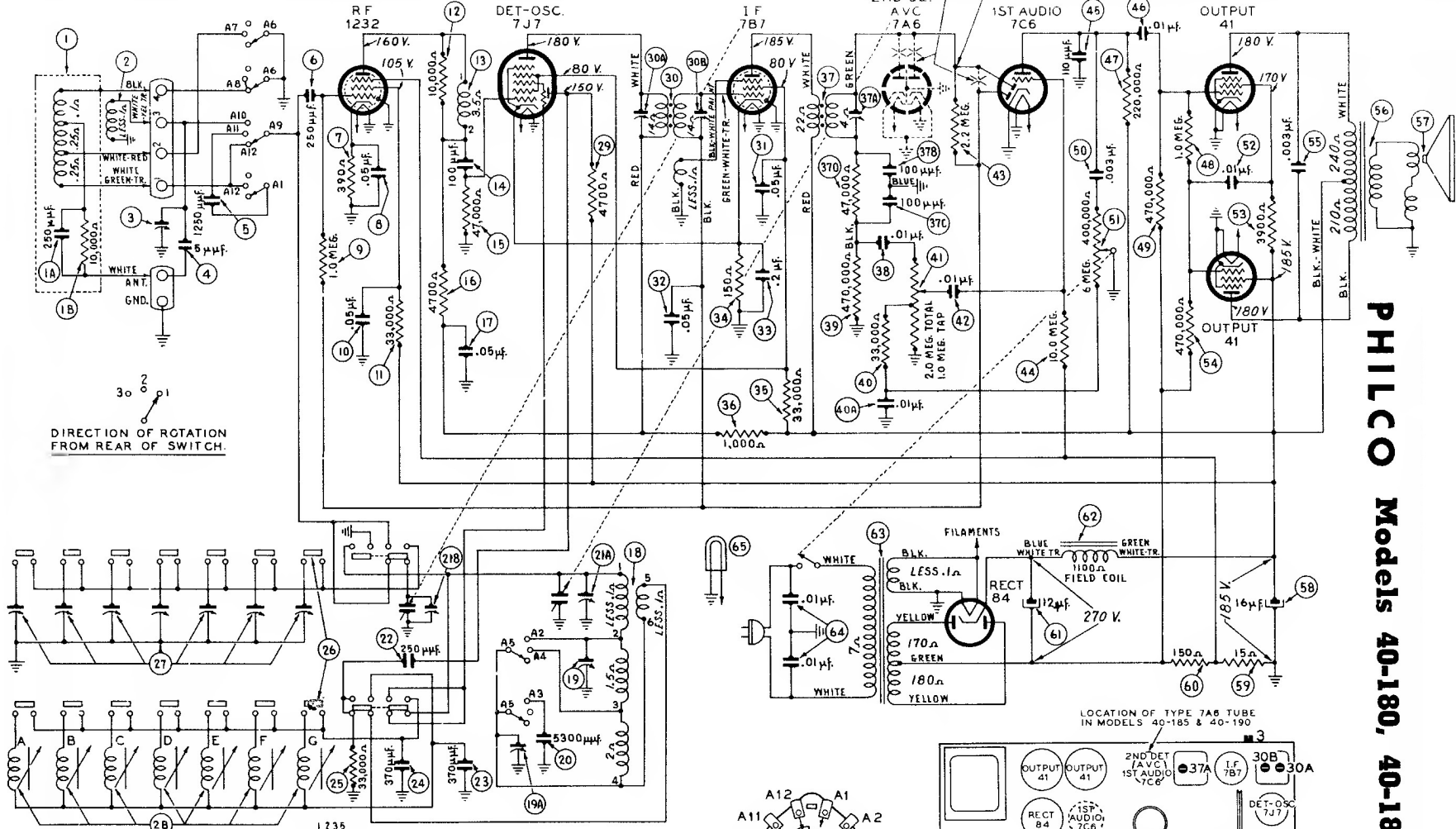
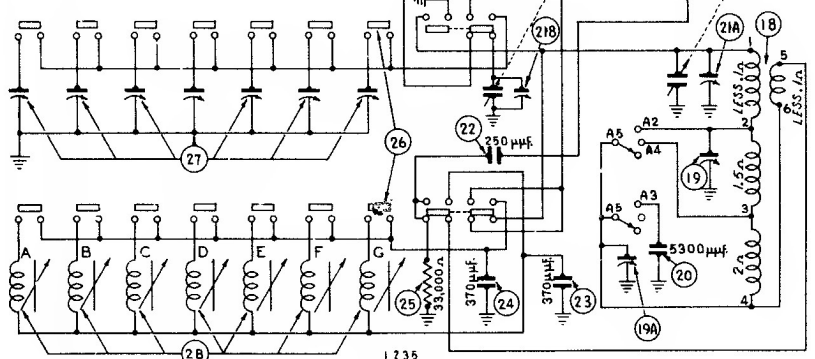


TUNING CONDENSER (21)

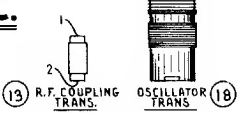
CONNECTIONS SHOWN IN DOTTED LINES FOR MODELS 40-185 & 40-190 ONLY (TYPE 7A6 TUBE NOT USED IN MODEL 40-185)
NO CONNECTION AT THIS POINT IN MODELS 40-185 & 40-190



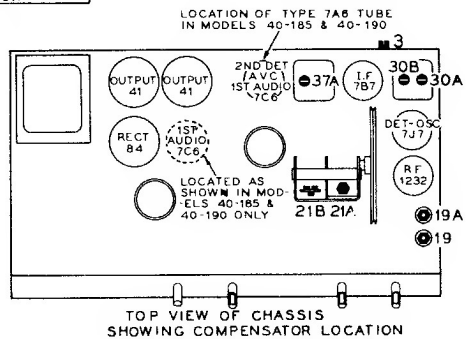
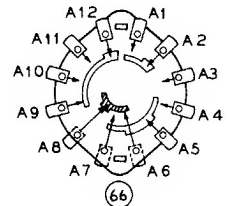
DIRECTION OF ROTATION FROM REAR OF SWITCH



I.F. = 455 KC.



= NOTE =
SWITCHES SHOWN FROM REAR OF CHASSIS BOTTOM VIEW IN POSITION No. 1 (BROADCAST)
SHADED RING AT FRONT OF SWITCH WAFER
UNSHADED RING AT REAR OF SWITCH WAFER



PHILCO Models 40-180, 40-185, 40-190