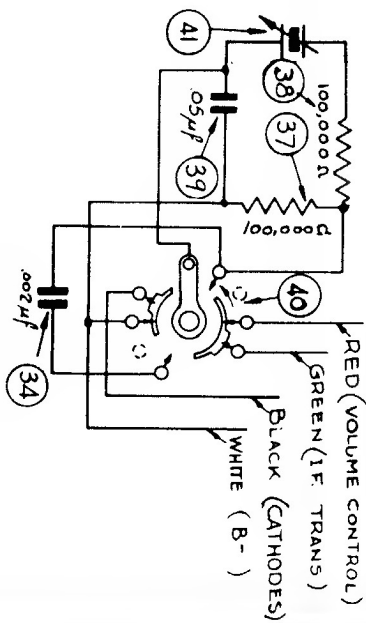
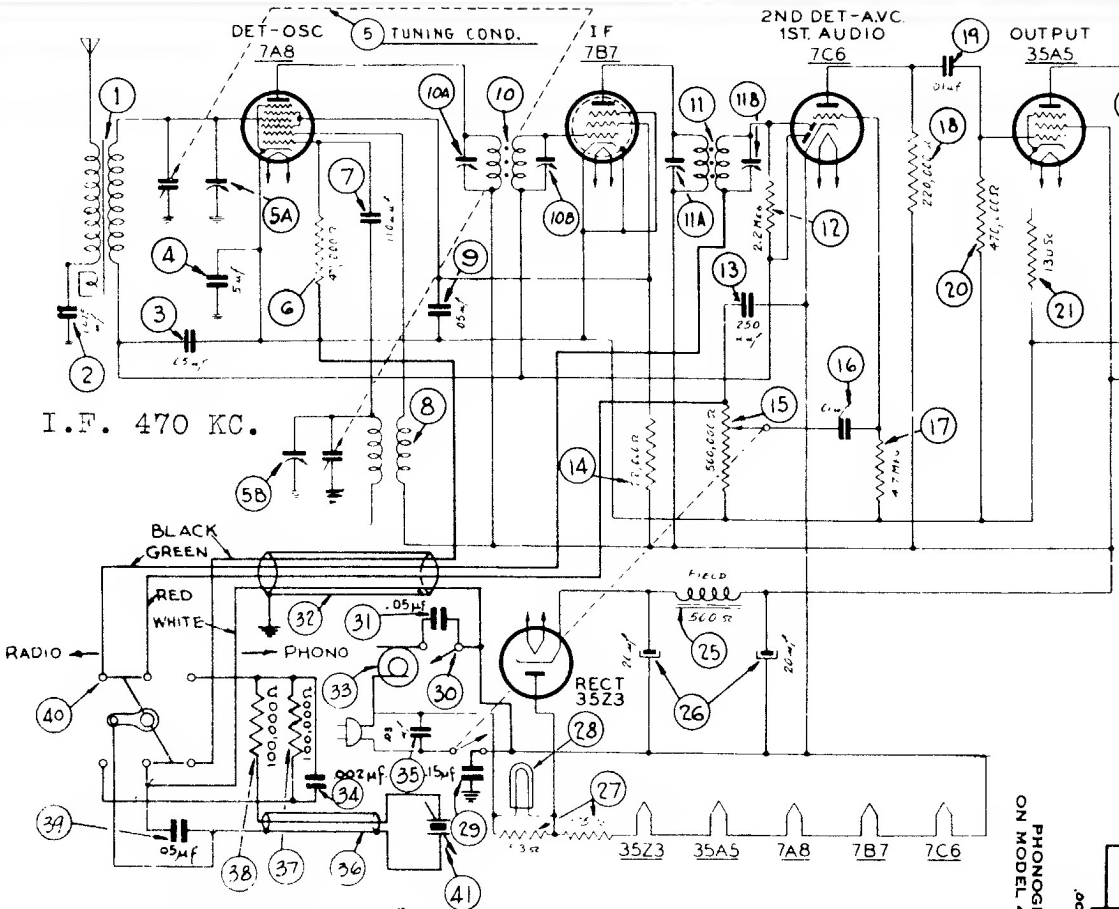


Philco

Models 40-501 40-502



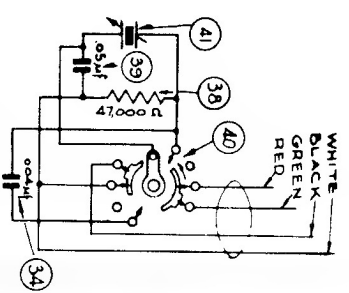
PHONOGRAPH WIRING AS USED
ON MODEL 40-502. CODE 121



I.F. 470 KC.

SCHE. NO.	DESCRIPTION
31	Condenser, Tubular (.05 mfd.)
32	Radio-Phono Cable, Model 40-501
33	Radio-Phono Cable, Model 40-502, Code 121-122
33	Motor (115 volts, 60 cycle)
34	40-501, Code 121, 40-502, Code 121
34	Condenser (.002 mfd., 40-501, 40-502, Code 121)
35	Condenser (.004 mfd., 40-502, Code 122)
36	Condenser (.03 mfd., 400 volts)
38	Pickup Cable

SCHE. NO.	DESCRIPTION
37	Resistor (100,000 ohms, 40-501, Code 121)
38	Resistor (100,000 ohms, 40-501, 40-502, Code 121)
39	Resistor (47,000 ohms, 40-502, Code 122)
40	Condenser, Tubular (.05 mfd., 400 volts)
41	Radio-Phono Cable, Model 40-501
41	Radio-Phono Cable, Model 40-502, Code 121-122
41	Pickup, Crystal Cartridge
41	40-501, 40-502, Code 121, 40-502, Code 122



PHONOGRAPH WIRING AS USED ON MODEL 40-502. CODE 122

SCHE. NO.	DESCRIPTION
1	Antenna Transformer
2	Condenser (.0015 mfd., 200 volts)
3	Condenser (.15 mfd., 400 volts)
4	Tuning Condenser
5	Antenna Compensator, Part of 5
6	Resistor (47,000 ohms, Model 40-502)
7	Condenser (.10 mfd.)
8	Condenser (.05 mfd., 200 volts)
9	1st I. F. Transformer
10	Resistor (.22 megohms)
11	2nd I. F. Transformer
12	Condenser (.23 megohms)
13	Resistor (.000 ohms, Model 40-502, Code 122)
14	Resistor (.000 ohms, Model 40-502, Code 122)
15	Volume Control
16	Condenser (.01 mfd., 200 volts)
17	Resistor (4.7 megohms, Model 40-502, Code 122)
18	Resistor (100,000 ohms, Model 40-502, Code 122)
19	Condenser, Tubular (.01 mfd., 400 volts)
20	Resistor (470,000 ohms, Model 40-502, Code 122)
21	Resistor (130 ohms)
22	Resistor (100 ohms)
23	Output Transformer
24	For use with Speaker 36-1469-1
25	For use with Speaker 36-1469-9
26	For use with Speaker 36-1469-1
27	Electrolytic Capacitor (20-20 mfd.)
28	Resistor
29	Pilot Lamp
30	Motor Switch (40-501, 121, 40-502, Code 121-122)