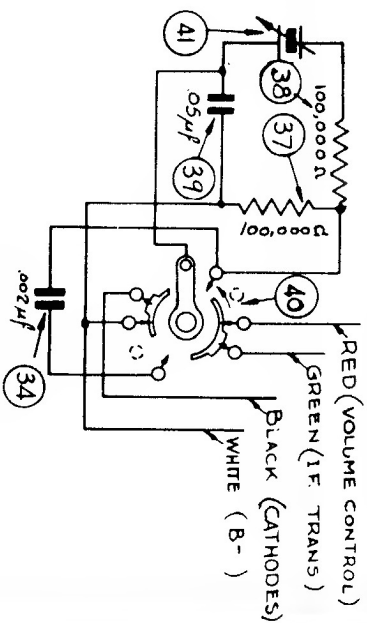
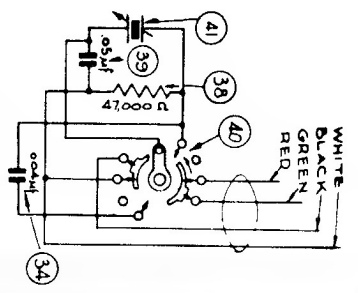
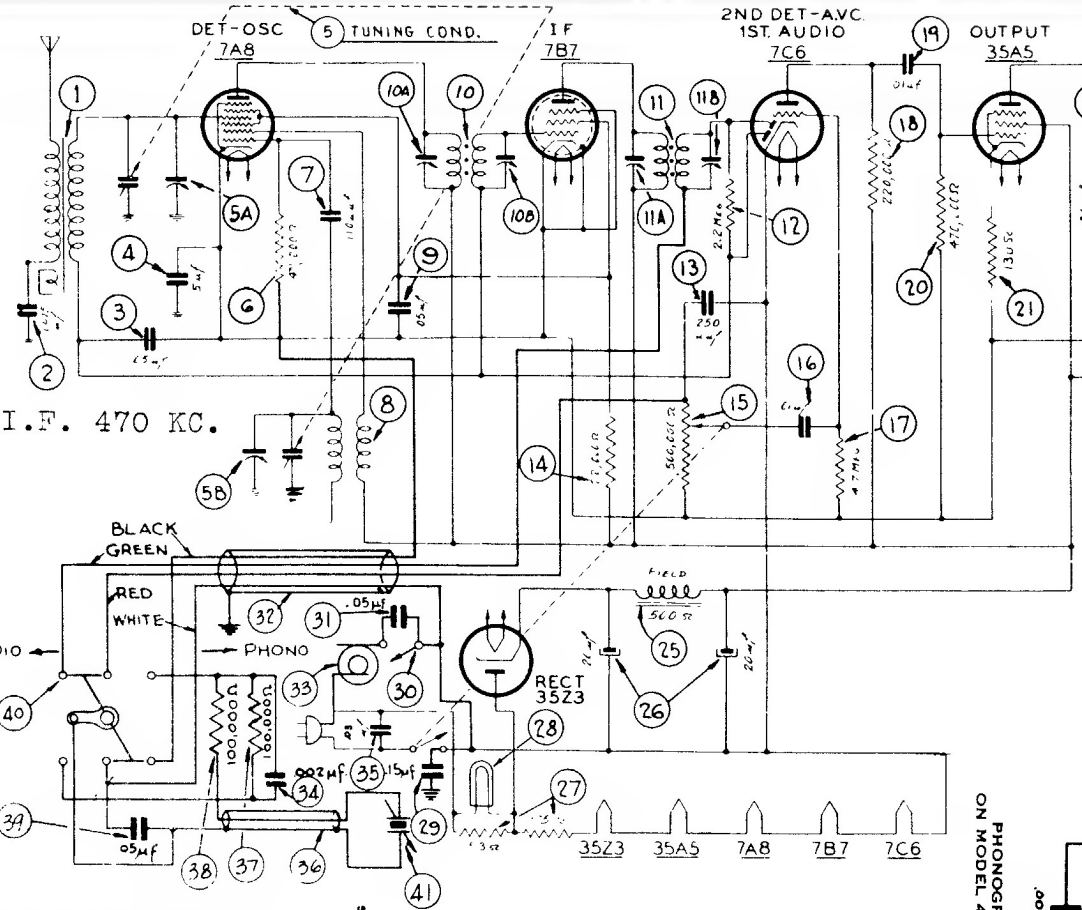


Philco

Models 40-501
40-502



PHONOGRAPH WIRING AS USED
ON MODEL 40-502; CODE 121



PHONOGRAPH WIR-
ING AS USED ON MODEL
40-502; CODE 122

SCHE. NO.	DESCRIPTION
31	Condenser, Tubular (.05 mfd.)
32	Radio-Phono Cable, Model 40-501, Code 121-122
33	Motor (115 volts, 60 cycle)
34	Code 501, Code 121, 40-502, Code 121, 40-502, Code 122
35	Condenser (.004 mfd., 40-502, Code 121)
36	Pickup Cable

SCHE. NO.	DESCRIPTION
37	Resistor (100,000 ohms, 40-501, Code 121)
38	Resistor (100,000 ohms, 40-501, 40-502, Code 121)
39	Resistor (47,000 ohms, 40-502, Code 122)
40	Condenser, Tubular (.05 mfd., 400 volts)
41	Radio-Phono Switch
42	Code 501, Code 121, 40-502, Code 121
43	Pickup Crystal Cartridge (Model 40-502, Code 121)
44	40-501, 40-502, Code 121
45	40-502, Code 122

SCHE. NO.	DESCRIPTION
1	Antenna Transformer (40015 mfd., 200 volts)
2	Condenser (.0015 mfd., 200 volts)
3	Condenser (.05 mfd., 400 volts)
4	Tuning Condenser (400 volts)
5	Antenna Compensator, Part of 5
6	Resistor (47,000 ohms, Model 40-502)
7	Condenser (.110 mfd.)
8	Oscillator Transformer, 200 volts
9	1st I. F. Transformer
10	2nd I. F. Transformer
11	Resistor (.22 megohms)
12	Resistor (150 mfd.)
13	Resistor (150,000 ohms, Model 40-502)
14	Volume Control
15	Resistor (.01 mfd., 200 volts)
16	Resistor (4.7 megohms, Model 40-502, Code 122)
17	Resistor (130 ohms)
18	Resistor (130,000 ohms, Model 40-502, Code 122)
19	Condenser, Tubular (.01 mfd., 400 volts)
20	Resistor (470,000 ohms, Model 40-502, Code 122)
21	Resistor (130 ohms)
22	Condenser (.02 mfd., 400 volts)
23	Condenser (.02 mfd., 400 volts)
24	For use with Speaker 36-1469-1
25	Come Assembly for Speaker 36-1469-1
26	Come Assembly for Speaker 36-1469-1
27	Field Coil—Replace Speaker 36-1469-1
28	Resistor (20-20 mfd.)
29	Pilot Lamp
30	Motor Switch (40-501, 121, 40-502, Code 121-122)