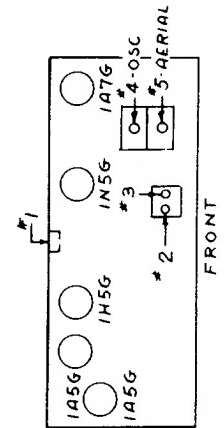


REPLACEMENT PARTS — PHILCO 41-100

Schem. No.	Description	Philco Part No.
1	Antenna Transformer	32-3490
2	Oscillator Transformer	32-3491
3	First I.F. Transformer	32-3492
4	Second I.F. Transformer	32-3199
5	Output Transformer	32-8100
6	Speaker	36-1507
7	Battery Cable	41-3505
8	Tuning Condenser	31-2485
9	Moulded Mica Condenser (100 mmf.)	60-110157
10	Tubular Condenser (.05 mf. 200 V)	30-4519
11	Tubular Condenser (.05 mf. 200 V)	30-4519
12	Moulded Mica Condenser (100 mmf.)	60-110157
13	Tubular Condenser (.004 mf. 400 V)	30-4578

14	Tubular Condenser (.01 mf. 400 V)	30-4572
15	Moulded Mica Condenser (500 mmf.)	60-150157
16	Electrolytic Condenser (10 mf. 150 V)	30-2396
17	Resistor (4.7 meg. 1/4 watt)	33-547154
18	Resistor (220,000 ohms 1/4 watt)	33-422154
19	Resistor (68,000 ohms 1/4 watt)	33-368154
20	Resistor (10 meg. 1/4 watt)	33-610154
21	Volume Control and "On-Off" Switch	33-5407
22	Resistor (4.7 meg. 1/4 watt)	33-547154
23	Resistor (1.0 meg. 1/4 watt)	33-510154
24	Resistor (2.2 meg. 1/4 watt)	33-522154
25	Resistor (1000 ohms 1/2 watt)	33-210336

PLUG SHOWN FROM FRONT SIDE

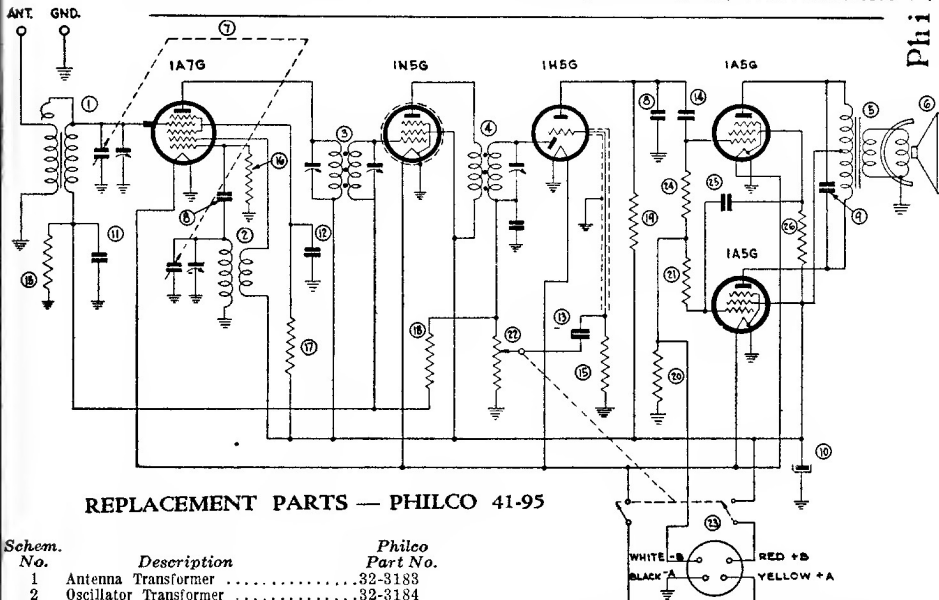


FRONT

MODELS 41-95, 41-100.

Philco Models 41-100 and 41-105 are similar to the illustrated circuits.

Models 41-90, 41-95, 41-100



REPLACEMENT PARTS — PHILCO 41-95

Schem. No.	Description	Philco Part No.
1	Antenna Transformer	32-3183
2	Oscillator Transformer	32-3184
3	1st I. F. Transformer	32-3198
4	2nd I. F. Transformer	32-3199
5	Output Transformer	32-8107
6	5/8" Speaker for Compact	36-1507
6A	3/4" Speaker for Console	36-1477
7	Tuning Condenser	31-2457
8	Moulded Mica Condenser (100 mmf.)	60-110157
9	Moulded Mica Condenser (250 mmf.)	60-125157
10	Electrolytic Condenser (10 mf. 150 v)	30-2396
11	Tubular Condenser (.05 mf., 200 v)	30-4519
12	Tubular Condenser (.05 mf., 200 v)	30-4444
13	Tubular Condenser (.004 mf., 400 v)	30-4578

14	Tubular Condenser (.01 mf., 400 v)	30-4572
15	Resistor (4.7 Meg., 1/4 watt)	33-547154
16	Resistor (220,000 ohms, 1/4 watt)	33-422154
17	Resistor (68,000 ohms, 1/4 watt)	33-368154
18	Resistor (10 Meg., 1/4 watt)	33-610154
19	Resistor (1 Meg., 1/4 watt)	33-510154
20	Resistor (680 ohms, 1/2 watt)	33-168326
21	Resistor (2.2 Meg., 1/4 watt)	33-522154
24	Resistor (2.2 Meg., 1/4 watt)	33-522154
25	Tubular Condenser (.01 mf., 400 v)	30-4572
26	Resistor (10,000 ohms, 1/4 watt)	33-310154

PLUG SHOWN FROM FRONT SIDE

Operations in Order	SIGNAL GENERATOR			RECEIVER		
	Output Connections	Dummy Antenna Note A	Dial Setting	Dial Setting	Controls	Adjust Compensators
1	1A7G (Grid)	.1 mfd.	455 K. C.	540 K. C.	Vol. Max.	1, 2, 3
2	Aerial Connection	225 mmfd.	1500 K. C.	1500 K. C.	Vol. Max.	4 Osc., 5 aerial