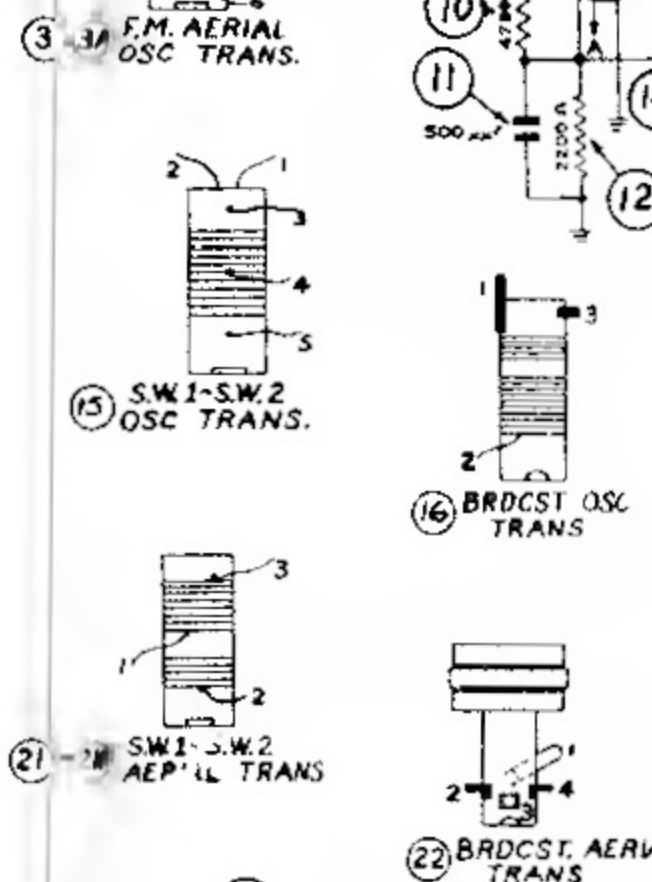
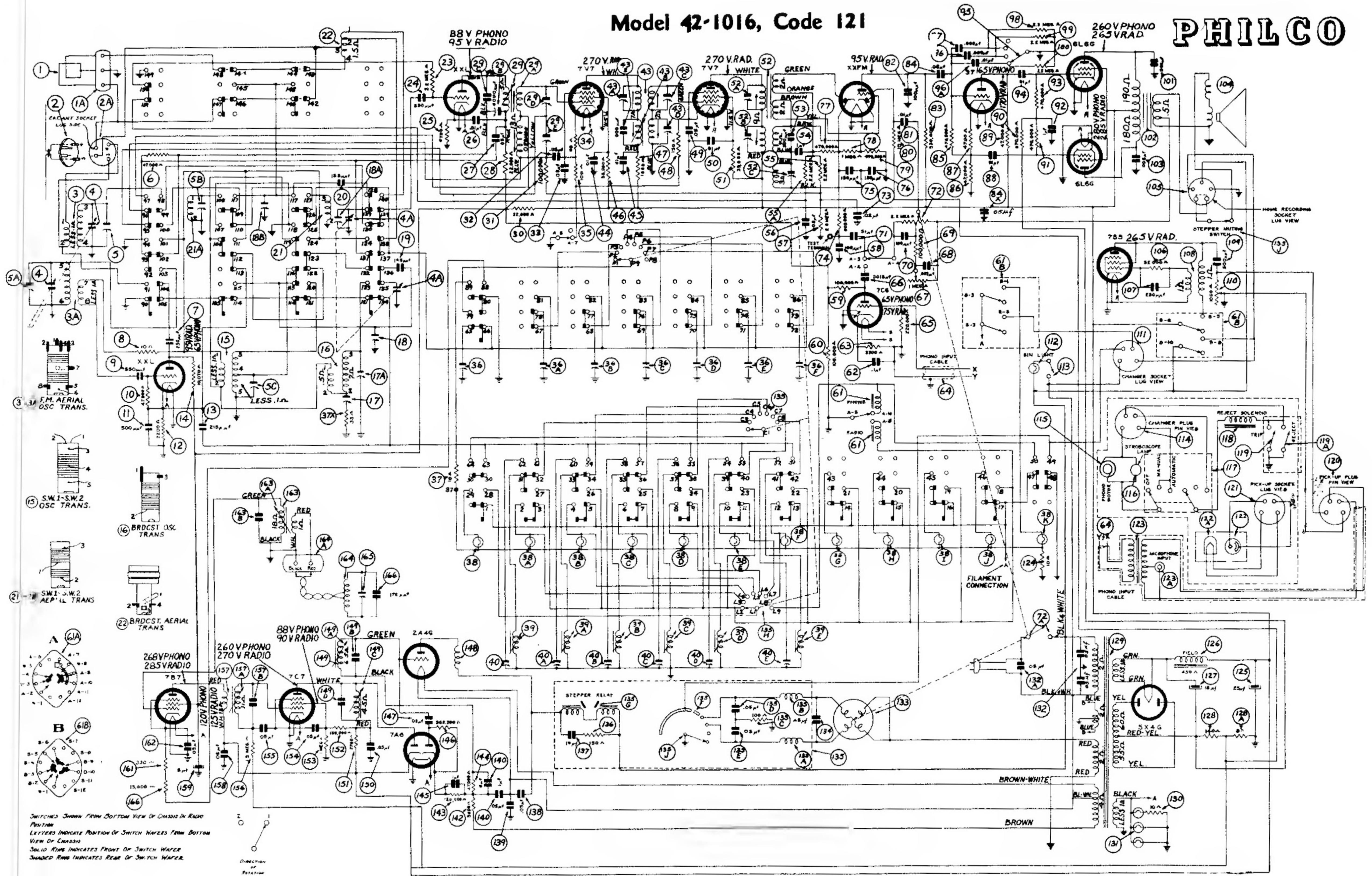


# Model 42-1016, Code 121

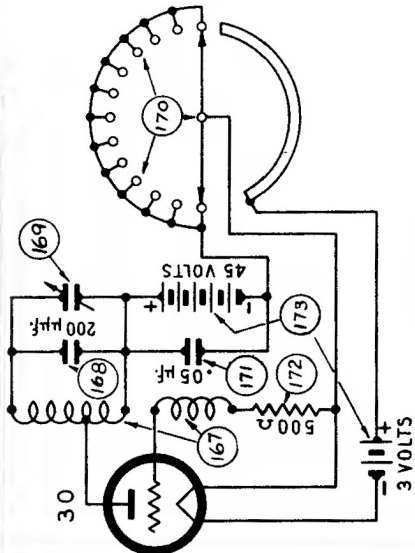
# PHILCO



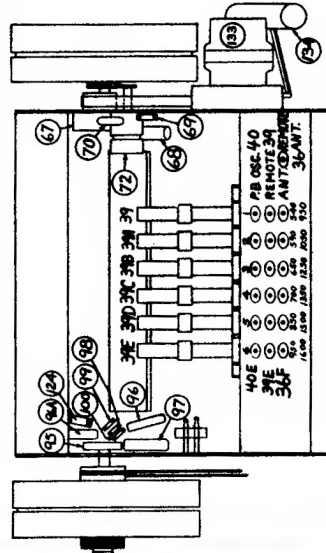
SWITCHES SHOWN FROM BOTTOM VIEW OF CHASSIS IN RADIO POSITION  
LETTERS INDICATE POSITION OF SWITCH WAFERS FROM BOTTOM VIEW OF CHASSIS  
SOLID RING INDICATES FRONT OF SWITCH WAFER  
SHADOWED RING INDICATES REAR OF SWITCH WAFER

DIRECTION OF ROTATION

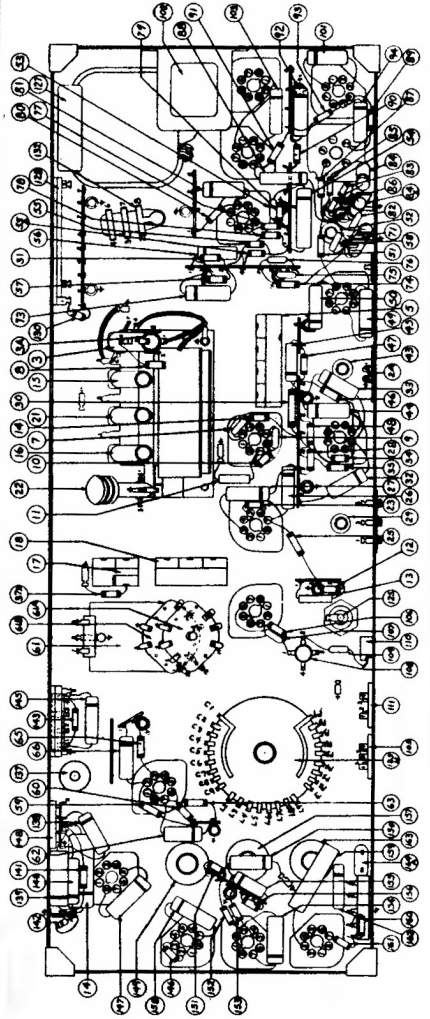




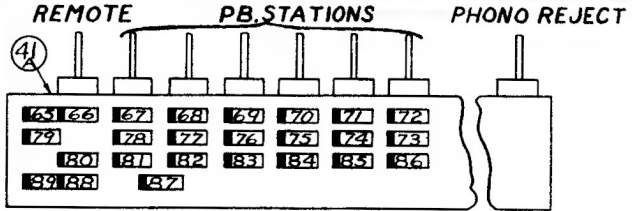
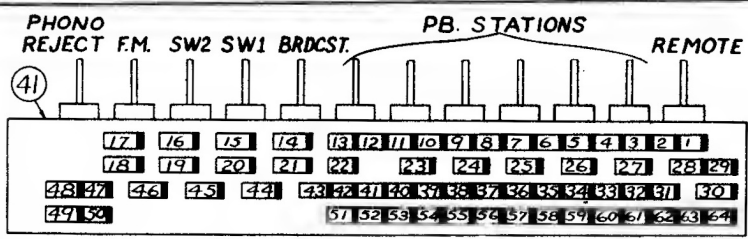
SCHMATIC DIAGRAM OF WIRELESS REMOTE CONTROL UNIT



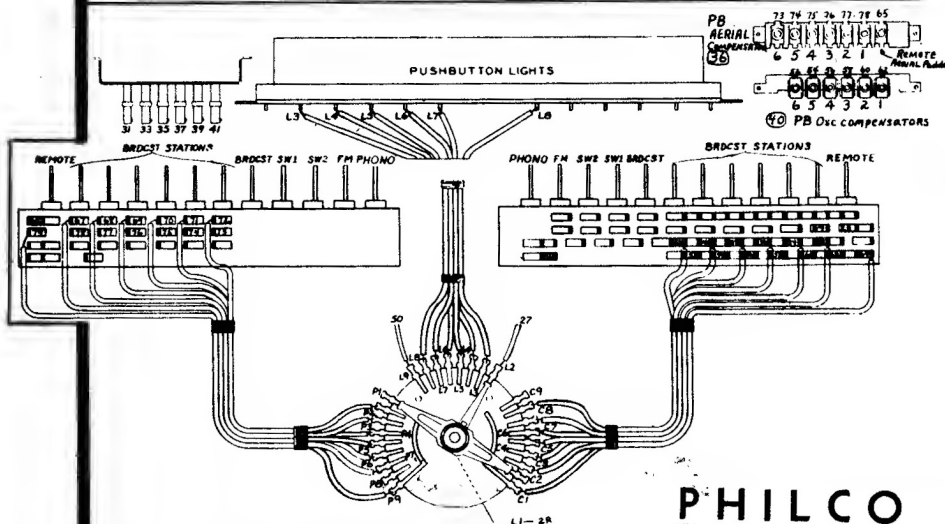
LOCATIONS OF PARTS, TUNING UNIT



PART LOCATIONS—UNDER CHASSIS, MODEL 42-1016

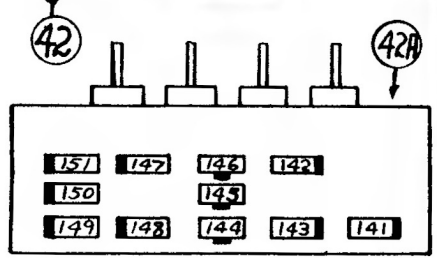
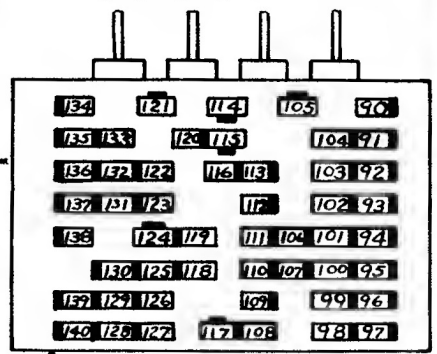


CONTACT LOCATIONS OF STATIONS AND LIGHTS, P. B. SWITCH—TOP 41, BOTTOM 41A



CABLE WIRING

**Model 42-1016, Code 121**



CONTACT LOCATIONS OF TUNING BAND, P. B. SWITCH—42, BOTTOM; 42A, TOP SECTION

