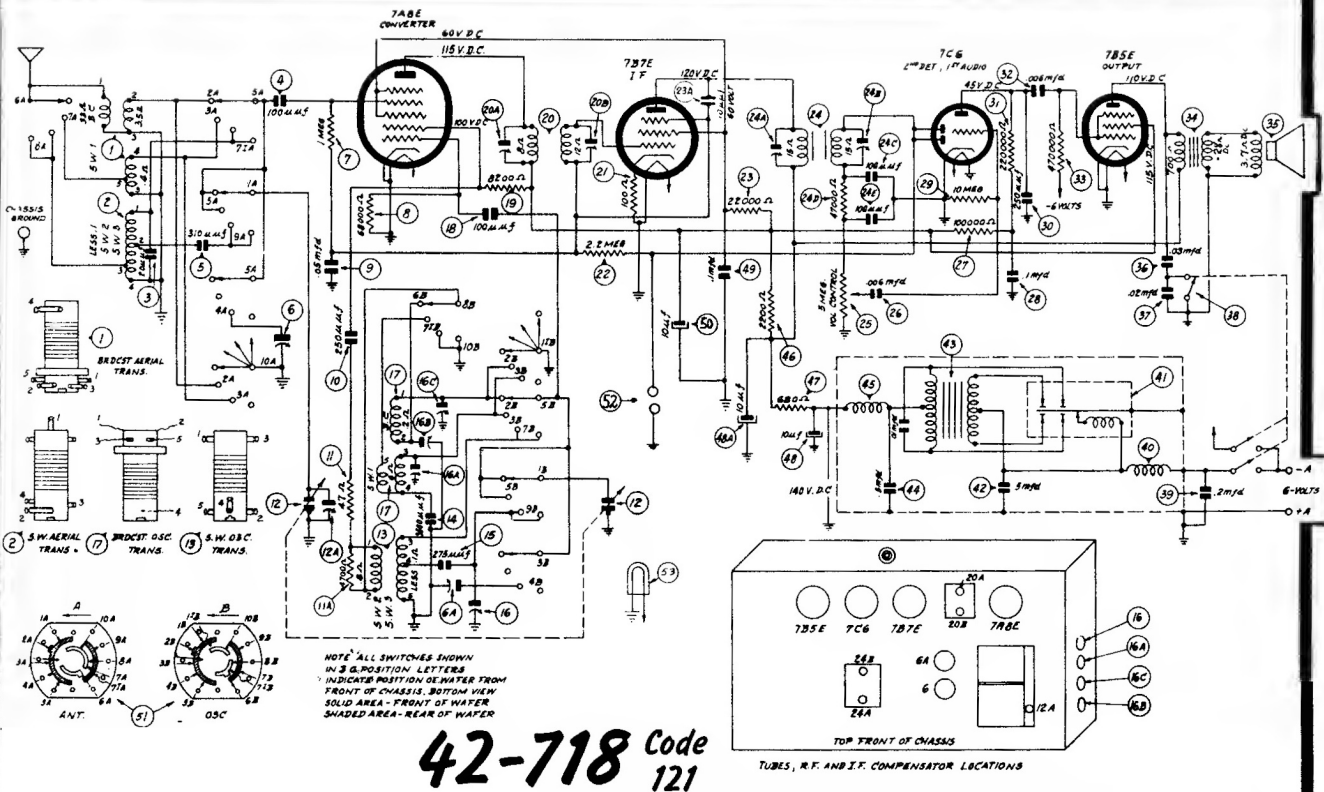
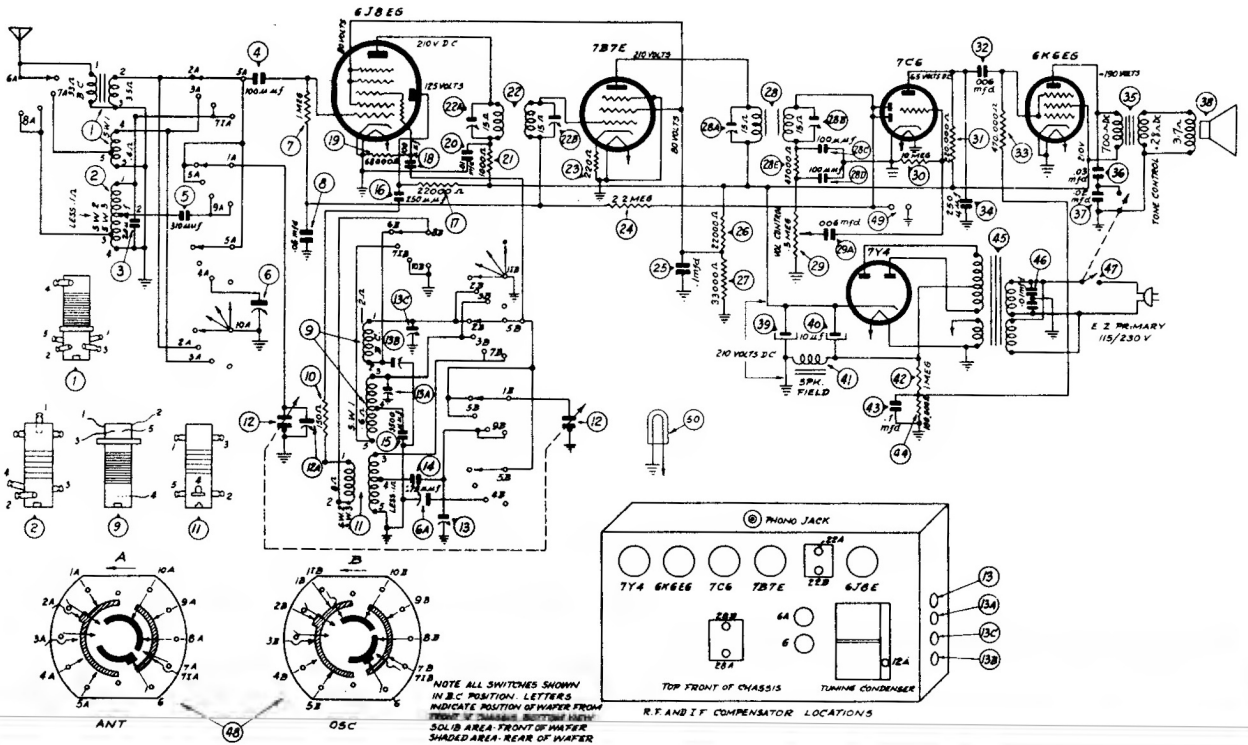


PHILCO

Models 42-716



42-718 Code
121