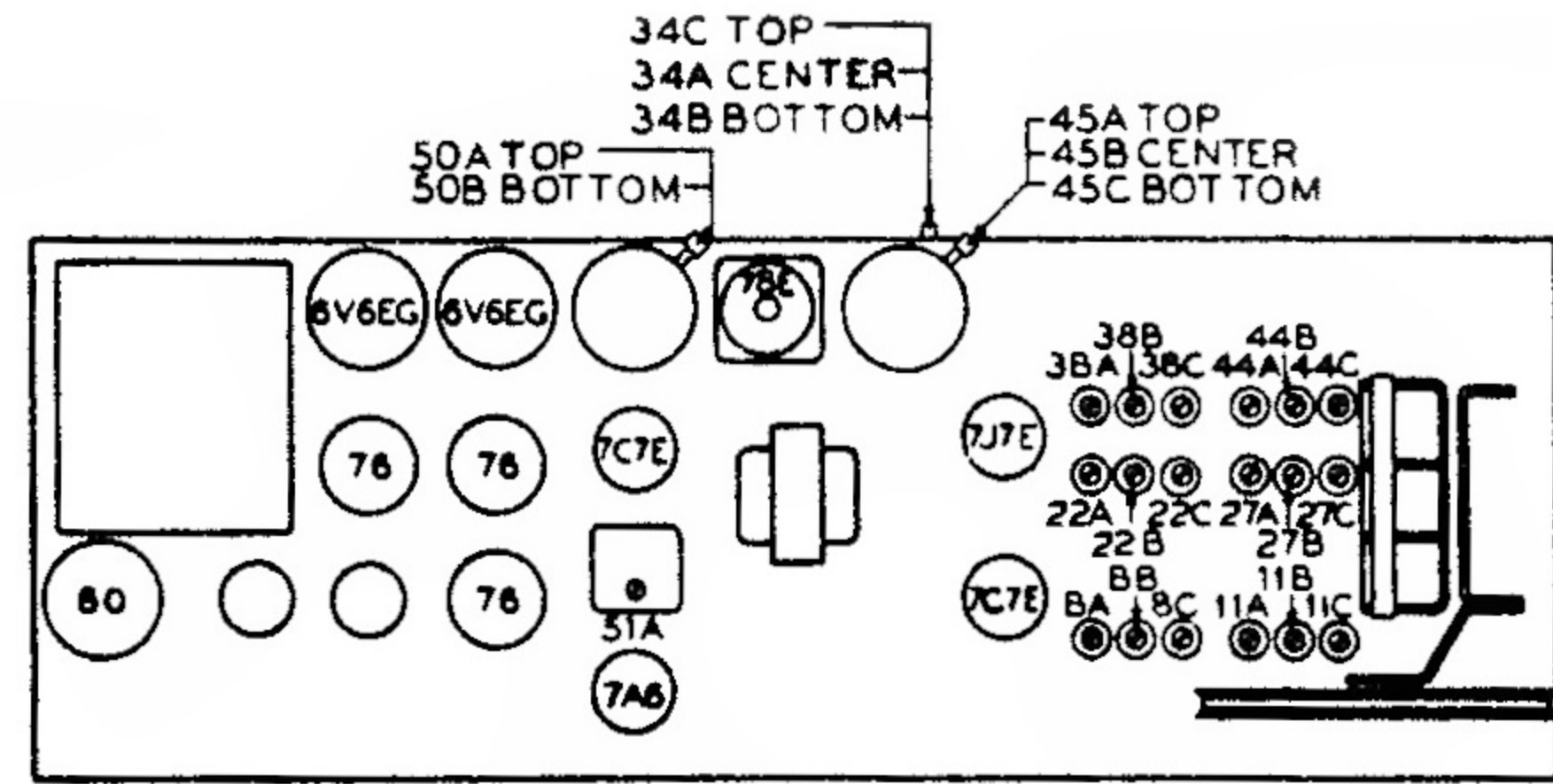
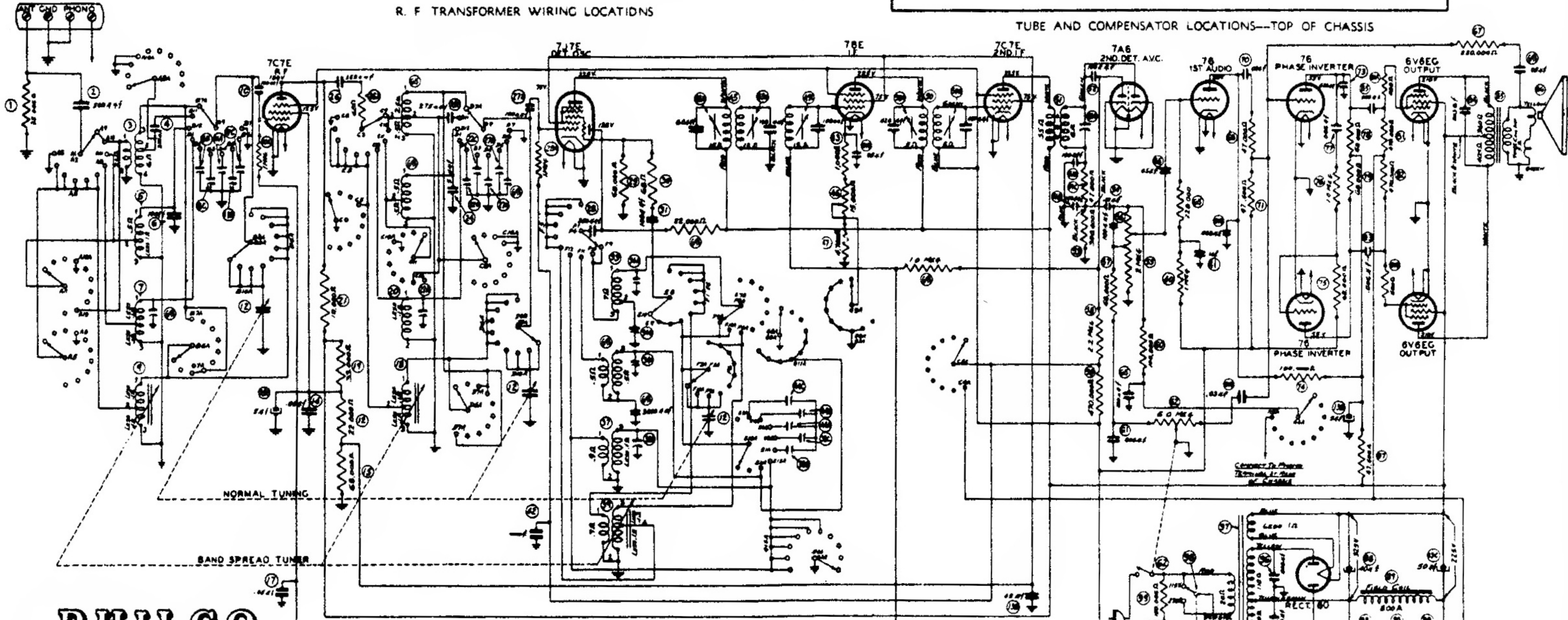


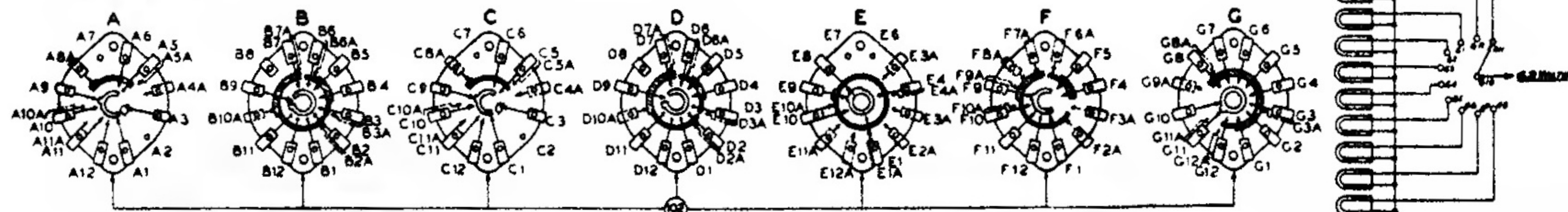
R. F. TRANSFORMER WIRING LOCATIONS



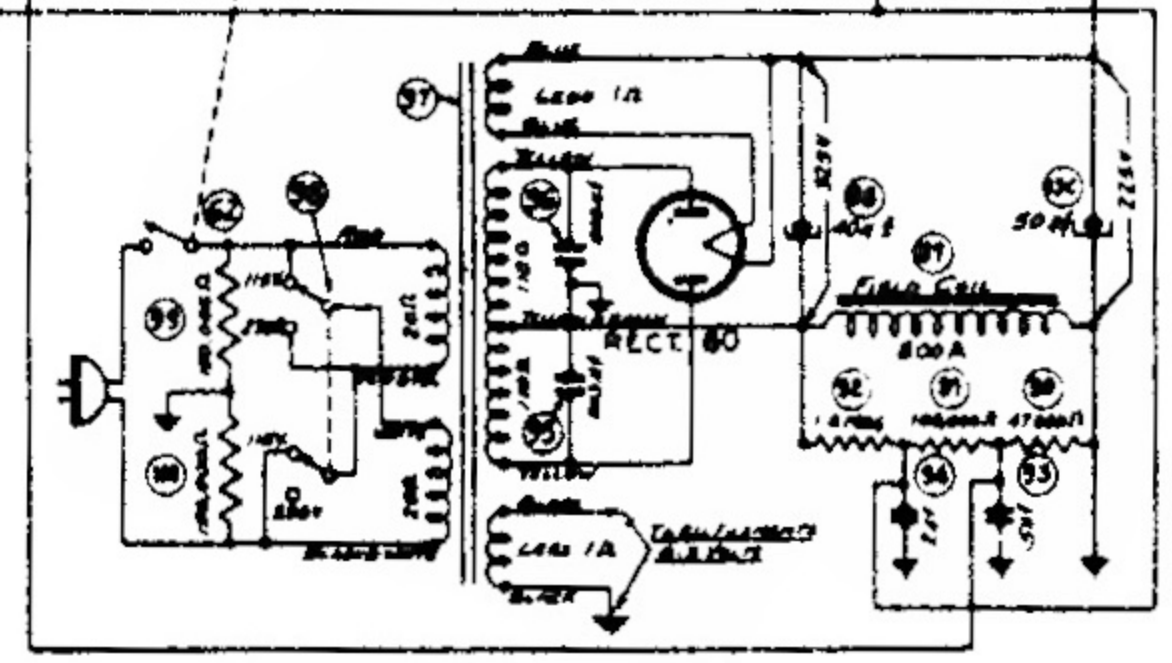
TUBE AND COMPENSATOR LOCATIONS--TOP OF CHASSIS



PHILCO



NOTE: SWITCHES SHOWN FROM REAR BOTTOM VIEW OF CHASSIS IN POSITION NO. 1 BROADCAST. SHADED ROTOR IS AT FRONT OF SWITCH WAFER. UNSHADED ROTOR IS AT REAR OF SWITCH WAFER. LETTER INDICATES POSITION OF SWITCH WHEEL FROM FRONT OF CHASSIS.



I.F. = 455 KC.
MODEL 42-788, CODE 121-122