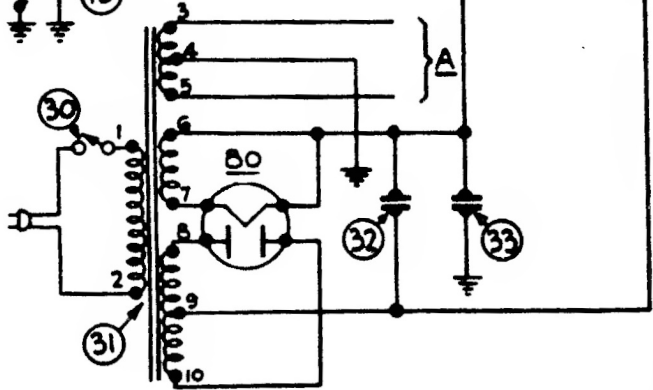


INDICATES CHASSIS

- ① Volume Control
- ② First R. F. Transformer
- ③ Gang Condenser
- ④ Compensating Condenser (Part of Gang Condenser Assembly)
- ⑤ Second R. F. Transformer
- ⑥ Compensating Condenser (Part of Gang Condenser Assembly)
- ⑦ Third R. F. Transformer
- ⑧ Compensating Condenser (Part of Gang Condenser Assembly)
- ⑨ Capacitor—250 Mmf.
- ⑩ Capacitor—250 Mmf.
- ⑪ Resistor—10,000 Ohms
- ⑫ Capacitor—.01 Mfd.
- ⑬ Resistor—240,000 Ohms
- ⑭ Resistor—490,000 Ohms
- ⑮ Bypass Capacitor (.15 Mfd., .25 Mfd., 2-.5 Mfd., .1 Mfd.) 50-60 cycles

- ⑯ Bypass Capacitor—.01 Mfd.
- ⑰ Output Transformer
- ⑱ Voice Coil and Cone Assembly
- ⑲ Speaker Field (Assembled with Pot and Frame)
- ⑳ Resistor—490,000 Ohms
- ㉑ Resistor—160,000 Ohms
- ㉒ Resistor—150 Ohms and Capacitor—.05 Mfd.
- ㉓ Resistor—15,000 Ohms
- ㉔ Bypass Capacitor—.05 Mfd.
- ㉕ Bypass Capacitor—(.05 Mfd.) (combined with ㉔)
- ㉖ Resistor—25,000 Ohms
- ㉗ Resistor—99,000 Ohms
- ㉘ Resistor—32,000 Ohms
- ㉙ Resistor—99,000 Ohms
- ㉚ On-Off Switch
- ㉛ Power Transformer—50-60 cycles
- ㉜ Electrolytic Capacitor—6 Mfd.—50-60 cycles
- ㉝ Electrolytic Capacitor—10 Mfd.—25-40 cycles
- ㉞ Electrolytic Capacitor—6 Mfd.—



Philco Radio

**MODELS 50 AND 50-A**