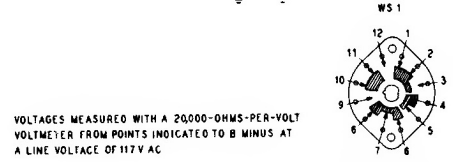
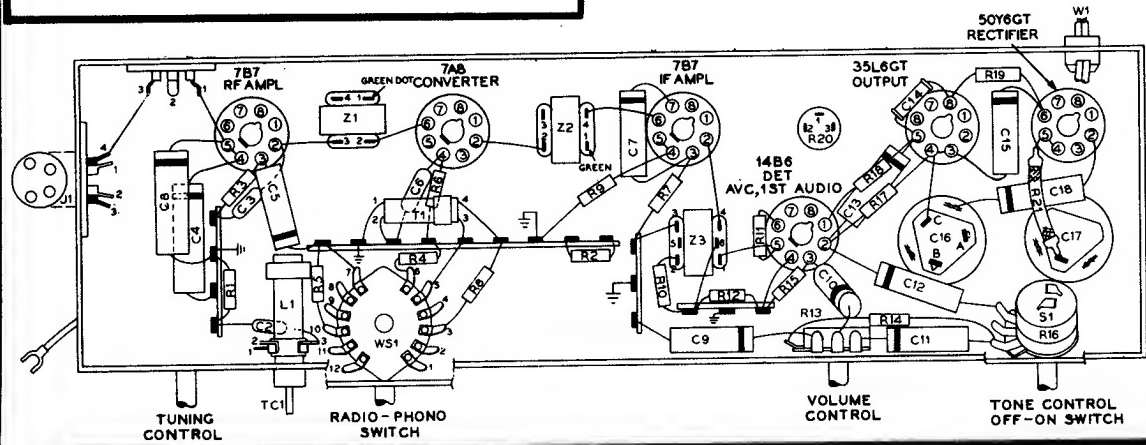
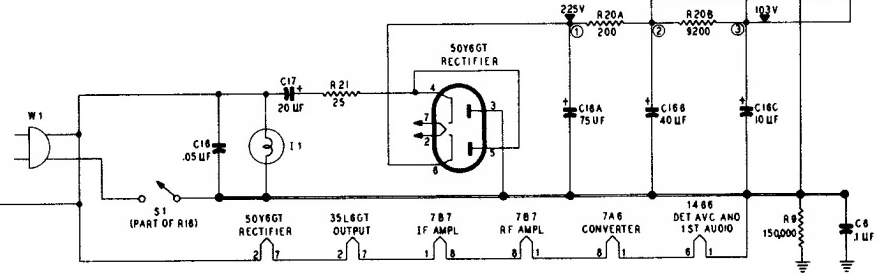
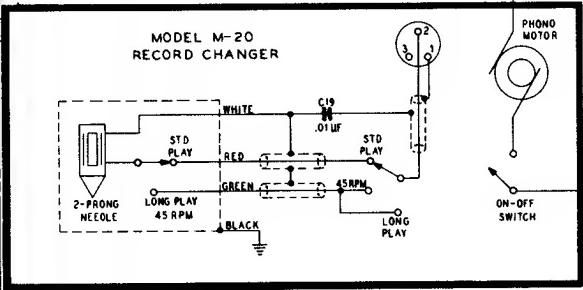
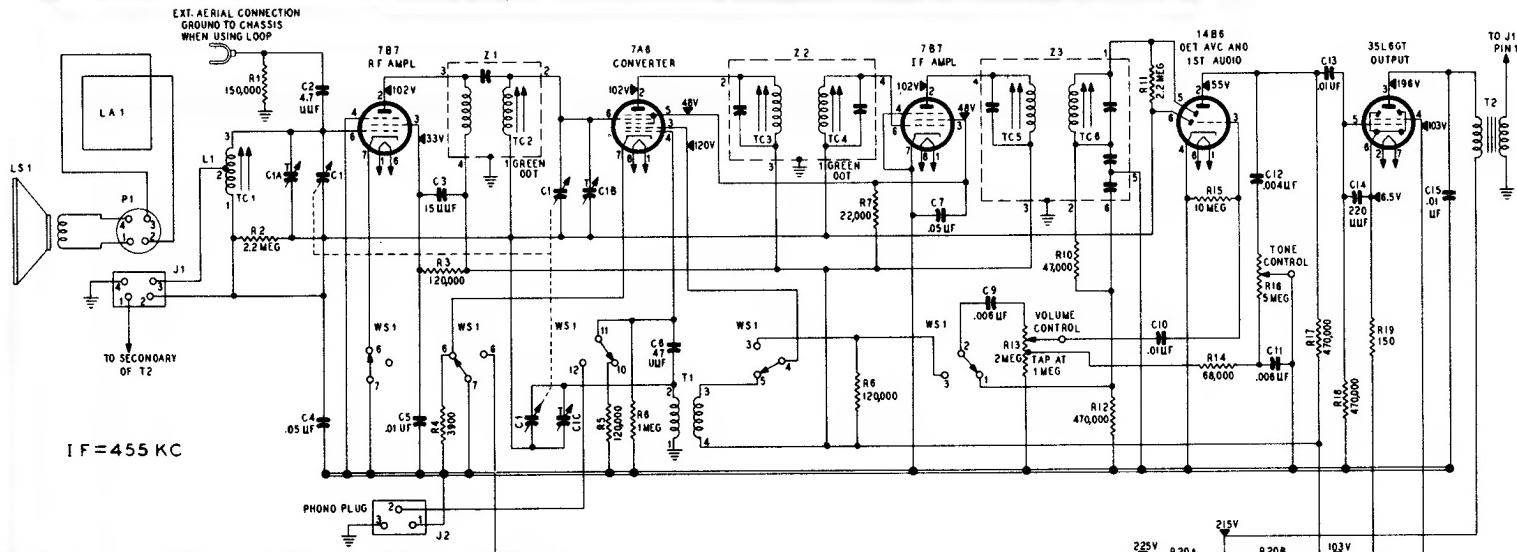


# PHILCO RADIO-PHONOGRAPH MODEL 50-1718



VOLTAGES MEASURED WITH A 20,000-OHMS-PER-VOLT VOLTMETER FROM POINTS INDICATED TO B MINUS AT A LINE VOLTAGE OF 117 V AC

WS 1 RADIO-PHONO SWITCH SHOWN IN RADIO POSITION

