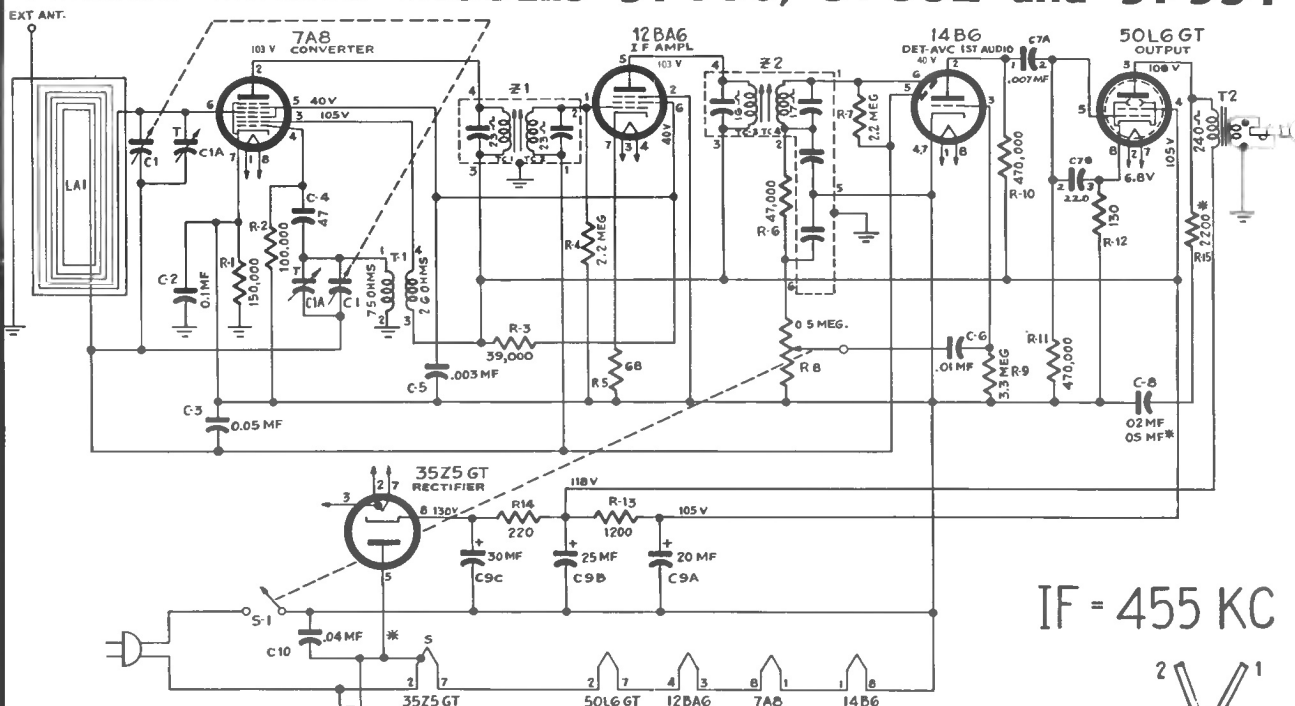
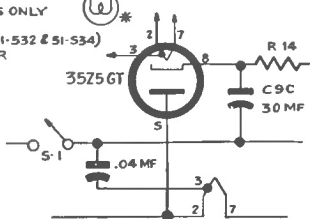


PHILCO RADIO MODELS 51-530, 51-532 and 51-534

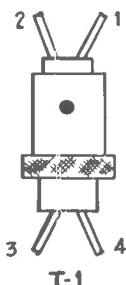
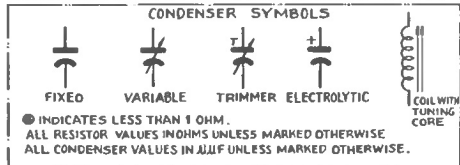


IF = 455 KC

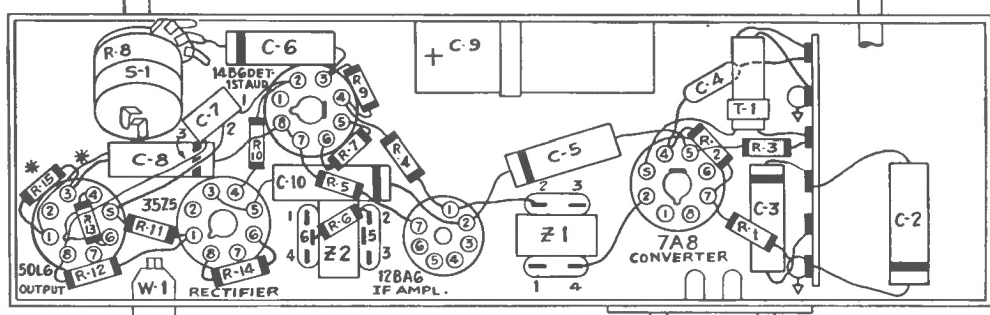
* THE FOLLOWING APPLIES ONLY TO MODEL 51-530: R-15 (NOT USED IN MODELS 51-532 & 51-534) C-8 IS A .05 μ F CONDENSER RECTIFIER IS WIRED AS SHOWN IN INSERT.



ALL VOLTAGES MEASURED WITH 20,000 OHMS-PER-VOLT METER BETWEEN POINTS INDICATED AND B MINUS AT A LINE VOLTAGE OF 117 V. AC.

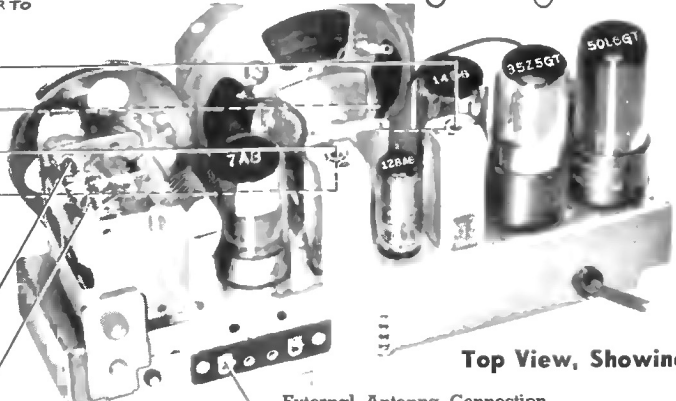


Symbolized Chassis, Showing Parts Placement



* THIS PART AND WIRING CHANGE REFER TO MODEL 51-530 ONLY.

- TC4—2nd if sec.
- TC3—2nd if pri.
- TC2—1st if sec.
- TC1—1st if pri.
- C1B—osc.
- C1A—aerial



NOTE: TC1 and TC3 are located on underside of chassis.

Top View, Showing Trimmer Locations

External Antenna Connection