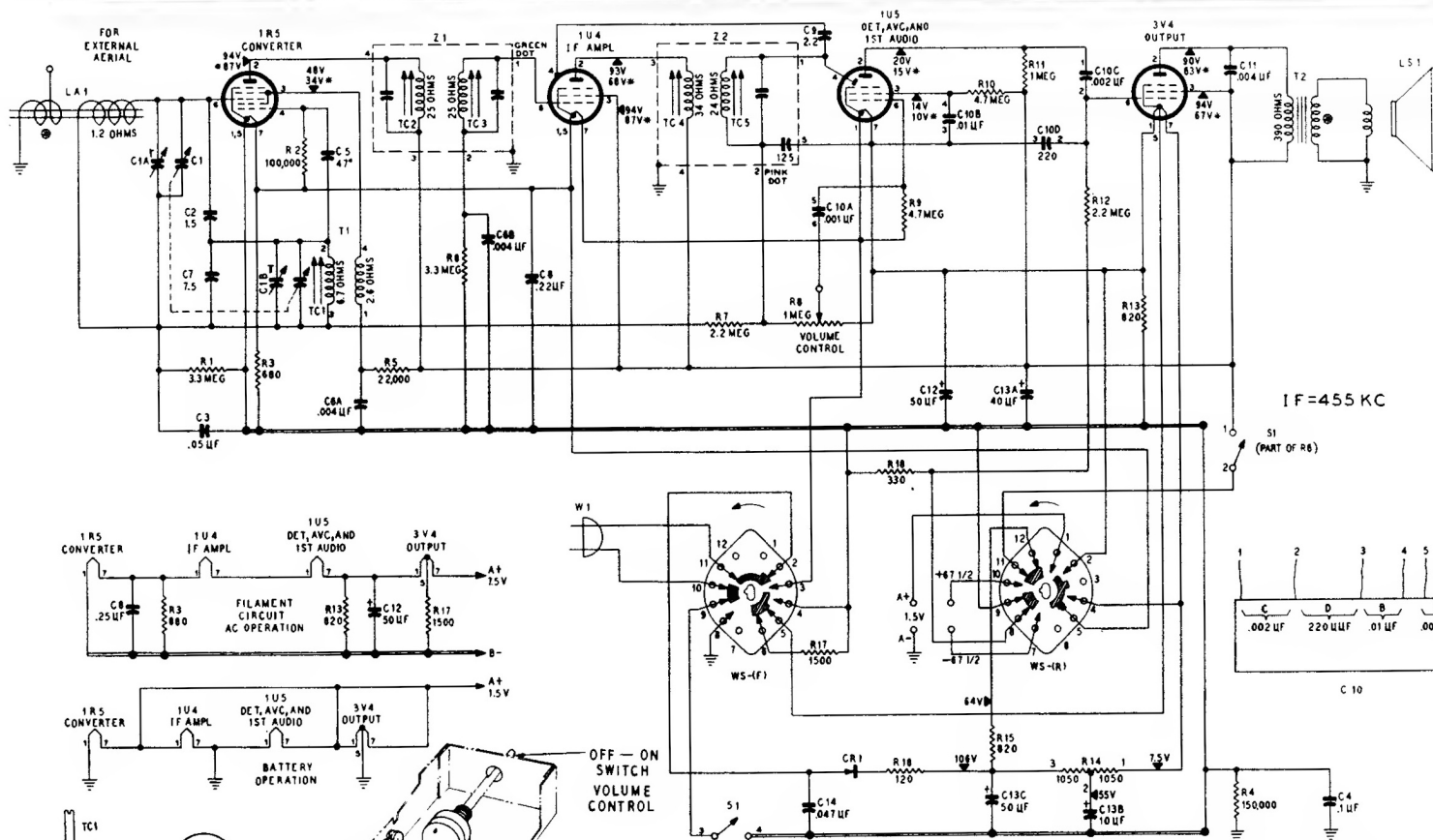


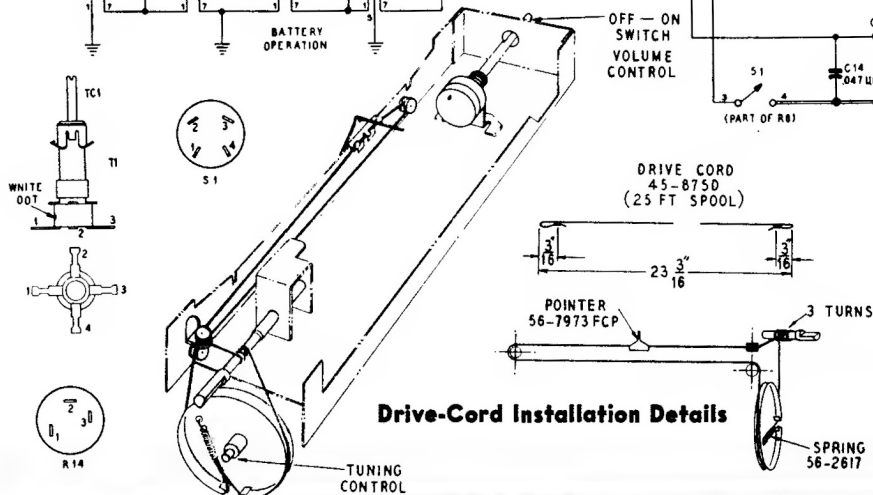
PHILCO RADIO MODEL 51-631

POWER CONSUMPTION

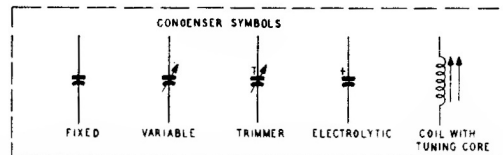
A.C. Operation 11 watts
 Battery Operation 9.5 ma. from 67.5-volt "B" battery
 250 ma. from 1.5-volt "A" battery



Philco Radio Model 51-631, Schematic Diagram



Drive-Cord Installation Details



NOTES:
 ALL RESISTOR VALUES IN OHMS AND ALL CONDENSER VALUES IN μ UF UNLESS OTHERWISE MARKED
 ● LESS THAN 1 OHM
 ALL VOLTAGES SHOWN WERE MEASURED WITH A 20,000 OHMS-PER-VOLT METER FROM POINTS INDICATED TO B-. VOLTAGE READINGS IDENTIFIED BY AN ASTERISK (*) ARE FOR BATTERY OPERATION. ALL OTHERS ARE FOR A-C OPERATION.
 WS SHOWN IN AC POSITION