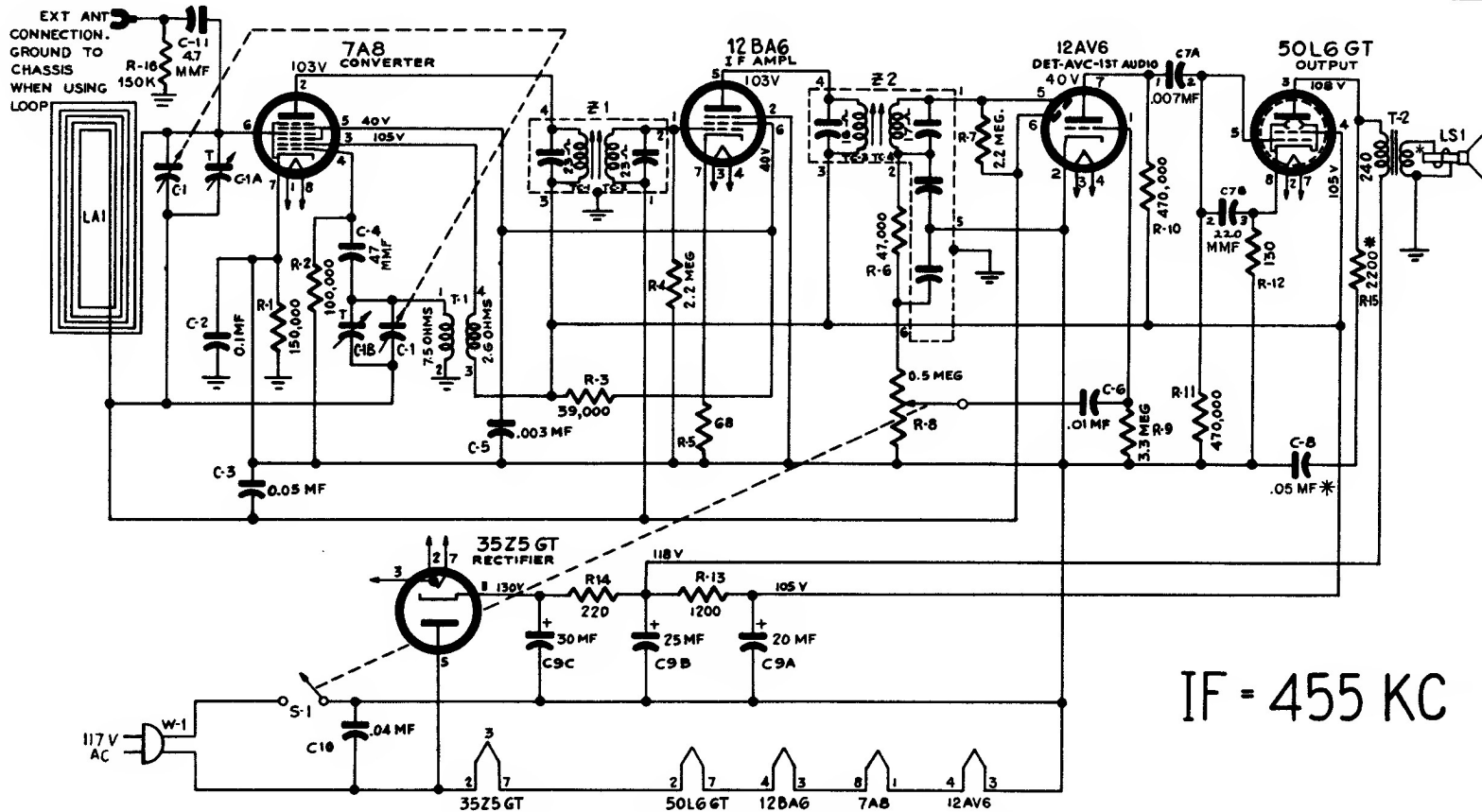
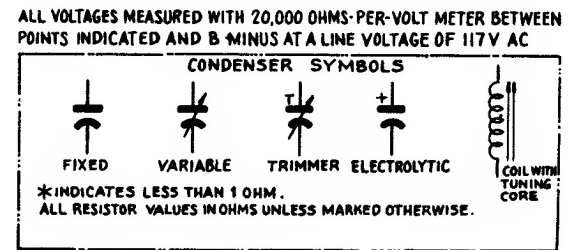
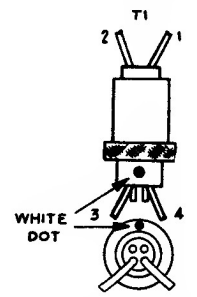
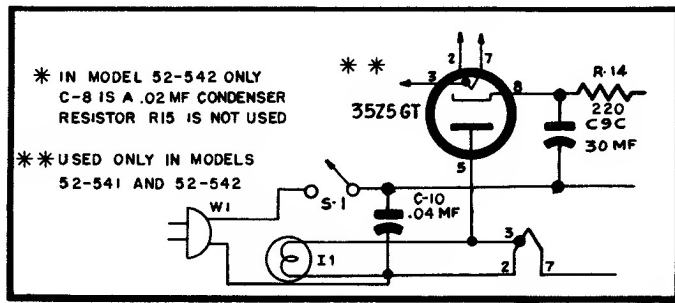


**PHILCO RADIO MODELS 52-540, 52-540-1,  
 52-541, 52-541-1, AND 52-542-1**



IF = 455 KC



The material on Philco sets in this manual is reprinted through the courtesy of Philco Corp.

Philco Models 52-540, 52-540-1, 52-541, 52-541-1 and 52-542-1

**ALIGNMENT PROCEDURE**

**CONTROLS:** Turn on radio and set volume control to maximum.

**DIAL POINTER:** Turn tuning condenser to full-mesh position. Set dial pointer to index mark, located to left of "55."

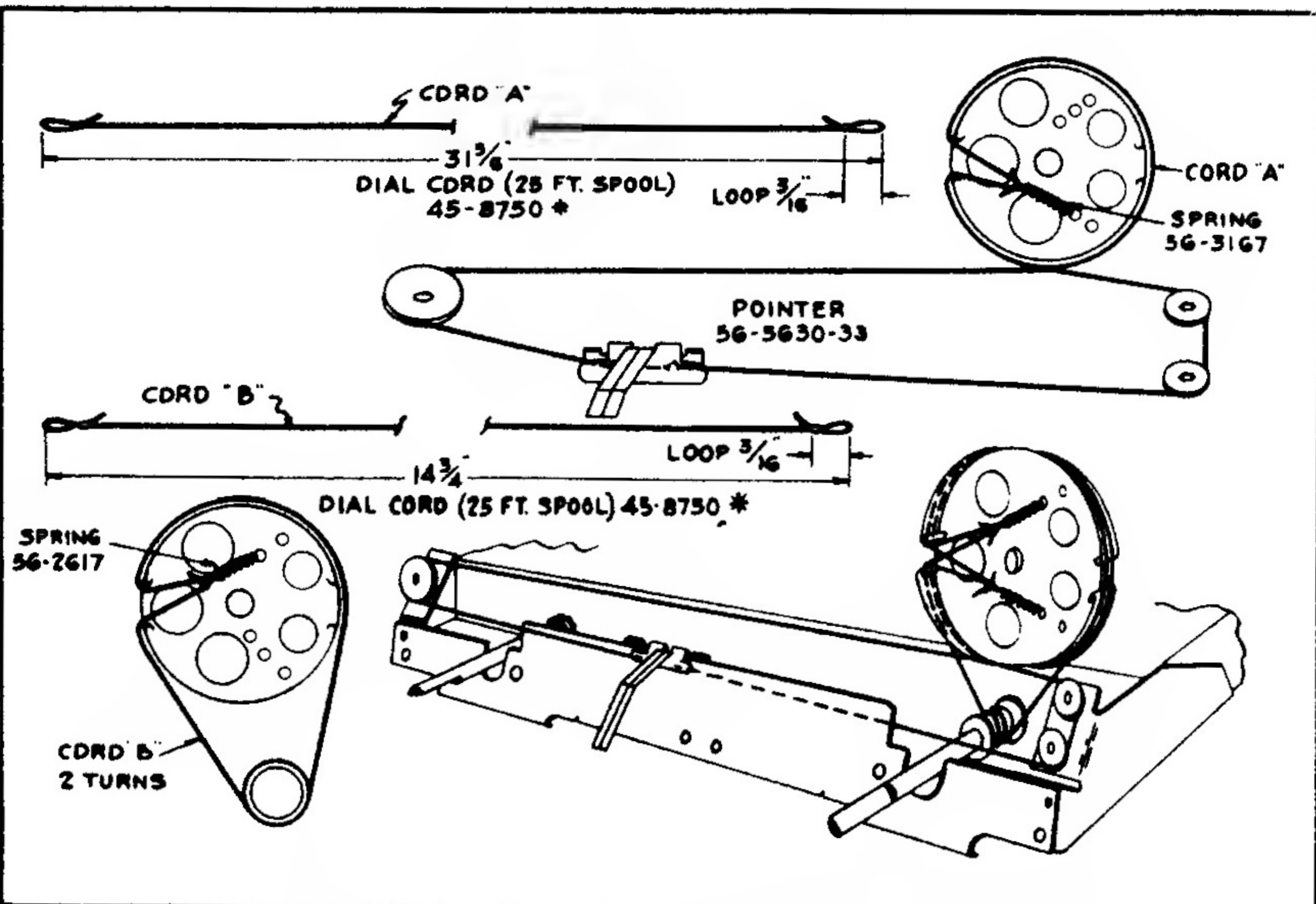
**OUTPUT METER:** Connect across voice-coil terminals.

**SIGNAL GENERATOR:** Connect as indicated in chart. Use modulated output.

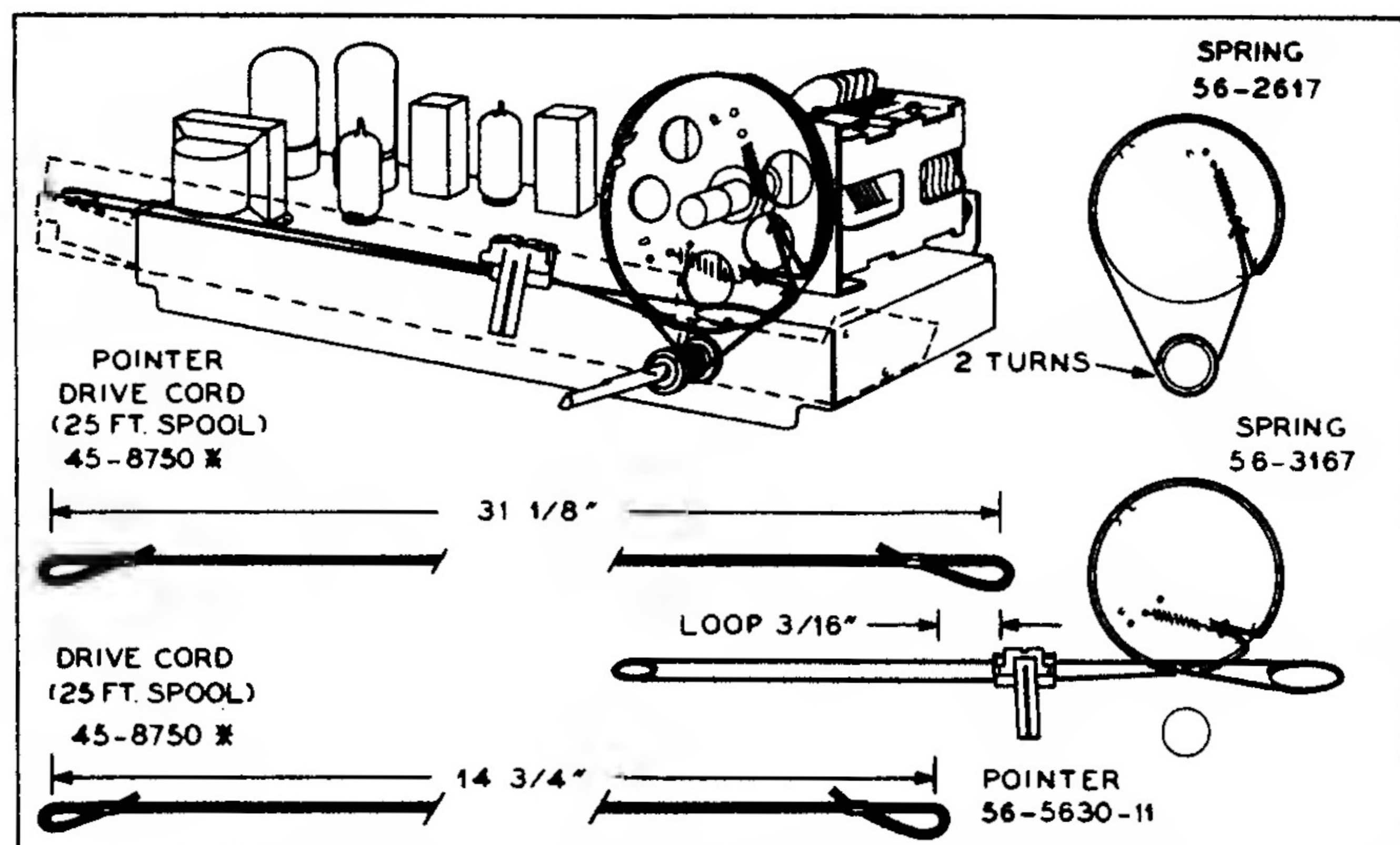
**OUTPUT LEVEL:** During alignment, attenuate signal-generator output to maintain output-meter indication below 1.25 volts.

STEP	SIGNAL GENERATOR		RADIO		ADJUST
	CONNECTION TO RADIO	DIAL SETTING	DIAL SETTING	SPECIAL INSTRUCTIONS	
1	Ground lead to B—; output lead through .1-uf. condenser to pin 6 of 7A8 converter.	455 kc.	540 kc. (gang fully meshed)	Adjust tuning cores, in order given, for maximum output.	TC4—2nd i-f sec. TC3—2nd i-f pri. TC2—1st i-f sec. TC1—1st i-f pri.
2	Radiating loop; see note below.	1600 kc.	1600 kc.	Adjust trimmer for maximum output.	C1B—osc.
3	Same as step 2.	1500 kc.	1500 kc.	Adjust trimmer for maximum output.	C1A—aerial

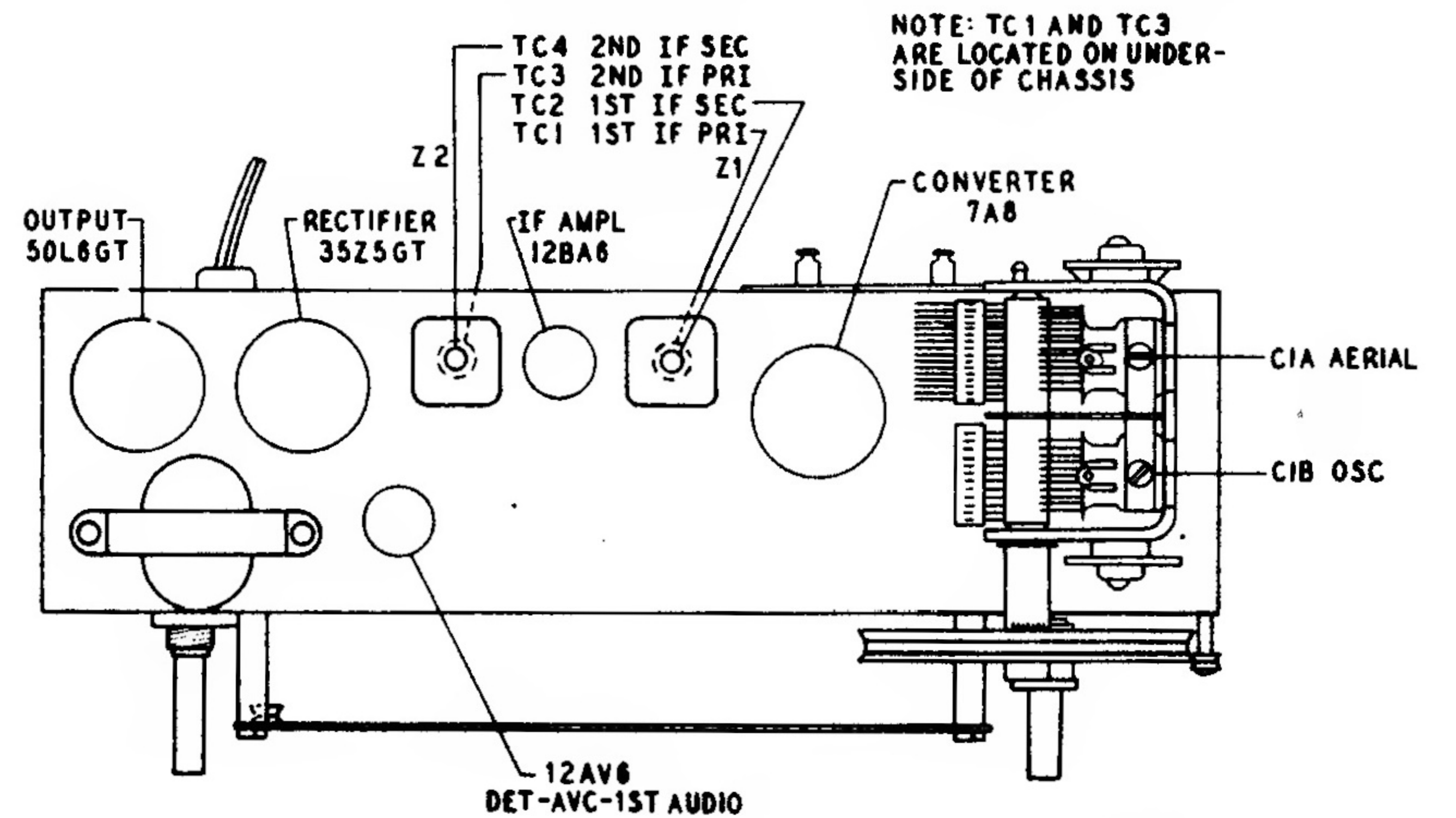
**RADIATING LOOP:** Make up a 6—8 turn, 6-inch-diameter loop from insulated wire; connect to signal-generator leads and place near radio loop antenna.



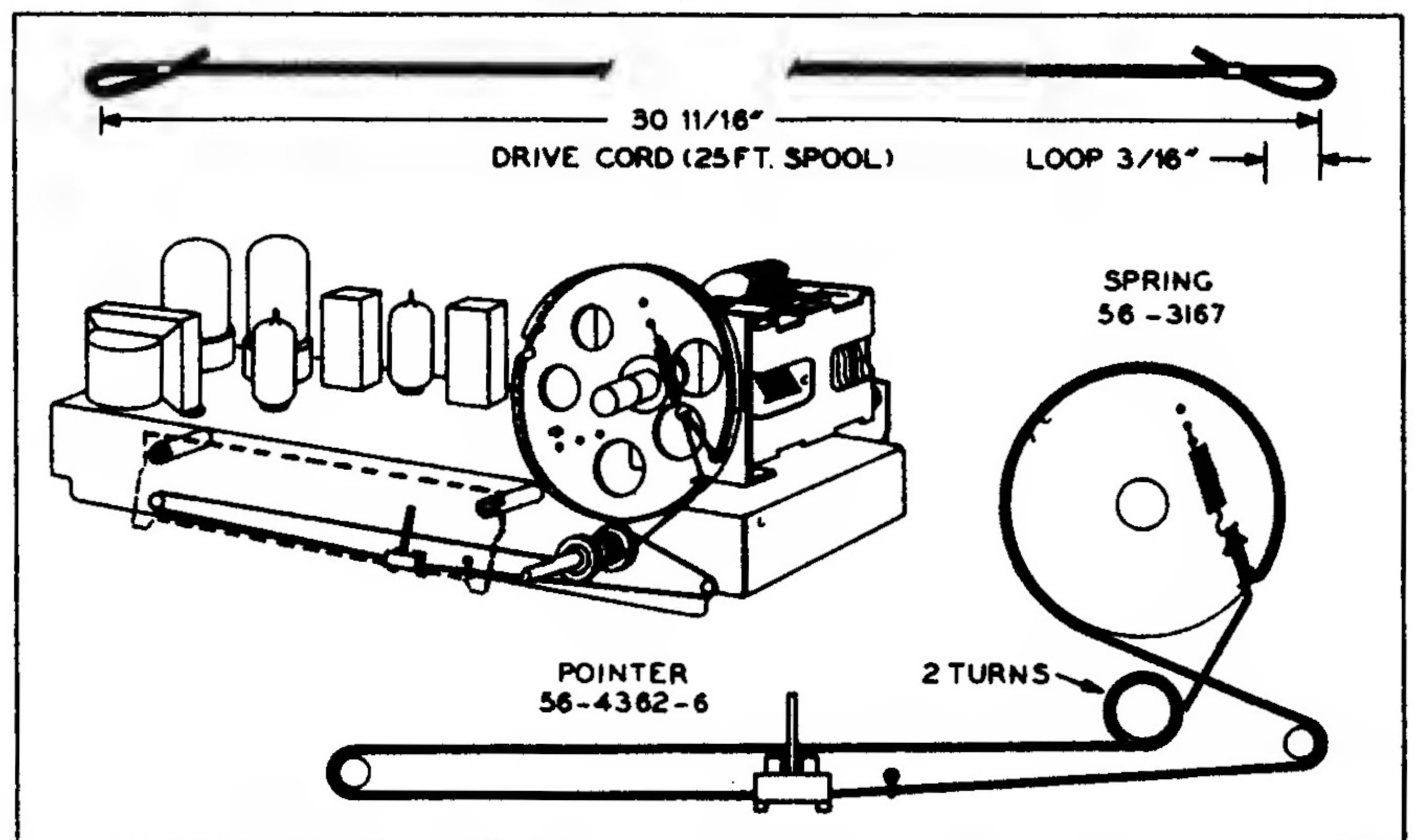
**Drive-Cord Installation Details, Model 52-542-1**



**Drive-Cord Installation Details, 52-541 and 52-541-1**



**Top View, Showing Trimmer Locations**



**Models 52-540 and 52-540-1**

