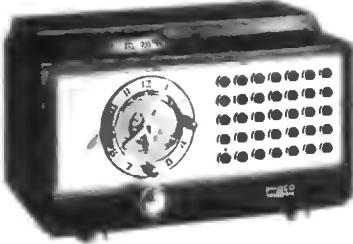


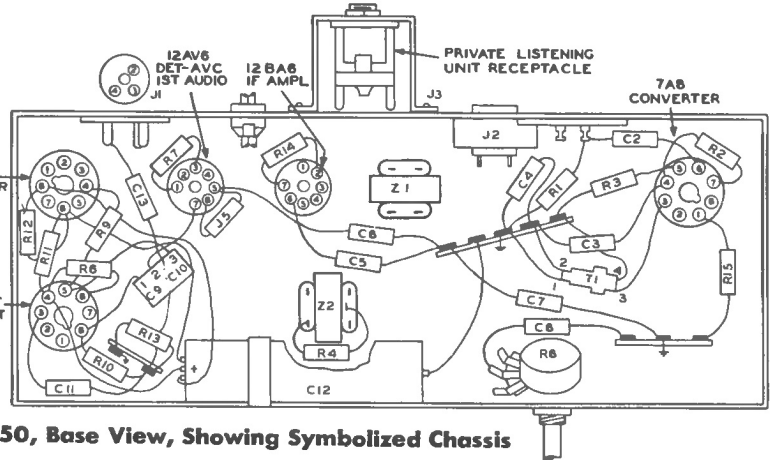
PHILCO RADIO-CLOCK MODELS 52-543, 52-545, 52-547, AND 52-550

Models 52-543, 52-545, 52-547, and 52-550 are electrically similar to Model 52-544, but they are housed in different style cabinets, and incorporate certain circuit refinements over Model 52-544.

The following diagrams and the Service Information are for Models 52-543, 52-545, 52-547, and 52-550 only.

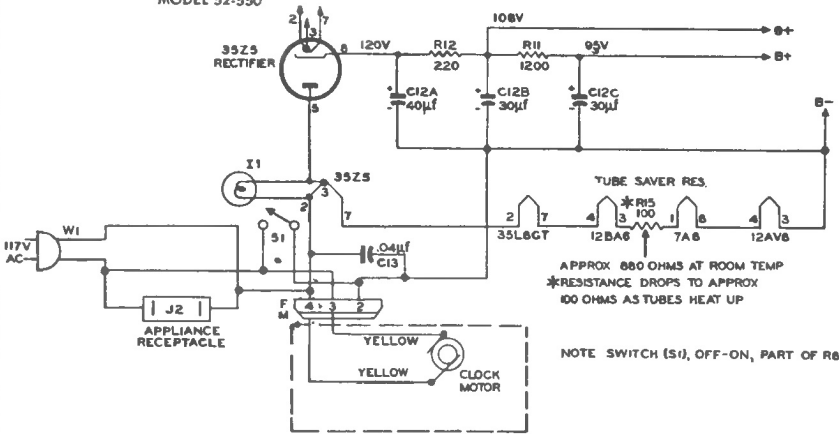


MODEL 52-547

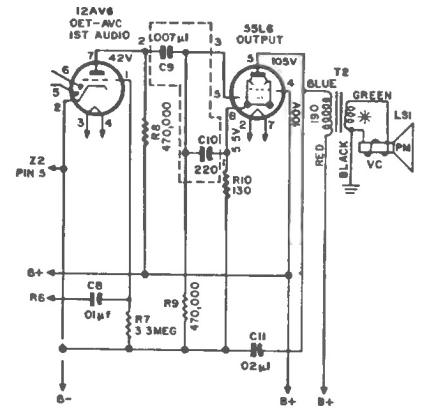


Model 52-550, Base View, Showing Symbolized Chassis

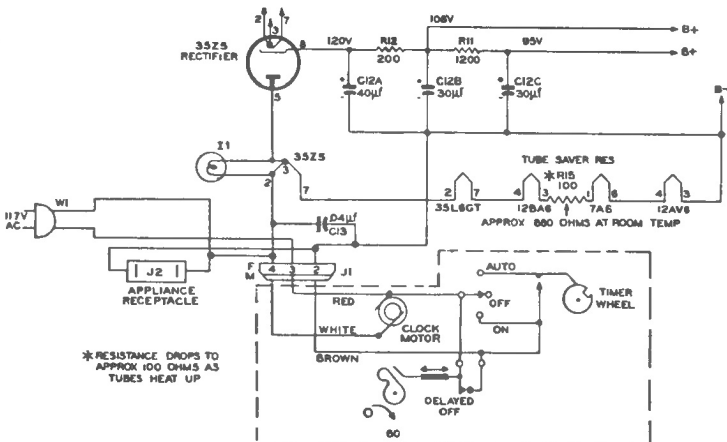
MODEL 52-550



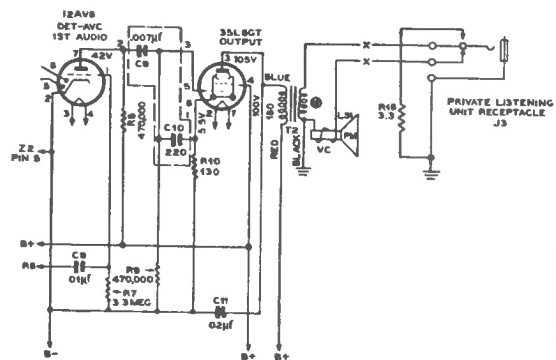
Model 52-543, Power and Clock Circuits



Models 52-543, 52-545, and 52-547, Output Circuit

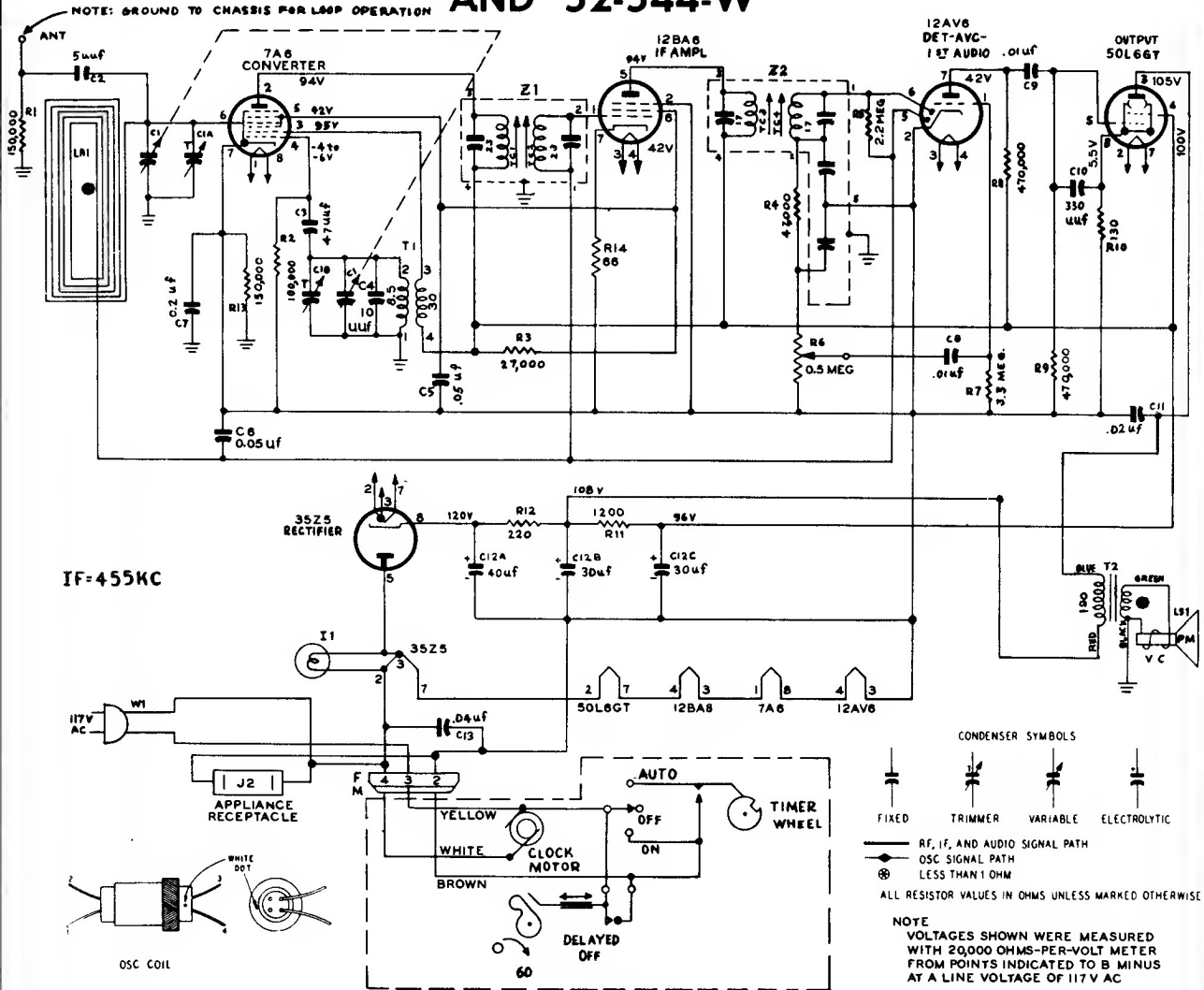


52-545, 52-547, and 52-550, Power and Clock Circuits



Model 52-550, Output Circuit

PHILCO RADIO-CLOCK MODELS 52-544, 52-544-I AND 52-544-W



ALIGNMENT

| STEP | SIGNAL GENERATOR | | RADIO | | ADJUST |
|------|---|--------------|--------------------------------|--|--|
| | CONNECTION TO RADIO | DIAL SETTING | DIAL SETTING | SPECIAL INSTRUCTIONS | |
| 1 | Connect ground lead to B—; output lead through .1- μ f. condenser to grid (pin 6) of 7A6. | 455 kc. | Tuning condenser fully meshed. | Adjust tuning cores, in order given, for maximum output. | TC4—2nd i-f sec. TC3—2nd i-f pri. TC2—1st i-f sec. |
| 2 | Radiating loop (see note below). | 1600 kc. | 1600 kc. | Adjust trimmer for maximum output. | C1B—Osc. |
| 3 | Same as step 2. | 1500 kc. | 1500 kc. | Adjust trimmer for maximum output. | C1A—Aerial |

RADIATING LOOP: Make up a 6–8 turn, 6-inch-diameter loop, from insulated wire; connect to signal-generator leads and place near radio loop aerial.