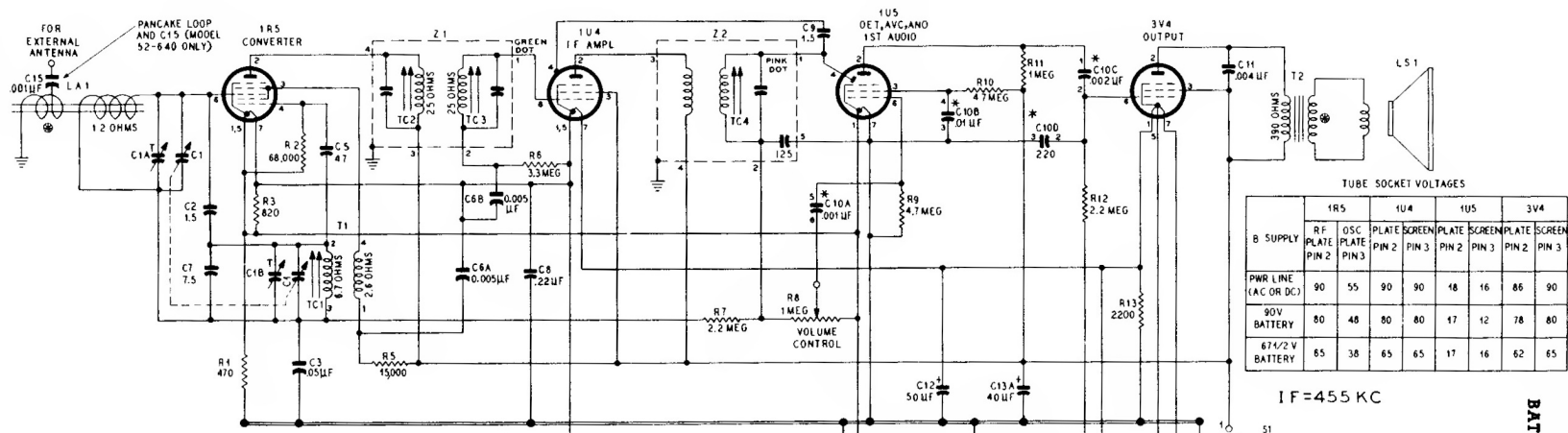


# PHILCO RADIO MODELS 52-640 AND 52-641



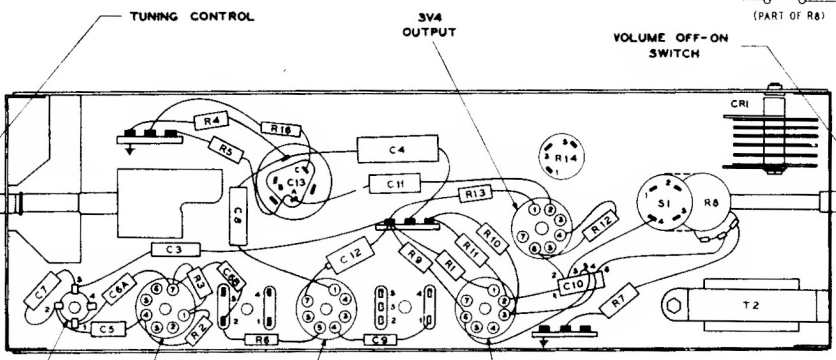
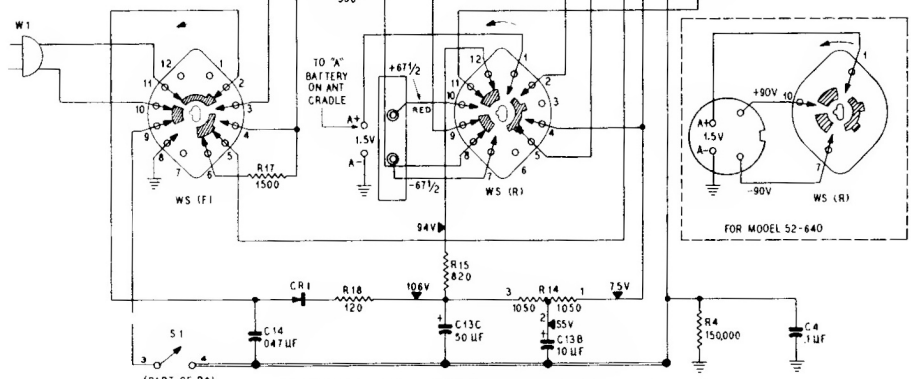
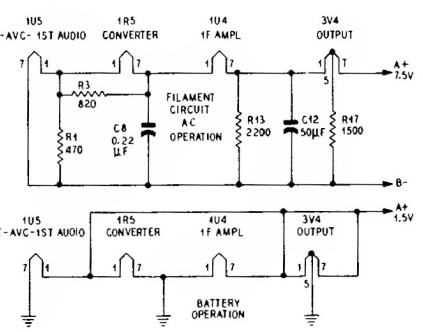
TUBE SOCKET VOLTAGES

B SUPPLY	1R5		1U4		1U5		3V4	
	RF PLATE PIN 2	OSC PLATE PIN 3	PLATE PIN 2	SCREEN PIN 3	PLATE PIN 2	SCREEN PIN 3	PLATE PIN 2	SCREEN PIN 3
PWR LINE (AC OR DC)	90	55	90	90	48	16	85	90
90V BATTERY	80	48	80	80	17	12	78	80
67 1/2 V BATTERY	85	38	65	65	17	16	62	65

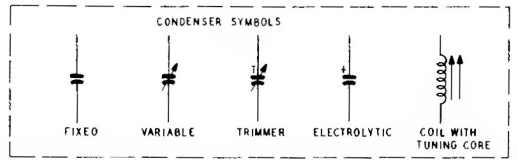
IF=455 KC

BATTERY TYPE

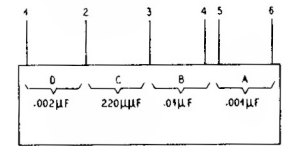
Model 52-640 ..... P-364  
 Model 52-641 ..... P-67 "B" battery; Type D "A"



Bottom View



NOTES  
 ALL RESISTOR VALUES IN OHMS AND ALL CONDENSER VALUES IN  $\mu$ UF UNLESS OTHERWISE MARKED.  
 \* LESS THAN 1 OHM  
 ALL VOLTAGES SHOWN WERE MEASURED WITH A 20,000 OHMS-PER-VOLT METER FROM POINTS INDICATED TO B-.



\* C10 FOUR SECTION CONDENSER

