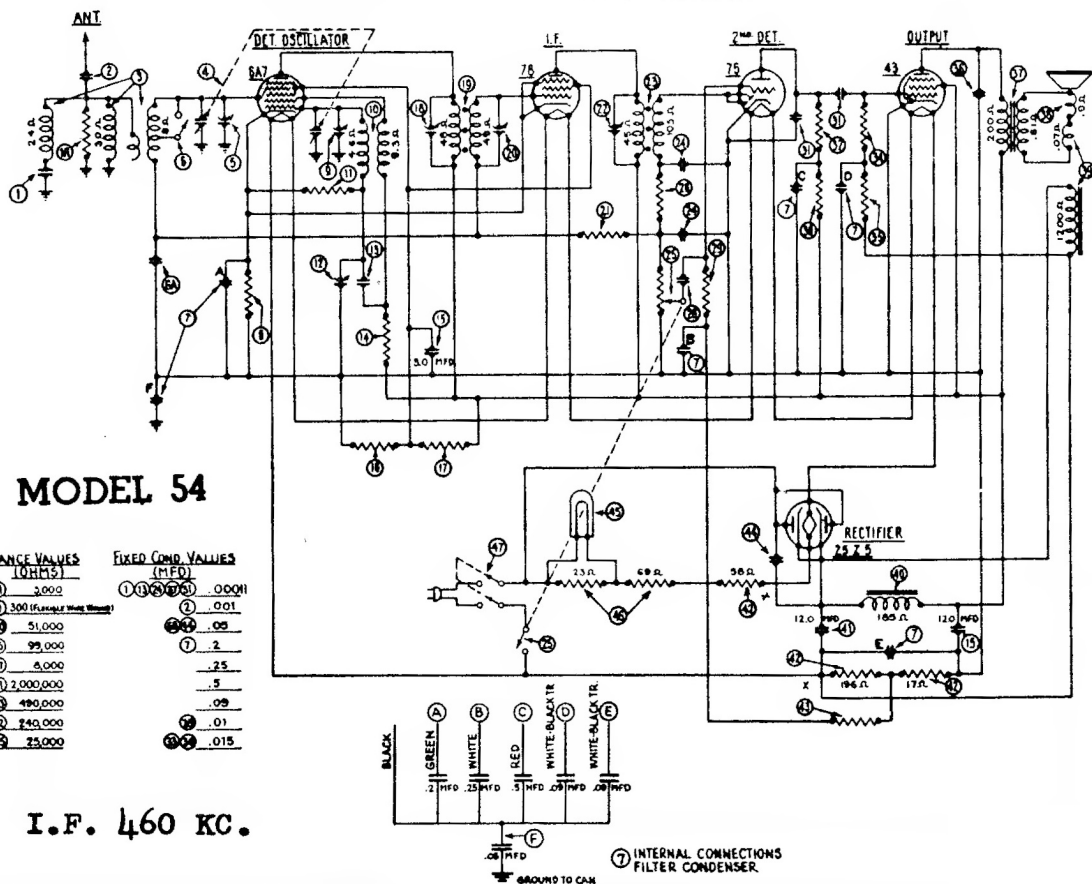
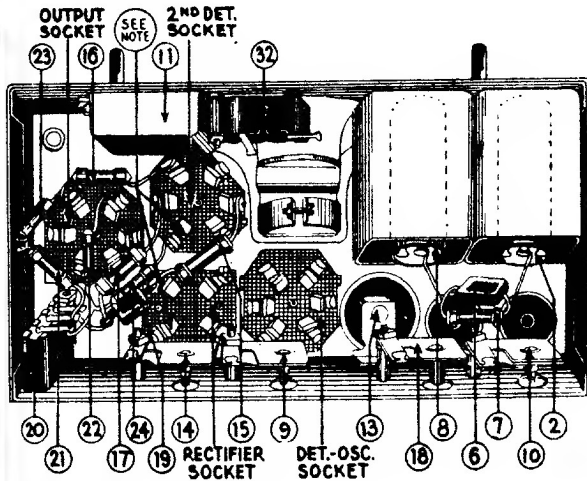


MODEL 53 Philco Radio
I.F. 450 KC.



MODEL 54
I.F. 460 KC.

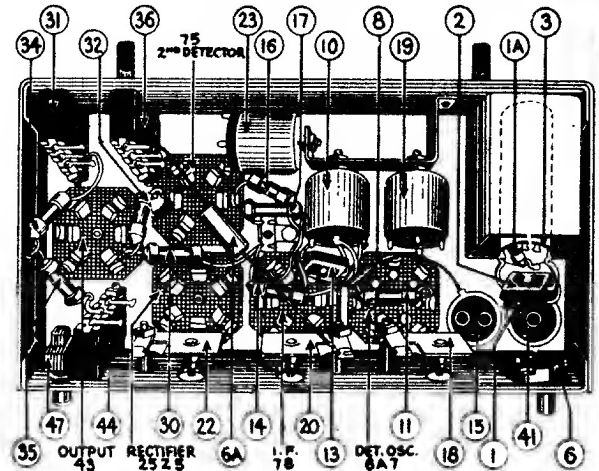
Model 53



| No. on Figs. 2, 3 and 4 | Description | Part No. |
|-------------------------|--|---------------------|
| 1 | Volume Control | 33-5001 |
| 2 | Antenna Transformer | 32-1000 |
| 3 | Tuning Condenser Assembly | 31-1000 |
| 4 | Compensating Condenser (Part of Tuning Condenser Assembly) | |
| 6 | Filter Condenser Block (.05-.09-.25-.75-2 Mfd.) | 30-4000 |
| 6 | Condenser (.0014 Mfd.) | 7007 |
| 7 | Resistor (8,000 ohms) Gray-Black-Red | 5838 |
| 7 | Oscillator Transformer | 32-1001 |
| 8 | Compensating Condenser (I.F. Primary) | 04000-A |
| 10 | Compensating Cond. (Low Frequency) | 04000-S |
| 10 | Condenser (10.0 Mfd.) | 7440 |
| 12 | Compensating Condenser (Part of Tuning Condenser Assembly) | |
| 14 | I.F. Transformer | 32-1002 |
| 14 | Compensating Cond. (I.F. Secondary) | 04000-A |
| 14 | Resistor (10,000 ohms) Brown-Black-Orange | 4412 |
| 14 | Resistor (490,000 ohms) Yellow-White-Yellow | 4517 |
| 15 | Resistor (10,000 ohms) Brown-Black-Orange | 4412 |
| 15 | Compensating Condenser (Regeneration) | 04000 |
| 15 | Condenser (.00025 Mfd.) | 3082 |
| 20 | Condenser (.01 Mfd.) | 3903-AM |
| 20 | Resistor (240,000 ohms) Red-Yellow-Yellow | 4410 |
| 20 | Resistor (490,000 ohms) Yellow-White-Yellow | 4517 |
| 20 | Resistor (51,000 ohms) Green-Brown-Orange | 4518 |
| 20 | Resistor (99,000 ohms) White-White-Orange | 4411 |
| 20 | Condenser (.015 Mfd.) | 3793-S |
| 20 | Output Transformer | 32-7000 |
| 20 | Voice Coil and Cone Assembly | 36-3000 |
| 20 | A. C. Switch (Part of Volume Control Assembly) | 33-5001 |
| 20 | Resistors (2 Wire Wound-108 ohms each) | {33-3000 33-3001 |
| 20 | Electrolytic Condenser (8 Mfd.) | 30-2000 |
| 20 | Electrolytic Condenser (8 Mfd.) | 30-2000 |
| 20 | Condenser (.05 Mfd.) | 3615-E |
| 20 | Filter Choke | 32-7001 |
| 20 | Tube Shield | 7172 |
| 20 | Knobs (Both Controls) | 03084 |
| 20 | Four Prong Socket | 7544 |

Model 54

(A. C.—D. C.)



| No. on Figs. | Description | Part No. |
|--------------|--|----------|
| 1 | Condenser | 30-1005 |
| 1a | Resistor (Green-Black-Red) | 6096 |
| 2 | Condenser | 5215 |
| 3 | Antenna Transformer Assembly | 32-1117 |
| 4 | Tuning Condenser Assembly | 31-1027 |
| 6 | Compensating Condenser (Part of 4) | |
| 6 | Wave Band Switch | 42-1027 |
| 6a | Condenser | 30-4020 |
| 7 | Filter Condenser (Block) | 30-4023 |
| 8 | Resistor (Flexible) | 33-3010 |
| 8 | Compensating Condenser (High Frequency 1400) Part of 4 | |
| 10 | Oscillator Coil | 32-1118 |
| 11 | Resistor (Green-Brown-Orange) | 4518 |
| 12 | Compensating Condenser (Low Freq.) | 04000-B |
| 13 | Condenser | 4519 |
| 14 | Resistor (Green-Black-Red) | 5310 |
| 14 | Electrolytic Condenser (Double) | 30-2002 |
| 16 | Resistor (White-White-Orange) | 4411 |
| 17 | Resistor (Gray-Black-Red) | 5838 |
| 18 | Compensating Cond. (1st I. F. Primary) | 04000-A |
| 18 | 1st I. F. Transformer | 32-1115 |
| 18 | Compensating Condenser (1st I. F. Secondary) | 04000-A |
| 21 | Resistor (Red-Black-Green) | 5872 |
| 22 | Compensating Cond. (2nd I. F. Primary) | 04000-A |
| 22 | 2nd I. F. Transformer | 32-1116 |
| 24 | Condenser (Double) | 8035-G |
| 26 | Volume Control and "On-Off" Switch | 33-5010 |
| 26 | Resistor (Green-Brown-Orange) | 4518 |
| 26 | Condenser | 3903AM |
| 26 | Resistor (Yellow-White-Yellow) | 6097 |
| 26 | Resistor (Green-Brown-Orange) | 4518 |
| 31 | Condenser (Double) | 8035-F |
| 32 | Resistor (Red-Yellow-Yellow) | 4410 |
| 34 | Resistor (Yellow-White-Yellow) | 4517 |
| 34 | Resistor (Red-Green-Orange) | 4516 |
| 36 | Condenser | 3793-Y |
| 37 | Output Transformer | 32-7020 |
| 38 | Voice Coil and Cone Assembly | 36-3029 |
| 38 | Field Coil and Pot Assembly | 36-3040 |
| 38 | Filter Choke | 32-7036 |
| 41 | Electrolytic Condenser | 30-2001 |
| 42 | Resistor (Wire Wound) | 33-3012 |
| 42 | Resistor (Yellow-White-Yellow) | 6097 |
| 44 | Condenser | 3615-B |
| 44 | Pilot Lamp | 4567 |
| 46 | Resistor (Wire Wound) | 33-3011 |
| 47 | Safety Switch | 42-1028 |
| 47 | Tube Shield | 28-1130 |
| 47 | Six Prong Socket | 7547 |
| 47 | Seven Prong Socket | 27-6005 |