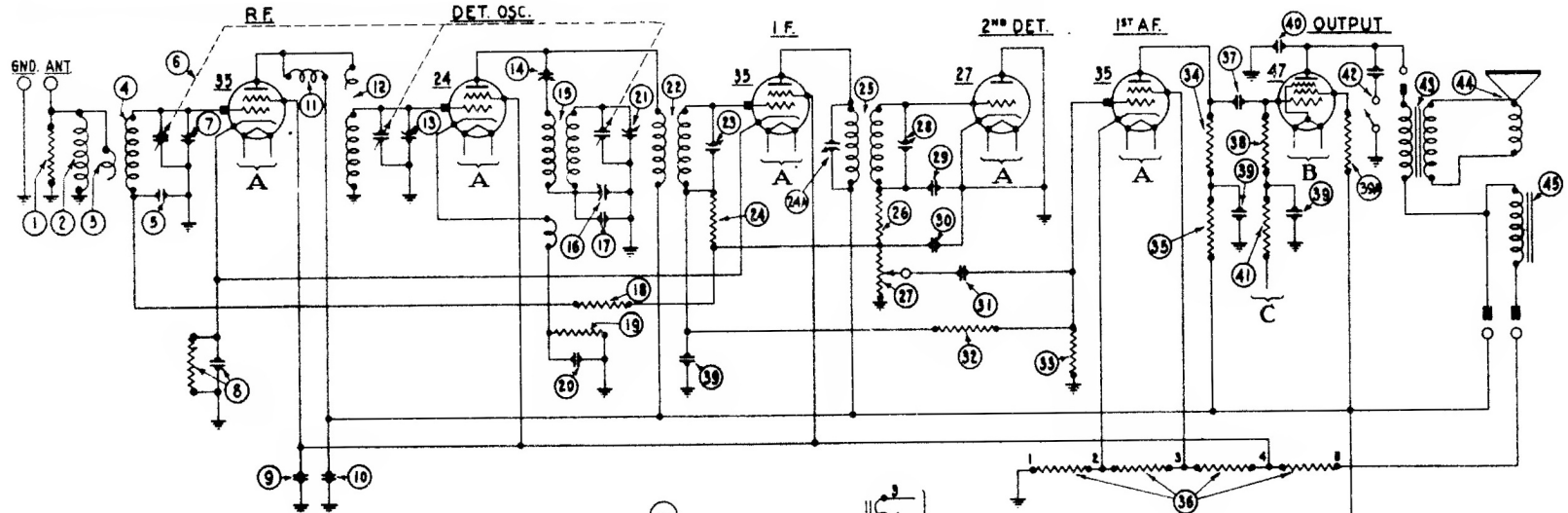


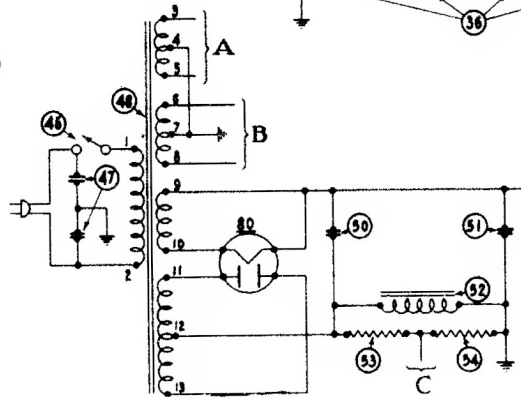
MODELS 70 AND 70-A

(A. V. C.)



- ① Volume Control
- ② R. F. Transformer
- ③ Tuning Condenser (50-60 cycles)
- ④ Tuning Condenser (25-40 cycles)
- ⑤ Compensating Condenser — Antenna—(Part of Gang Condenser Assembly)
- ⑥ Condenser (.09 mfd. Double)
- ⑦ Detector Transformer
- ⑧ Compensating Condenser — Detector—(Part of Gang Condenser Assembly)
- ⑨ Oscillator Coil
- ⑩ Condenser (410 mmf.)
- ⑪ Compensating Condenser—Low Frequency
- ⑫ Resistor (51,000 ohms)
- ⑬ Condenser (.09 mfd. Double)
- ⑭ Compensating Condenser—High Frequency — (Part of Gang Condenser Assembly)
- ⑮ Resistor (5,000 ohms)
- ⑯ Condenser (110 mmf.)

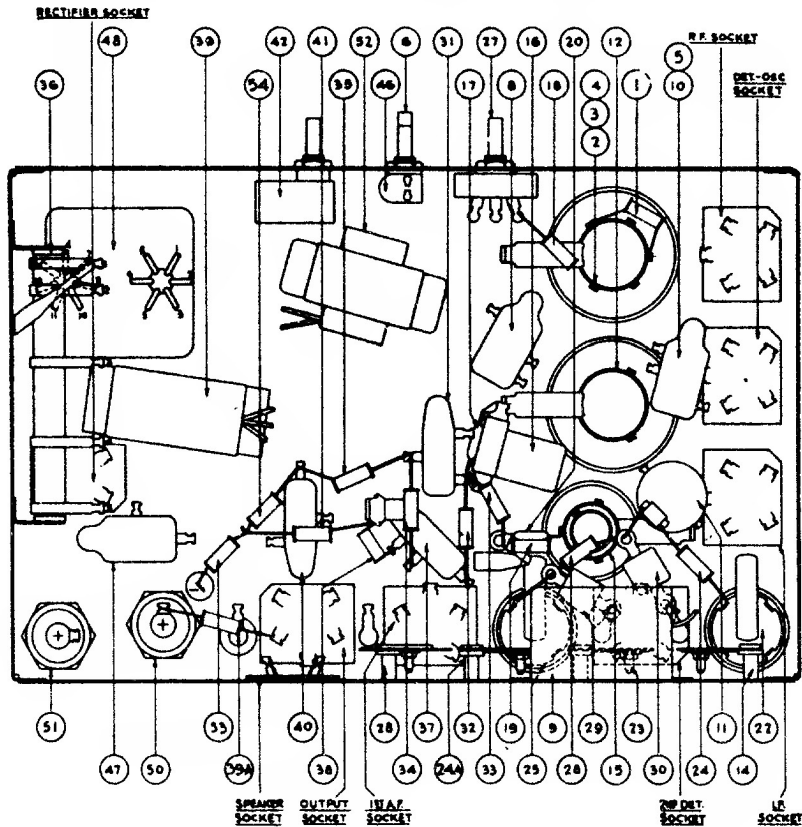
- ⑰ Resistor (13,000 ohms)
- ⑱ Compensating Condenser—1st I. F. Primary
- ⑲ First I. F. Transformer
- ⑳ Compensating Condenser—1st I. F. Secondary
- ㉑ Second I. F. Transformer
- ㉒ Condenser (.05 mfd.)
- ㉓ Compensating Condenser—2nd I. F. Secondary
- ㉔ Condenser (.5 mfd.)
- ㉕ Resistor (51,000 ohms)
- ㉖ Condenser (500 mmf.)
- ㉗ Condenser (250 mmf.)
- ㉘ R. F. Choke
- ㉙ Condenser (.09 Combined with 250 ohm Resistor)
- ㉚ Resistor (240,000 ohms)
- ㉛ Resistor (45,000 ohms) 50-60 cycles
- ㉜ Resistor (99,000 ohms) 25-40 cycles



- ⑤② Condenser (.01 mfd.)
- ⑤③ Resistor (240,000 ohms)
- ⑤④ Condenser (.25 mfd.)
- ⑤⑤ Output Transformer
- ⑤⑥ Voice Coil and Cone Assembly
- ⑤⑦ Field Coil (Assembled with Pot)
- ⑤⑧ B. C. Resistor
- ⑤⑨ Electrolytic Condenser (6 mfd.) 50-60 cycles
- ⑤⑩ Choke
- ⑤⑪ Condenser (.09 mfd.) 50-60 cycles
- ⑤⑫ Electrolytic Condenser (6 mfd.) 50-60 cycles
- ⑤⑬ Pilot Light
- ⑤⑭ Power Transformer (50-60 cycles)
- ⑤⑮ "On-Off" Switch
- ⑤⑯ Condenser (.015 mfd. Double)

I.F. 260 KC.

Philco Radio



REPLACEMENT PARTS MODELS 70 AND 70-A

(Above Serial No. B-22,000)

No. on Figs. 3 and 4	Description	Part No.	No. on Figs. 3 and 4	Description	Part No.
①	Resistor (10,000 ohms)	4112	Ⓐ	B. C. Resistor	04196
②	Antenna Coil	04339	Ⓑ	Condenser (.01 mfd.)	3903-T
③	Condenser (.05 mfd.) double	3615-AF	Ⓒ	Resistor (490,000 ohms)	4517
④	Tuning Condenser Assembly 50-60 cycles	04164	Ⓓ	Filter Condenser Block (.05, .25, 1.5 mfd.)	04194
⑤	Tuning Condenser Assembly 25-40 cycles	04165	ⒺA	Resistor (3,000 ohms)	5809
⑥	Compensating Condenser — Antenna — (Part of Tuning Condenser Assembly)		Ⓕ	Condenser (.01 mfd.)	3903-U
⑦	Condenser (.09 mfd. and 200 ohm Resistor)	4989-L	Ⓖ	Resistor (330,000 ohms) 50-60 cycles	6046
⑧	Condenser (.5 mfd.)	3583	Ⓗ	Resistor (490,000 ohms) 25-40 cycles	4517
⑨	Combined with ⑧		Ⓘ	Tone Control	03637
⑩	R. F. Choke	04196	Ⓚ	Output Transformer	2673
⑪	Interstage Coil	04186	Ⓛ	Voice Coil & Cone Assembly	02996
⑫	Compensating Condenser — Detector — (Part of Tuning Condenser Assembly)		Ⓜ	Field Coil Assembled with Pot	02966
⑬	Compensating Condenser—Coupling	04000-M	Ⓝ	On-Off Switch	4095
⑭	Oscillator Coil	04186	Ⓞ	Condenser (.015 mfd. Double)	3793-H
⑮	Compensating Condenser — Low Fre- quency	04000-F	Ⓟ	Power Transformer (50-60 cycles)	5117
⑯	Condenser (410 mmf.)	5120	Ⓠ	Power Transformer (25-40 cycles)	5118
⑰	Resistor (2,000,000 ohms)	5872	Ⓡ	Power Transformer (50-60 cycles, 230 volts)	5119
⑱	Resistor (10,000 ohms)	4412	Ⓢ	Pilot Light	3463
⑲	Condenser (700 mmf.)	4520	Ⓣ	Electrolytic Condenser (6 mfd.) 50-60 cycles	4916
⑳	Compensating Condenser — High Fre- quency—(part of Tuning Condenser Assembly)			Electrolytic Condenser (14 mfd.) 25-40 cycles	5725
㉑	First I. F. Transformer	04190	Ⓤ	Electrolytic Condenser (6 mfd.) 50-60 cycles	4916
㉒	Compensating Condenser—First I. F.	04000-M		Electrolytic Condenser (10 mfd.) 25-40 cycles	5142
㉓	Resistor (2,000,000 ohms)	5872	Ⓡ	Filter Choke	4619
㉔A	Compensating Condenser 2nd I. F. Primary	04000-M	Ⓢ	Resistor (51,000 ohms)	4618
㉔B	Second I. F. Transformer	03039	Ⓣ	Resistor (490,000 ohms)	4517
㉕	Resistor (99,000 ohms)	4411		Tube Shield	04106
㉖	Volume Control	6015		Knob (Large)	02004
㉗	Compensating Condenser—Second I. F.	04000-M		Knob (Small)	03437
㉘	Condenser (110 mmf.)	4519		Knob Spring	4147
㉙	Condenser (110 mmf.)	4519		Grid Clip	4897
㉚	Condenser (.01 mfd.)	3903-G		Five Prong Socket Assembly	4965
㉛	Resistor (4,000,000 ohms)	6010		Four Prong Socket Assembly	4965
㉜	Resistor (1,000,000 ohms)	4409		Dial Complete	03031
㉝	Resistor (70,000 ohms)	5385		Bezel	6312
㉞	Resistor (25,000 ohms)	4516		Chassis Mounting Screw	W-468
				Mounting Washer	W-315
				Rubber Washer	5189