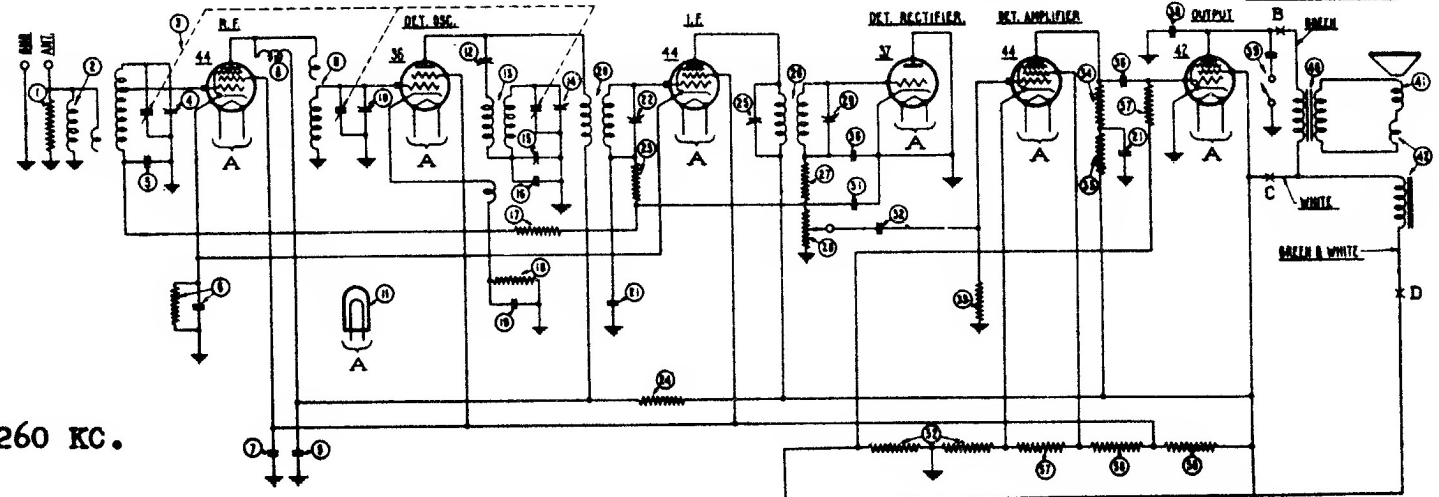
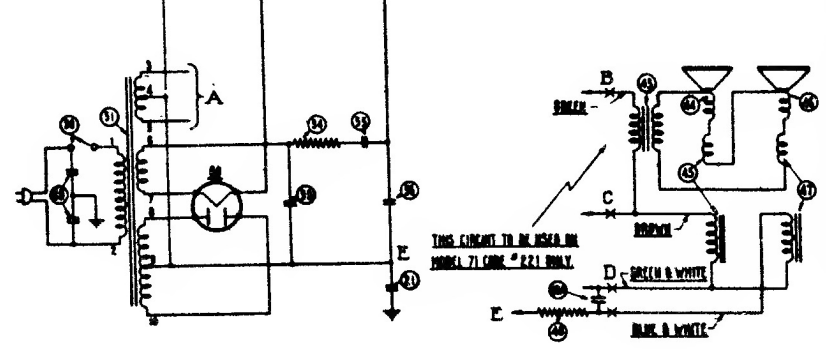
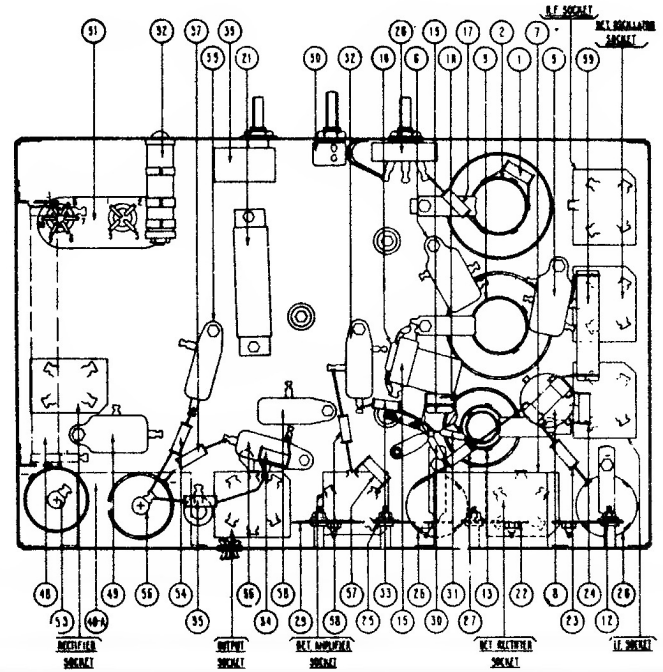


THIS CIRCUIT TO BE USED ON  
MODEL 71 - CODE "R1" ONLY.



I.F. 260 KC.



# Model 71

Philco Radio

## Replacement Parts for Model 71 Series

① Resistor (10,000 ohms)	4412	④ Speaker Field and Bucking Coil assembled with pot—(K-7) single speaker models	02761
② R. F. Transformer	04339	④ Output Transformer — Twin speaker models	2584
③ Tuning Condenser (50-60 cycles)	04733	④ Voice Coil and cone assembly	02823
④ Tuning Condenser (25-40 cycles)	04734	④ Speaker Field and Bucking Coil assembled with pot—(K-10) Twin speaker models	02767
⑤ Condenser (.05 Mfd. double)	3615-AF	④ Voice coil and cone assembly	02823
⑥ Condenser (.09 Mfd. and 200 ohm resistor)	4989-L	④ Speaker field assembled with pot—(K-9) Twin speaker models	02762
⑦ Condenser (.5 Mfd.)	3583	④ Resistor (5620 ohms) wire wound — Twin speaker models	6451
⑧ R. F. Choke	04198	④ A Condenser (.25 Mfd.) Twin Speaker Models	04997
⑨ Detector Transformer	04185	④ Condenser (.015 Mfd. Double)	3793-H
⑩ Compensating Condenser—Detector—Part of tuning condenser assembly		④ On-off Switch	6498
⑪ Pilot Light	6608	④ Power Transformer—50-60 cycles—single speaker	6454
⑫ Compensating Condenser—1st I. F. primary	04000-M	④ Power Transformer—25-40 cycles—single speaker	6455
⑬ Oscillator Coil	04188	④ Power Transformer—50-60 cycles—230 volts—single speaker	6456
⑭ Compensating Condenser—High frequency—Part of tuning condenser assembly		④ Power Transformer—50-60 cycles—twin speaker	6457
⑮ Compensating condenser—Low frequency	04000-F	④ Power Transformer—25-40 cycles—twin speaker	6458
⑯ Condenser (410 Mmf.) (Yellow and Orange)	5120	④ Power Transformer—50-60 cycles—230 volts—twin speaker	6459
⑰ Resistor (1,000,000 ohms)	4409	④ Resistor—wire wound (245 ohms and 185 ohms)	6452
⑱ Resistor (15,000 ohms)	6208	④ Electrolytic Condenser (6 Mfd.) (50-60 cycles) single speaker	6453
⑲ Condenser (700 Mmf.) (White and Yellow)	4520	④ 8 Mfd. Twin speaker	6707
⑳ First I.F. Transformer	04190	④ Resistor (10,000 ohms)	4412
㉑ Filter Condenser Bank (2—.05, .25 Mfd.)	04731	④ Condenser (.05 Mfd.)	3615-G
㉒ Compensating Condenser—1st I. F. secondary	04000-M	④ Electrolytic Condenser (6 Mfd.) (50-60 cycles) single speaker	4916
㉓ Resistor (1,000,000 ohms)	4409	④ 8 Mfd. Twin speaker	6706
㉔ Resistor (1,000 ohms)	5837	④ Resistor (5,000 ohms)	5310
㉕ Compensating Condenser—2nd I. F. primary	04000-M	④ Resistor (5,000 ohms)	5310
㉖ Second I. F. Transformer	04319	④ Resistor (13,000 ohms)	6450
㉗ Resistor (99,000 ohms)	4411	④ Tube Shield (small)	5387
㉘ Volume Control	6469	④ Tube Shield (large)	04735
㉙ Compensating Condenser—2nd I. F. secondary	04000-M		
㉚ Condenser (110 Mmf.) (Blue and Golden Yellow)	4519		
㉛ Condenser (110 Mmf.) (Blue and Golden Yellow)	4519		
㉜ Condenser (.01 Mfd.)	3903-J		
㉝ Resistor (1,000,000 ohms)	4409		
㉞ Resistor (70,000 ohms)	5385		
㉟ Resistor (25,000 ohms) Single Speaker	4516		
Resistor (51,000 ohms) Twin Speaker Models	4518		
① Condenser (.01 Mfd.)	3903-N		
② Resistor (490,000 ohms)	4517		
③ Condenser (.01 Mfd.)	3903-AA		
④ Tone Control	04757		
⑤ Output Transformer — single speaker models	2580		
⑥ Voice Coil and Cone assembly	02823		

Philco Radio

