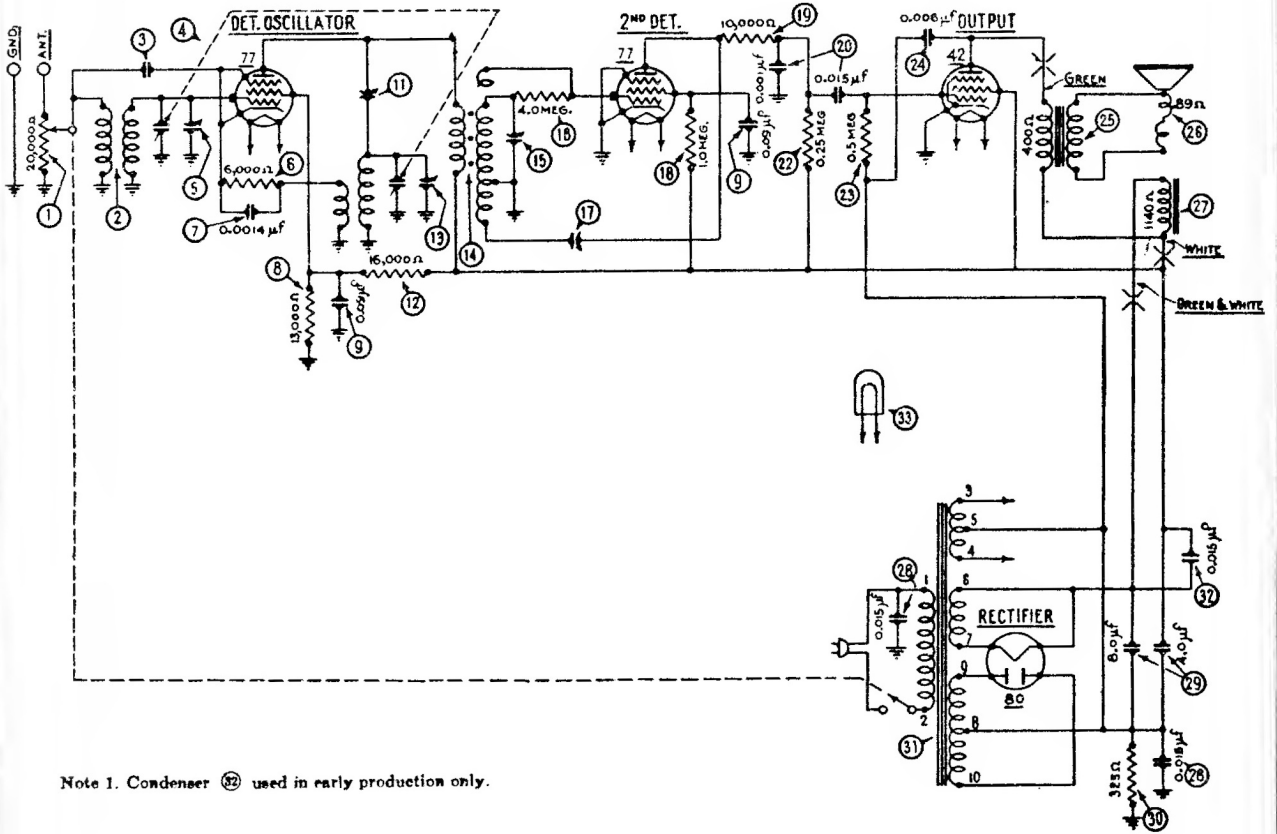
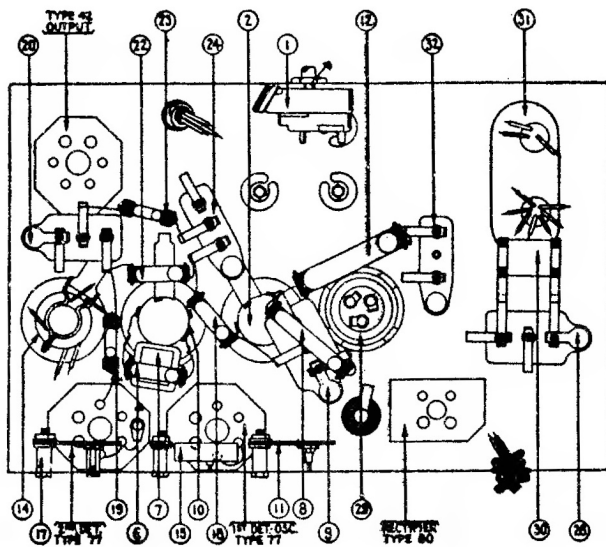


MODEL 84

Philco Radio



Note 1. Condenser 32 used in early production only.



I. F. 460 K. C.