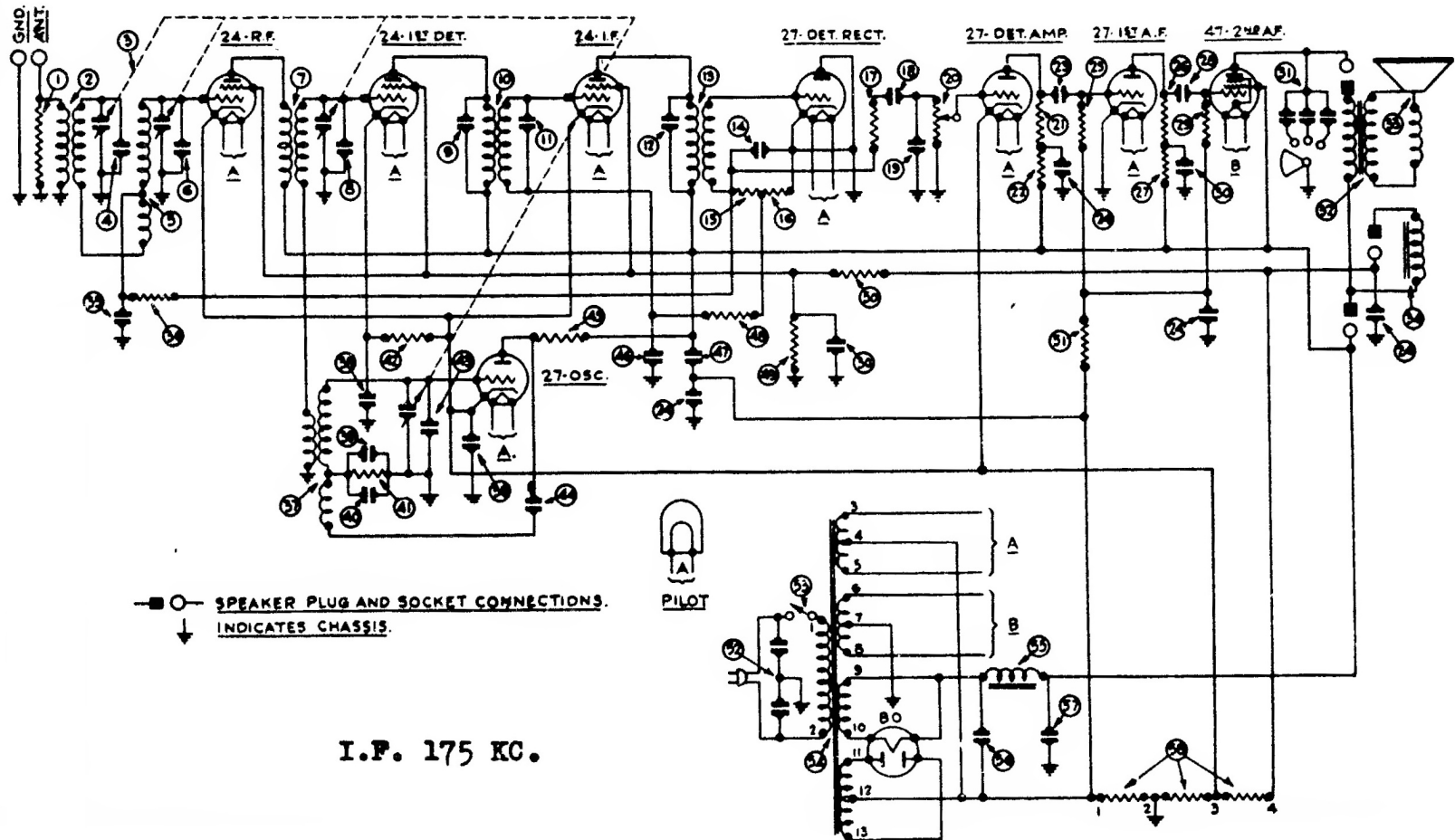


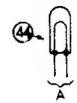
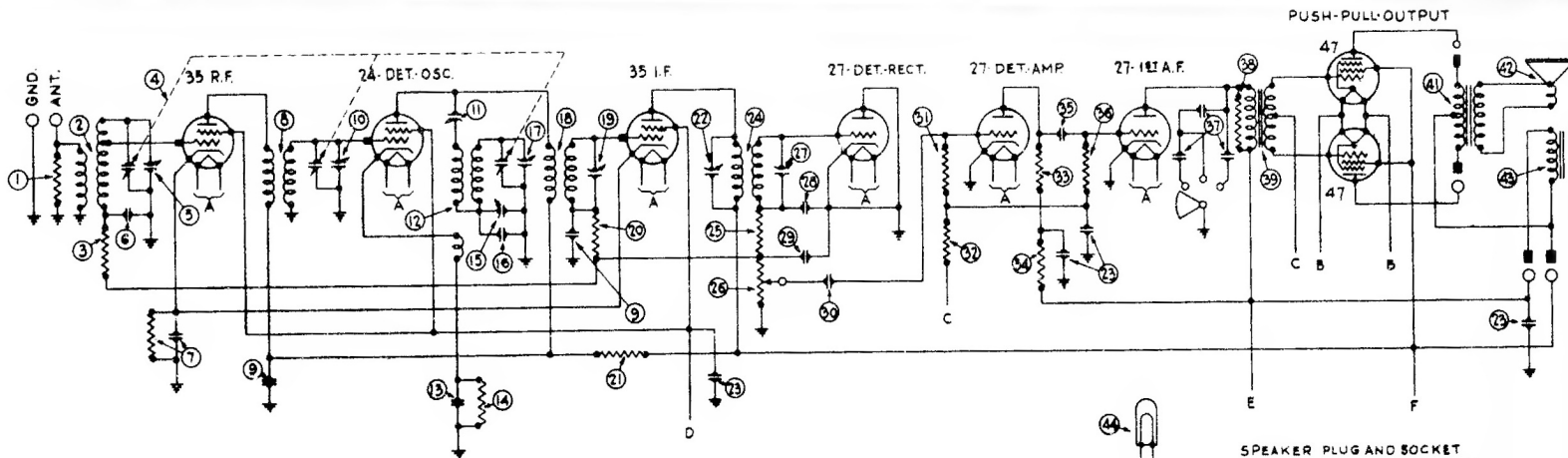


# Models 90 and 90-A

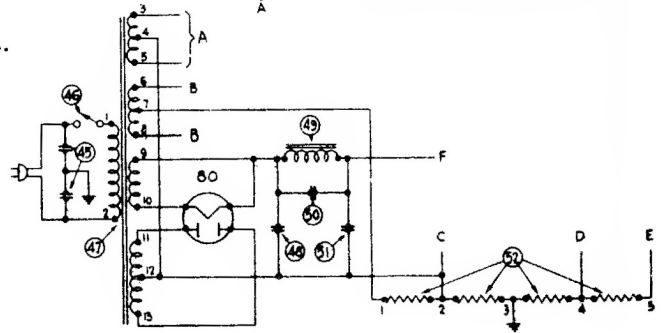
ABOVE SERIAL NO. 237,001  
WITH I-TYPE 47 TUBE

Philco Radio





SPEAKER PLUG AND SOCKET CONNECTIONS SHOWN



No. on Figs. 1 and 2	Description	Part No.
①	Resistor (10,000 Ohms)	4412
②	Antenna Transformer	04317
③	Resistor (1,000,000 Ohms)	4409
④	Tuning Condenser (50-80 cycles)	04309
⑤	Tuning Condenser (35-40 cycles)	04310
⑥	Compensating Condenser — Antenna — Part of Tuning Condenser Assembly	
⑦	Condenser (.05 Mfd.)	3615-L
⑧	Condenser (.09 Mfd. and 200 Ohm Resistor)	4989-L
⑨	Detector Transformer	04408
⑩	Condenser (.09 Mfd.)	3615-AJ
⑪	Compensating Condenser — Detector — Part of Tuning Condenser Assembly	
⑫	Compensating Condenser—Coupling	04000-M
⑬	Oscillator Coil	04409
⑭	Condenser (700 Mmf.)	4520
⑮	Resistor (15,000 Ohms)	6206
⑯	Compensating Condenser—Low Frequency	04000-B
⑰	Condenser (410 Mfd.)	5120
⑱	Resistor (1,000,000 Ohms)	4409
⑲	Resistor (1,000 Ohms)	4590
⑳	Compensating Condenser—Second I.F. Primary	04000-M
㉑	Condenser (2-.25, 2-.5 Mfd.)	04407
㉒	Second I.F. Transformer	04320
㉓	Resistor (99,000 Ohms)	4411
㉔	Volume Control	6015

No. on Figs. 1 and 2	Description	Part No.
㉕	Condenser (110 Mmf.)	4519
㉖	Condenser (110 Mmf.)	4519
㉗	Condenser (.01 Mfd.)	3908-N
㉘	Resistor (1,000,000 Ohms)	4517
㉙	Resistor (490,000 Ohms)	4516
㉚	Resistor (25,000 Ohms)	4409
㉛	Resistor (25,000 Ohms)	4409
㉜	Condenser (.01 Mfd.)	3908-X
㉝	Resistor (1,000,000 Ohms)	4409
㉞	Tone Control	08187
㉟	Resistor (51,000 Ohms)	4518
㊱	Push-Pull Input Transformer	6064
㊲	Condenser (1,000 Mmf.) *	5215
㊳	Push-Pull Output Transformer	2635
㊴	Voice Coil and Cone Assembly	02874
㊵	Speaker Field Assembled with Pot	02892
㊶	Pilot Light	3468
㊷	Condenser (.015 Mfd. Double)	3798-E
㊸	On-Off Switch	4065
㊹	Power Transformer (50-80 cycles)	6072
㊺	Power Transformer (35-40 cycles)	6073
㊻	Power Transformer (50-80 cycles, 230 volts)	6074
㊼	Electrolytic Condenser (6 Mfd.) 50-90 cycles	4916
㊽	Filter Choke	4819
㊾	Condenser (.15 Mfd.)	6287-B
㊿	Condenser (6 Mfd.)	4916
Ⓚ	B. C. Resistor	6071

I.F. 260 KC.

Philco Radio  
MODEL 90

WITH 2- TYPE 47 TUBES  
SERIAL No. 32,001 TO B35,000  
AND ABOVE B53,100

# Models 90 and 90-A

WITH 2- TYPE 45 TUBES

No. on Figs. 3 and 4	Description	Part No.	No. on Figs. 3 and 4	Description	Part No.
①	Volume Control	5039	④	Condenser .015 M. F. (Double)	3798-E
②	1st R. F. Transformer	03013	⑤	Condenser .0007 M. F. } Assembled	03060
③	Gang Condenser—50 to 60 cycles	03001	⑥	Compensating Condenser	4237
④	Gang Condenser—25 to 40 cycles	03078	⑦	Resistor—50,000 Ohms	03016
⑤	Compensating Condenser (Part of Tuning Condenser Assembly)		⑧	Oscillator Coil	4095
⑥	2nd R. F. Transformer	03014	⑨	On-Off Switch	5215
⑦	Compensating Condenser (Part of Tuning Condenser Assembly)		⑩	Resistor—12,000 Ohms	3796
⑧	1st Det. Transformer	03015	⑪	Condenser .0011 M. F.	4519
⑨	Compensating Condenser (Part of Tuning Condenser Assembly)		⑫	Compensating Condenser (Part of Tuning Condenser Assembly)	
⑩	Condenser .06 M. F. (Double)	4080-C	⑬	Resistor—5,000 Ohms	3026
⑪	Condenser .06 M. F. (Double)	4080-B	⑭	Pilot Bulb	3463
⑫	Fixed Condenser .0011 M. F. (Double)	3772-C	⑮	R. F. Choke	03096
⑬	Compensating Condenser Assembled		⑯	Line Cord and Plug	L-943
⑭	1st I. F. Transformer	03009	⑰	Tube Shield	03002
⑮	Compensating Condenser Assembled	03061	⑱	Knob (large) Dial Control	4956-A
⑯	Fixed Condenser .0011	3116	⑲	Spring (Dial Knobs)	4147
⑰	Normal Maximum Switch	4990	⑳	Knobs (small) Tone and Volume Control	4939-A
⑱	Condenser (.00035 mf)	03143	㉑	Knob (switch)	4937
㉑	2nd I. F. Transformer	03011	㉒	Grid Clip	L-1124-A
㉒	Compensating Condenser	03061	㉓	Speaker Plug and Cable	3747
㉓	Fixed Condenser .0011	4518	㉔	Grommet for R. F. Transformer Shield	5026
㉔	Resistor—50,000 Ohms	4990	㉕	Rectifier Tube Socket	4055
㉕	Resistor—250,000 Ohms	4410	㉖	Four Prong Socket Assembly	4056
㉖	Resistor—1,000,000 Ohms	4400	㉗	Five Prong Socket Assembly	4057
㉗	Condenser .5 M. F. (Double)	03024	㉘	Speaker Socket	4092
㉘	Tone Control	4037-A	㉙	Volume Control Insulator	4286
㉙	1st Audio Transformer	4952	㉚	Volume Control Insulator	L-1126
㉚	Condenser 2—25 M. F. and 1—.5 M. F.	03028	㉛	Finishing Rosettes	4287
㉛	Condenser .06 M. F.	3615-G	㉜	Speaker Mounting Screws (8 used)	W-438-A
㉜	Output Transformer:		㉝	Speaker Mounting Screws (1 used)	W-433
H <sub>1</sub> (For Large Cone Assembly)	2848		Dial	8021	
K <sub>2</sub> (For Small Cone Assembly)	2766		Mica for Gang Condenser Compensating		
①	Voice Coil Assembly and Cone:		Condenser	3473	
H <sub>2</sub> (Large Cone)	02997		Insulating Washer for Compensating		
K <sub>2</sub> (Small Cone)	02996		Condenser	3500	
②	Speaker Field—Assembled with Pot and Frame		Tuning Condenser Mounting Washer	3614	
③	Resistor—250,000 Ohms	3766	Tuning Condenser Mounting Washer	3015	
④	Resistor—250,000 Ohms	4410	Tuning Condenser Mounting Sleeve	3016	
⑤	Filter Choke	4061	Spring for Tuning Condenser	4255	
⑥	Condenser 6 M. F. Electrolytic Type (50-60 cycles)	4916	Base	3008	
⑦	Condenser 10 M. F. Electrolytic Type (25-40 cycles)	5142	Complete Pilot Bracket	03061-A	
⑧	Condenser 6 M. F. Electrolytic Type (25-40) and (50-60) cycles	4916	Dial Disc	4025	
⑨	B. C. Resistor	4953	Light Shield Screen	4937	
⑩	Power Transformer (50 to 60 cycles)	4938	Friction Drive Bracket	4956	
⑪	Power Transformer (25 to 40 cycles)	4936	Brass Collar for Friction Drive	4956	
			Shaft	4951	

## REPLACEMENT PARTS—MODELS 90 and 90-A RECEIVERS

(Above Serial No. 237,901)

No. on Figs. 3 and 4	Description	Part No.	No. on Figs. 3 and 4	Description	Part No.
①	Resistor (10,000 ohms)	4412	⑤	Voice Coil Assembly and Cone:	
②	First R. F. Transformer	03360	H <sub>2</sub> (Large Cone)	02997	
③	Gang Condenser (50-60 cycles)	03001	K <sub>2</sub> (Small Cone)	02996	
④	Gang Condenser (25-40 cycles)	03078	⑥	Speaker Field (Assembled with pot and frame)	
⑤	Compensating Condenser (part of gang condenser assembly)		⑦	By-Pass Condenser (.05 mfd.)	3615-W
⑥	Second R. F. Transformer	03014	⑧	Resistor (490,000 ohms)	4517
⑦	Compensating Condenser (part of gang condenser assembly)		⑨	Oscillator Coil	03016
⑧	First Detector Transformer	03015	⑩	By-Pass Condenser (.09 mfd.) double	4989-G
⑨	Compensating Condenser (part of gang condenser assembly)		⑪	Compensating Condenser } Assembled	03060
⑩	Compensating Condenser (First I. F. Primary)	03315	Condenser (.0007 mfd.)		
⑪	First I. F. Transformer	03009	⑫	Resistor (51,000 ohms)	4518
⑫	Compensating Condenser (First I. F. Secondary)	03315	⑬	Resistor (5,000 ohms)	5310
⑬	Compensating Condenser (Second I. F. Primary)	03317	⑭	Compensating Condenser (part of tuning condenser assembly)	
⑭	Second I. F. Transformer	03346	⑮	Condenser (110 mmf.)	4519
⑮	Condenser (110 mmf.)	4519	⑯	Resistor (51,000 ohms)	4237
⑯	Resistor (51,000 ohms)	4518	⑰	By-Pass Condenser (.05 mfd.)	3615-U
⑰	Resistor (51,000 ohms)	4518	⑱	By-Pass Condenser (.05 mfd.)	3615-E
⑱	Resistor (99,000 ohms)	4411	⑲	Resistor (490,000 ohms)	4517
⑲	By-Pass Condenser (.01 mfd.)	3903-M	㉑	Resistor (70,000 ohms)	5385
⑳	Condenser (.00025 mfd.)	8032	㉒	Resistor (25,000 ohms)	4516
㉑	Volume Control	5366	㉓	Resistor (240,000 ohms)	3768
㉒	Resistor (51,000 ohms)	4518	㉔	Condenser (.015 mfd.) double	3793-E
㉓	Resistor (70,000 ohms)	5385	㉕	On-Off Switch	4095
㉔	By-Pass Condenser (.01 mfd.)	3903-M	㉖	Power Transformer (50-60 cycles)	5362
㉕	Condenser (1-1 mfd., 1-13 mfd., 2-25 mfd.)	03325	㉗	Power Transformer (25-40 cycles)	5363
㉖	Resistor (240,000 ohms)	4410	Power Transformer (50-60 cycles, 220 volts)	5364	
㉗	Resistor (35,000 ohms)	3656	①	Choke	4951
㉘	Resistor (35,000 ohms)	3656	②	Condenser (6 mfd.) Electrolytic type (50-60 cycles)	4916
㉙	By-Pass Condenser (.01 mfd.)	3993-P	③	Condenser (10 mfd.) Electrolytic type (25-40 cycles)	5142
㉚	Resistor (340,000 ohms)	4410	④	Condenser (6 mfd.) Electrolytic type (50-60 cycles)	4916
㉛	Condenser (.25 mfd., 1 mfd.)	03327	⑤	Condenser (10 mfd.) Electrolytic type (25-40 cycles)	5142
㉜	Tone Control	4037-A	⑥	B. C. Resistor	5385
㉝	Output Transformer	2873	⑦	Line Cord and Plug	L-943
			⑧	Tube Shield (Large)	03373