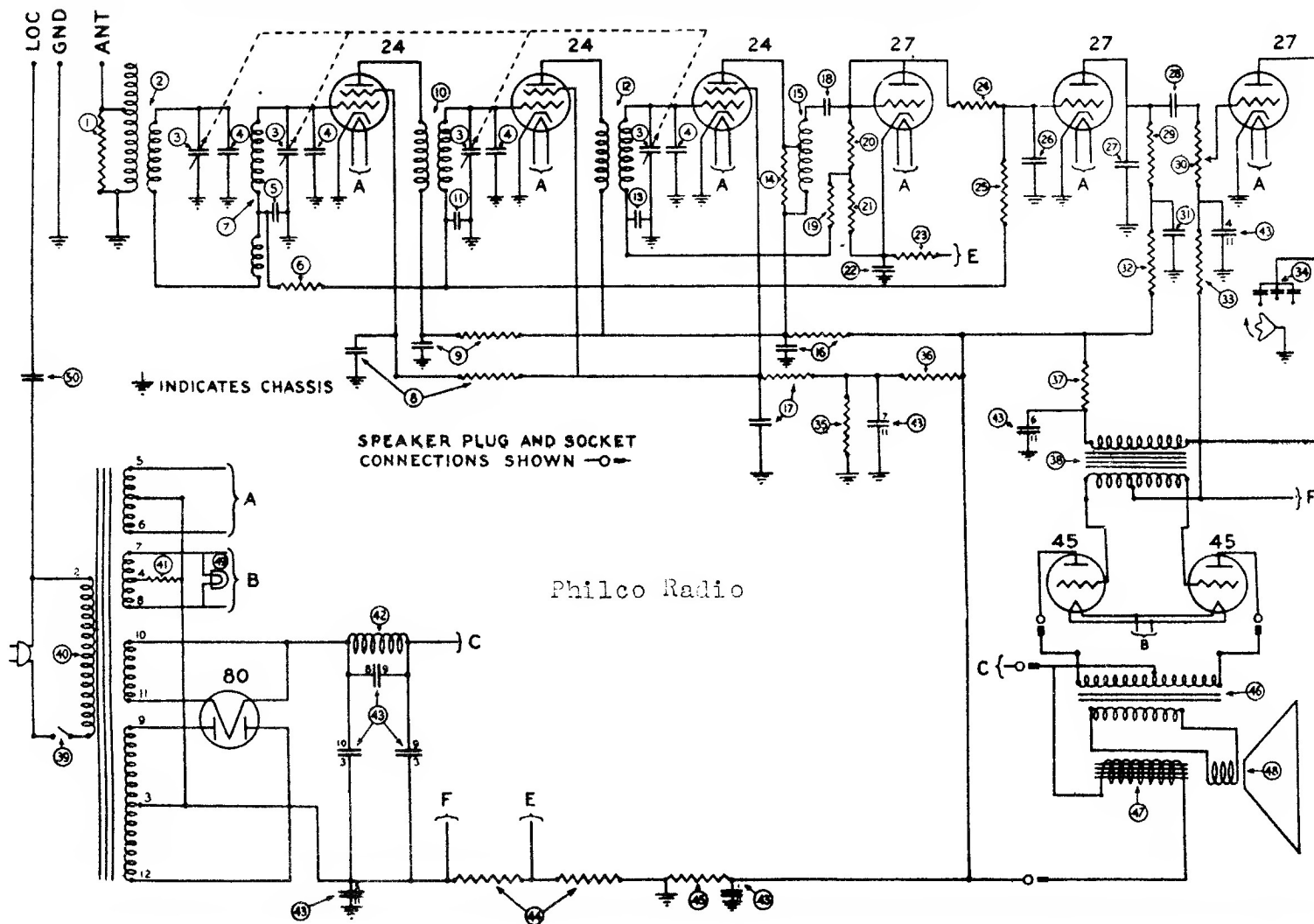
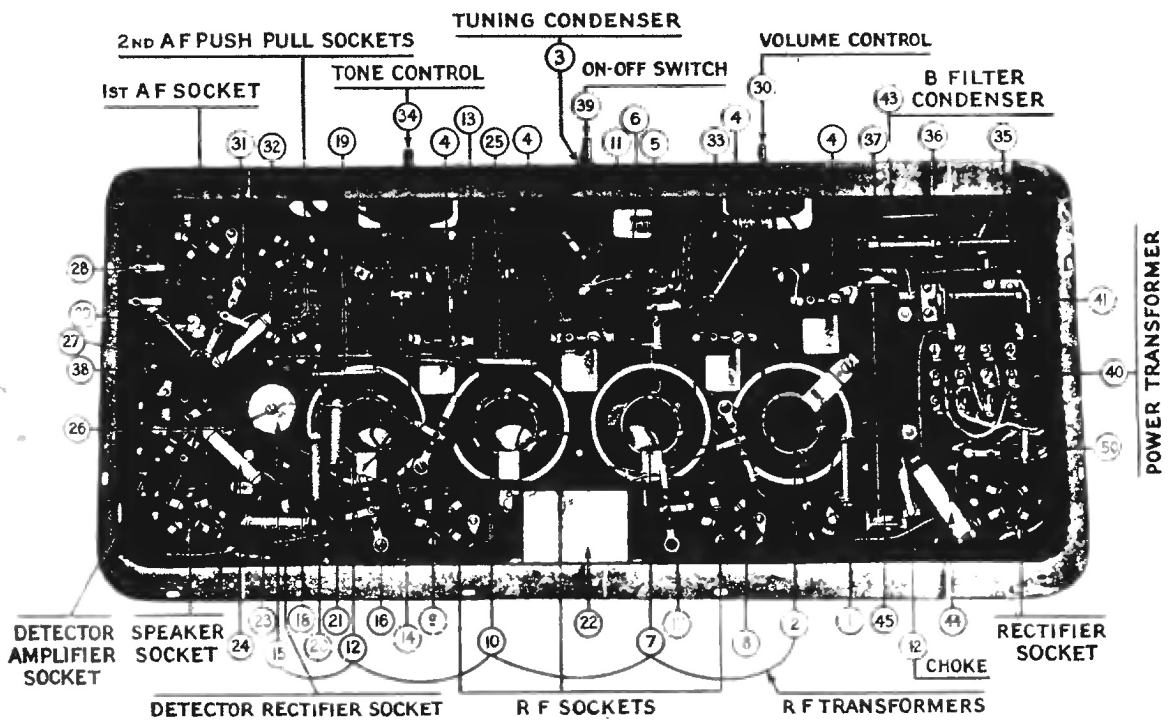


MODEL 96





Replacement Parts for Model 96

No.	Description	Part No.	No.	Description	Part No.
①	Antenna Resistor	3526	③⑥	Volume Control	4093
②	First R. F. Transformer	3744-A	③①	By-Pass Condenser	3615-D
③	Tuning Condenser	4000-D	③②	Resistor	3768
④	Compensating Condenser	3772-A	③③	Resistor	3542
⑤	By-Pass Condenser	3615-F	③④	Tone Control	4037-A
⑥	Resistor	3542	③⑤	Resistor	3542
⑦	Second R. F. Transformer	3744-B	③⑥	Resistor	3766
⑧	By-Pass Condenser and Resistor	3615-C	③⑦	Resistor	3656
⑨	By-Pass Condenser and Resistor	3615-B	③⑧	Input Transformer	3537
⑩	Third R. F. Transformer	3744-C	③⑨	On-Off Switch	4095
⑪	By-Pass Condenser	3615-E	④①	Power Transformer (60 Cycle)	3752
⑫	Fourth R. F. Transformer	3744-C	④②	Power Transformer (25 Cycle)	3753
⑬	By-Pass Condenser	3615-E	④③	C Resistor	3763
⑭	Resistor	3766	④④	Choke	3422
⑮	Fifth R. F. Transformer	3775-B	④⑤	Filter Condenser (60 Cycle)	3754
⑯	By-Pass Condenser and Resistor	3615-B	④⑥	Filter Condenser (25 Cycle)	3755
⑰	By-Pass Condenser and Resistor	3615-C	④⑦	Resistor	3764
⑱	Condenser	3774	④⑧	B Resistor	3762
⑲	Resistor	3760	④⑨	Out-Put Transformer	2848
⑳	Resistor	3767	④⑩	Field Coil	2850
㉑	Resistor	3767	④⑪	Voice Coil and Cone	2794-B
㉒	By-Pass Condenser	3583	④⑫	Pilot Lamp	3463
㉓	Resistor	3767	④⑬	Condenser (LOC)	3793-B
㉔	Resistor	3768	④⑭	Knob (Vol. Control)	3579
㉕	Resistor	3769	④⑮	Knob (Tuning Condenser)	3580
㉖	By-Pass Condenser	3082	④⑯	Dial Indicator	4006
㉗	By-Pass Condenser	3082	④⑰	Scale	4118
㉘	Condenser	3793-C	④⑱	Speaker Plug and Cable (Short)	L-1101-A
㉙	Resistor	3769	④⑲	Speaker Plug and Cable (Long)	L-1102-A

NOTE: The first two Compensating Condensers ④ are 3772-A; the third and fourth Condensers are 3968-A.