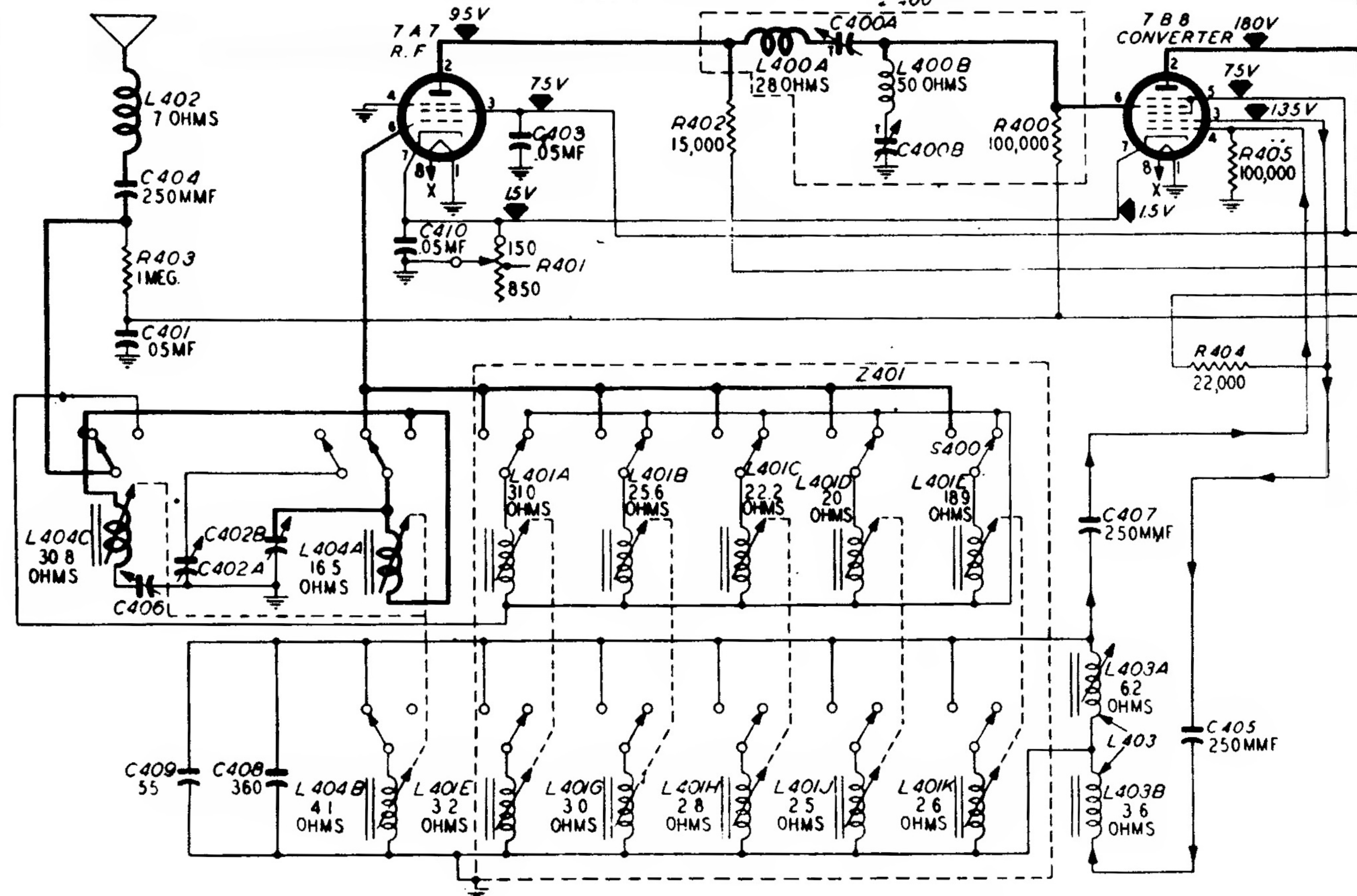
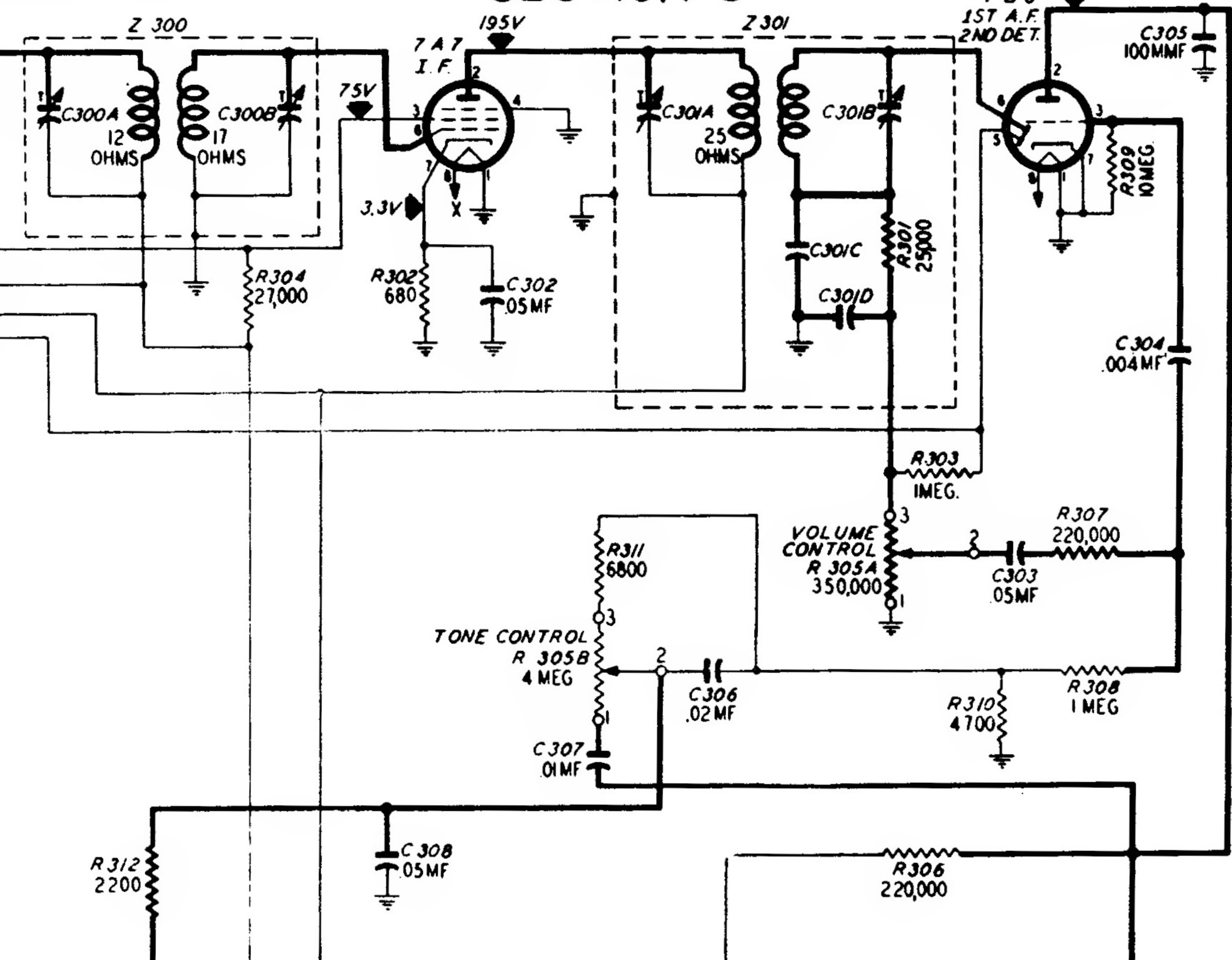


CHRYSLER-PHILCO AUTO RADIO, MODEL C4608
MOPAR MODEL 802

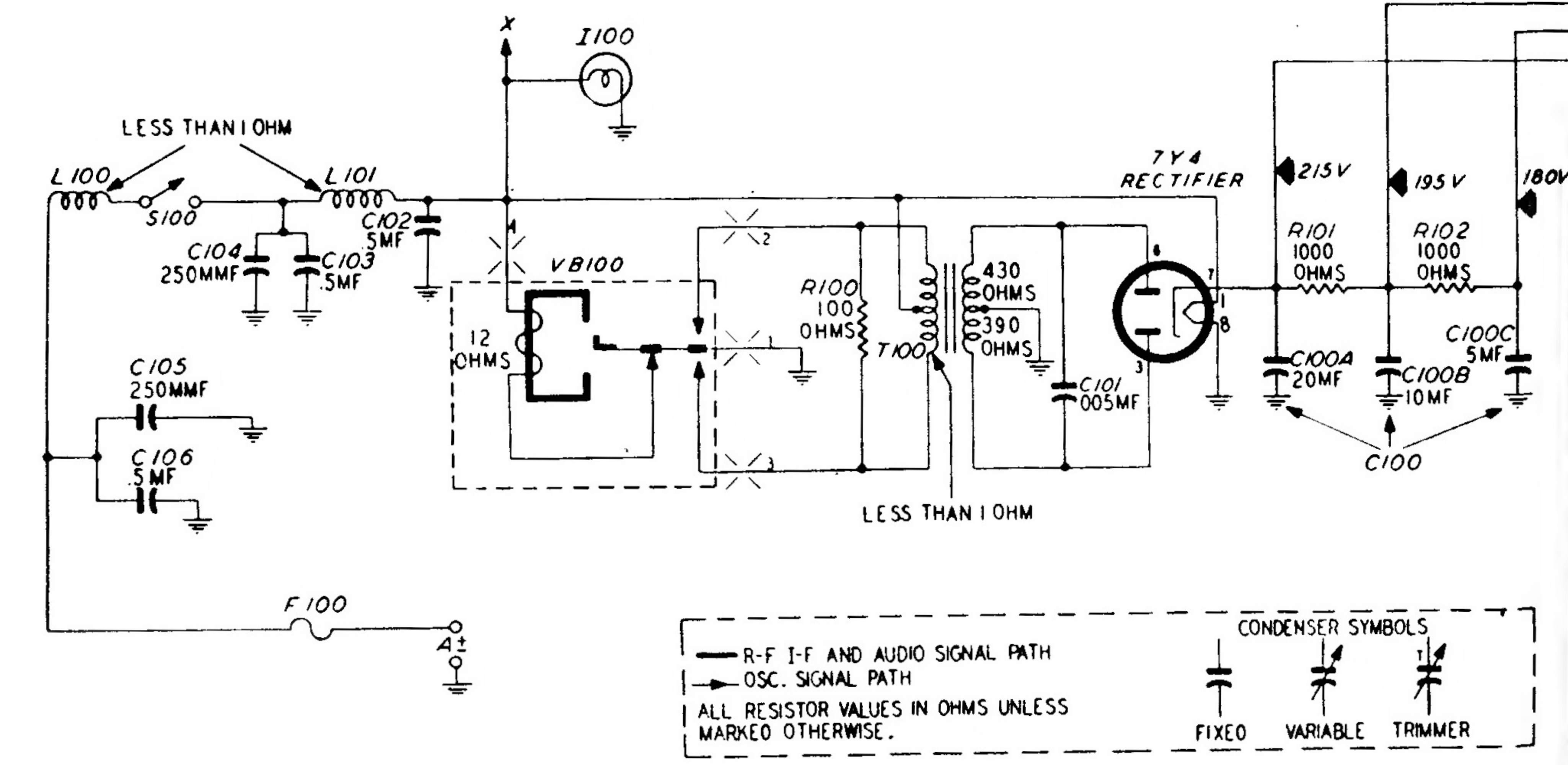
SECTION 4



SECTION 3



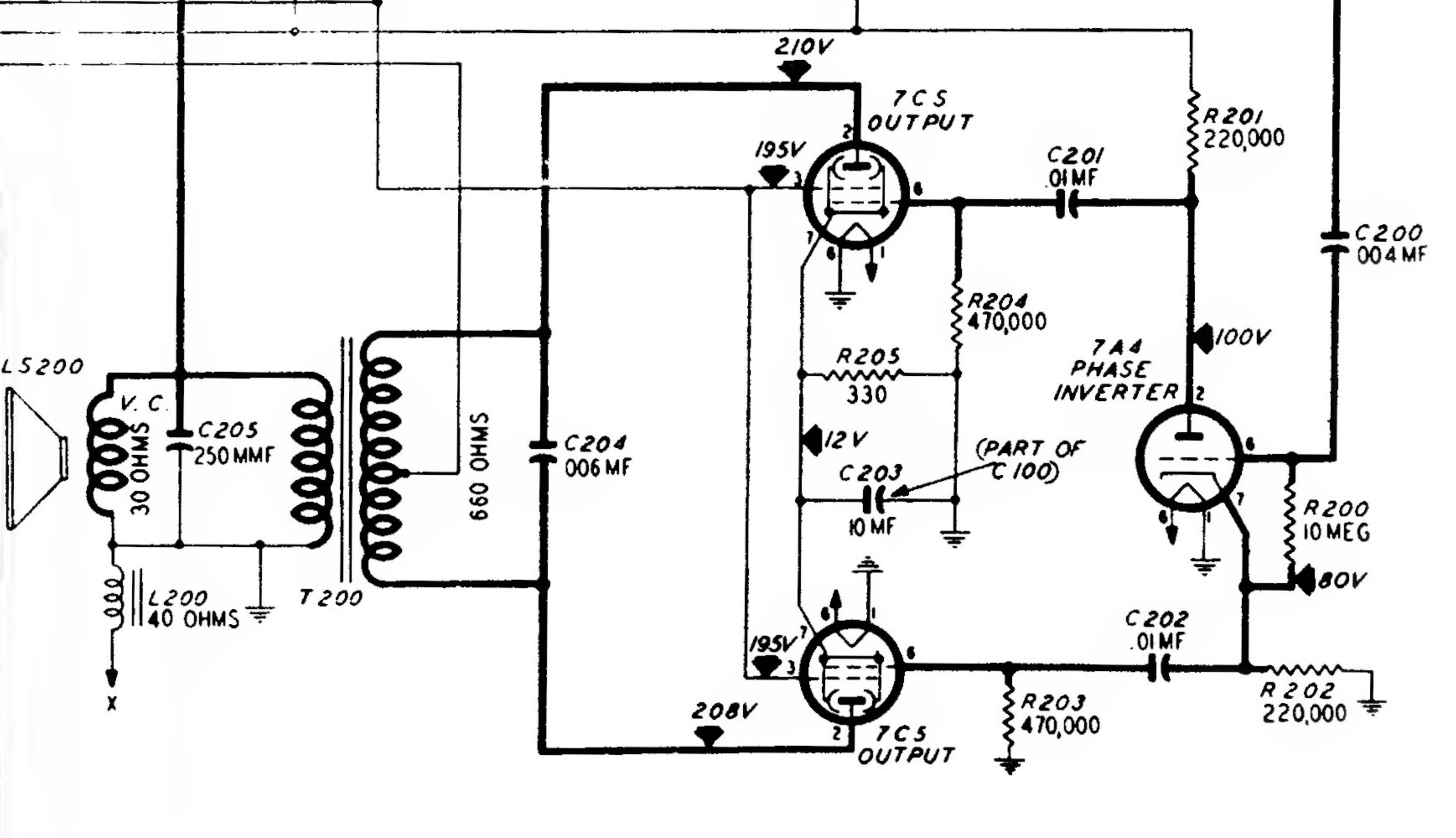
SECTION 1



— R-F I-F AND AUDIO SIGNAL PATH
 - - - - - OSC. SIGNAL PATH
 ALL RESISTOR VALUES IN OHMS UNLESS MARKED OTHERWISE.

CONDENSER SYMBOLS
 FIXED VARIABLE TRIMMER

SECTION 2



NOTE: All voltage, capacity, and resistance values shown are average. The voltages between B- (chassis) and other points indicated were measured with a 20,000 ohms-per-volt meter, with the volume control at minimum and the tuning control at 550 kc.

INTERMEDIATE FREQUENCY455 kc.