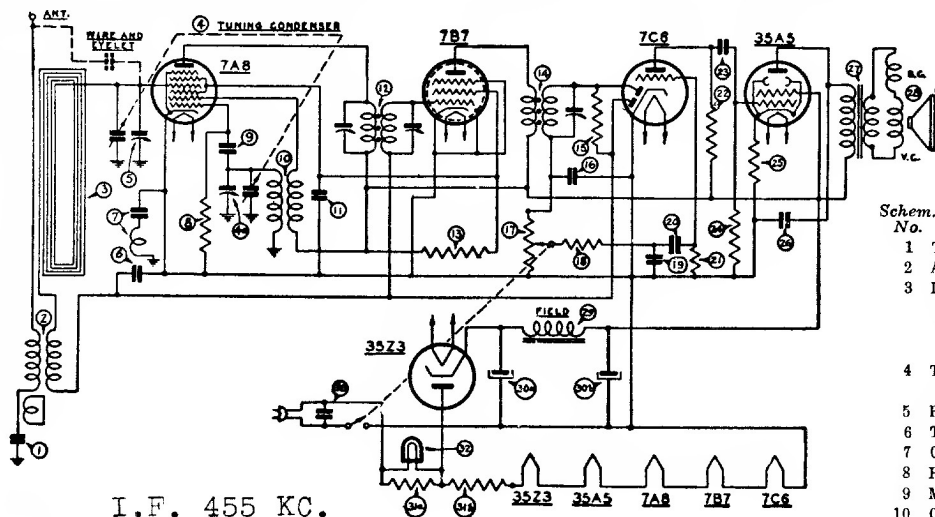


I.F. 470 KC.

PHILCO TRANSITONE HOME RADIO MODELS PT-25, PT-27 AND PT-39

Schem. No.	Description
1	Antenna Transformer .....
2	Tubular Condenser (.0015 mf., 200 V.)
3	Tuning Condenser .....
4	Tubular Condenser (.05 mf., 200 V.)
5	Tubular Condenser (.15 mf., 400 V.)
6	Resistor (47,000 ohms, 1/4 watt) ..
7	Mica Condenser (110 mmf.) .....
8	Oscillator Transformer .....
9	Tubular Condenser (.05 mf., 200 V.)
10	1st I. F. Transformer .....
11	2nd I. F. Transformer .....
12	Resistor 2.2 meg., 1/4 watt) .....
13	Mica Condenser (250 mmf.) .....
14	Resistor (22,000 ohms, 1/2 watt) ..
15	Volume Control (500,000 ohms) ..
16	Tubular Condenser (.01 mf., 200 V.)
17	Resistor (4.7 meg., 1/4 watt) .....
18	Resistor (220,000 ohms, 1/4 watt) ..
19	Tubular Condenser (.01 mf., 400 V.)
20	Resistor (470,000 ohms, 1/4 watt) ..
21	Resistor (130 ohms, 1/2 watt) .....
22	Tubular Condenser (.04 mf., 400 V.)
23	Output Transformer ..Part of Speaker
24	Speaker .....
25	Tubular Condenser (.04 mf., 400 V.)
26	Electrolytic Condenser (20-20 mf., 150 V.) .....
27	Field Coil .....
28	Pilot Lamp .....
29	Line Resistor .....

PHILCO TRANSITONE HOME RADIOS — MODELS PT-26, PT-28 AND PT-36



I.F. 455 KC.

Schem. No.	Description
1	Tubular Condenser (.0015 mf., 200V) ..
2	Antenna Transformer .....
3	Loop Antenna — Part of cabinet and loop PT-26 .....
	PT-28 .....
	PT-36 .....
4	Tuning Condenser — PT-26 & PT-28 PT-36 .....
5	Padding Condenser .....
6	Tubular Condenser (.1 mf., 200V) .....
7	Condenser & Choke Assy. .....
8	Resistor (22,000 ohms, 1/4 watt) .....
9	Mica Condenser (110 mmf.) .....
10	Oscillator Transformer .....
11	Tubular Condenser (.05 mf., 200V) .....
12	1st I. F. Transformer .....
13	Resistor (22,000 ohms, 1/2 watt) .....
14	2nd I. F. Transformer .....
15	Resistor (2.2 meg., 1/4 watt) .....
16	Mica Condenser (250 mmf.) .....
17	Volume Control (500,000 ohms) .....
18	Resistor (47,000 ohms, 1/4 watt) .....
19	Mica Condenser (250 mmf.) .....
20	Tubular Condenser (.01 mf., 200V) .....
21	Resistor (4.7 meg., 1/4 watt) .....
22	Resistor (220,000 ohms, 1/4 watt) ..
23	Tubular Condenser (.01 mf., 400V) ..

24	Resistor (470,000 ohms, 1/4 watt) ..
25	Resistor (130 ohms, 1/2 watt) .....
26	Tubular Condenser (.04 mf., 400V) ..
27	Output Transformer—Part of Speaker .....
28	Speaker .....
29	Field Coil—Part of Speaker No. ....
30	Electrolytic Condenser (20-20 mf., 150V)
31	Line Resistor .....
32	Pilot Lamp .....
33	Tubular Condenser (.04 mf., 400V) ..