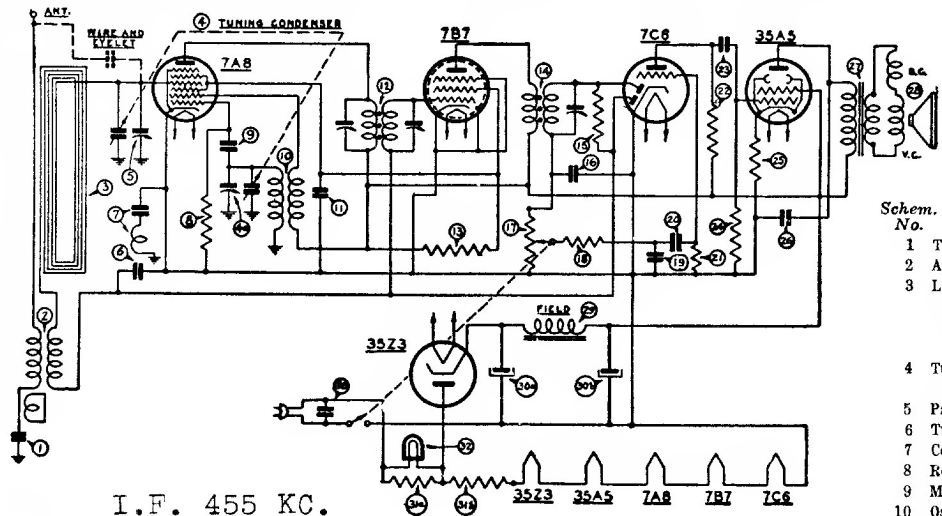


I.F. 470 KC.

PHILCO TRANSITONE HOME RADIO MODELS PT-25, PT-27 AND PT-39

Schem. No.	Description
1	Antenna Transformer
2	Tubular Condenser (.0015 mf., 200 V.)
3	Tuning Condenser
4	Tubular Condenser (.05 mf., 200 V.) .
5	Tubular Condenser (.15 mf., 400 V.) .
6	Resistor (47,000 ohms, 1/4 watt)
7	Mica Condenser (110 mmf.)
8	Oscillator Transformer
9	Tubular Condenser (.05 mf., 200 V.)
10	1st I. F. Transformer
11	2nd I. F. Transformer
12	Resistor 2.2 meg., 1/4 watt)
13	Mica Condenser (250 mmf.)
14	Resistor (22,000 ohms, 1/2 watt)
15	Volume Control (500,000 ohms)
16	Tubular Condenser (.01 mf., 200 V.)
17	Resistor (4.7 meg., 1/4 watt)
18	Resistor (220,000 ohms, 1/4 watt) ..
19	Tubular Condenser (.01 mf., 400 V.)
20	Resistor (470,000 ohms, 1/4 watt) ..
21	Resistor (130 ohms, 1/2 watt)
22	Tubular Condenser (.04 mf., 400 V.)
23	Output Transformer ..Part of Speaker
24	Speaker
25	Tubular Condenser (.04 mf., 400 V.)
26	Electrolytic Condenser (20-20 mf., 150 V.)
27	Field Coil
28	Pilot Lamp
29	Line Resistor

PHILCO TRANSITONE HOME RADIOS — MODELS PT-26, PT-28 AND PT-36



I.F. 455 KC.

Schem. No.	Description
1	Tubular Condenser (.0015 mf., 200V) ..
2	Antenna Transformer
3	Loop Antenna — Part of cabinet and loop PT-26
4	Tuning Condenser — PT-26 & PT-28 ... PT-36
5	Padding Condenser
6	Tubular Condenser (.1 mf., 200V)
7	Condenser & Choke Assy.
8	Resistor (22,000 ohms, 1/4 watt)
9	Mica Condenser (110 mmf.)
10	Oscillator Transformer
11	Tubular Condenser (.05 mf., 200V)
12	1st I. F. Transformer
13	Resistor (22,000 ohms, 1/2 watt)
14	2nd I. F. Transformer
15	Resistor (2.2 meg., 1/4 watt)
16	Mica Condenser (250 mmf.)
17	Volume Control (500,000 ohms)
18	Resistor (47,000 ohms, 1/4 watt)
19	Mica Condenser (250 mmf.)
20	Tubular Condenser (.01 mf., 200V) .
21	Resistor (4.7 meg., 1/4 watt)
22	Resistor (220,000 ohms, 1/4 watt) ..
23	Tubular Condenser (.01 mf., 400V) .
24	Output Transformer — Part of Speaker
25	Speaker
26	Field Coil — Part of Speaker No.
27	Electrolytic Condenser (20-20 mf., 150V)
28	Line Resistor
29	Pilot Lamp
30	Tubular Condenser (.04 mf., 400V)

24	Resistor (470,000 ohms, 1/4 watt) ..
25	Resistor (130 ohms, 1/2 watt)
26	Tubular Condenser (.04 mf., 400V) .
27	Output Transformer — Part of Speaker
28	Speaker
29	Field Coil — Part of Speaker No.
30	Electrolytic Condenser (20-20 mf., 150V)
31	Line Resistor
32	Pilot Lamp
33	Tubular Condenser (.04 mf., 400V)