

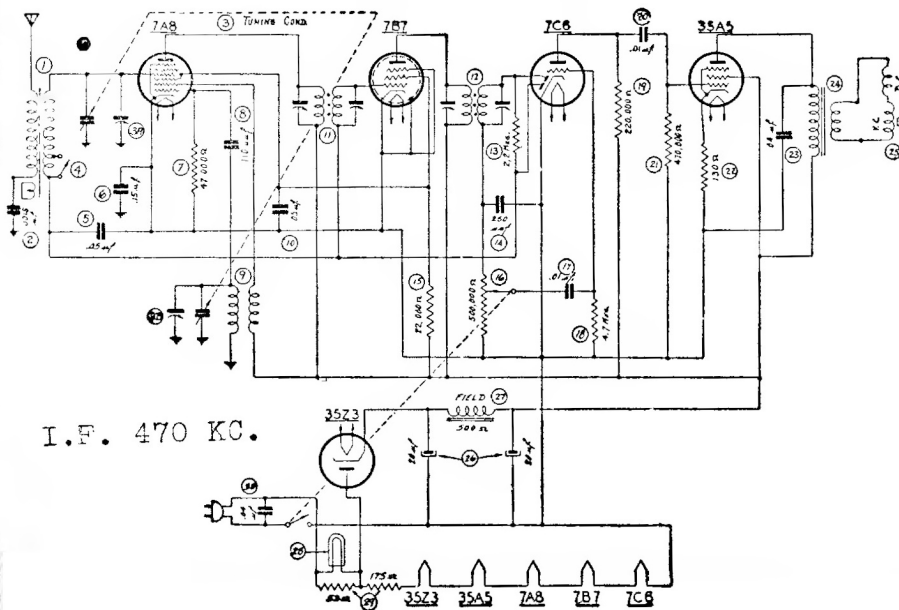
I.F. 470 KC.

PHILCO TRANSITONE MODELS PT-37 AND PT-53

Schem. No.	Description	Philco Part No.
1	Antenna Transformer	32-3233
2	Tubular Condenser (.0015 mf., 200 v.)	30-4555S
3	Tuning Condenser	31-2431
4	Wave Switch	42-1497
5	Tubular Condenser (.05 mf., 200 v.)	30-4519S
6	Tubular Condenser (.15 mf., 400 v.)	30-4600S
7	Tubular Condenser (.05 mf., 200 v.)	30-4519S
8	Resistor (220 ohms, 1/2 watt)	33-122336
9	Resistor (100,000 ohms, 1/4 watt)	33-410154
10	Mica Condenser (250 mmf.)	61-0033
11	Short Wave Oscillator Trans.	32-3234
12	BC Oscillator Transformer	32-3217
13	Dual Padding Condenser	31-6331
14	Mica Condenser (410 mmf.)	30-1089
15	Resistor (4700 ohms, 1/4 watt)	33-247134
16	Tubular Condenser (.05 mf., 200 v.)	30-4519S
17	1st I. F. Transformer	32-3327
18	2nd I. F. Transformer	32-3150

Schem. No.	Description	Philco Part No.
19	Resistor (2.2 megohms, 1/4 watt)	33-522154
20	Mica Condenser (250 mmf.)	61-0033
21	Resistor (8,200 ohms, 1/4 watt)	33-282334
22	Volume Control	33-5306
23	Tubular Condenser (.01 mf., 400 v.)	30-4572S
24	Resistor (4.7 megohm, 1/4 watt)	33-547154
25	Resistor (220,000 ohms, 1/4 watt)	33-522154
26	Tubular Condenser (.01 mf., 200 v.)	30-4581S
27	Resistor (470,000 ohms, 1/4 watt)	33-447154
28	Electrolytic Condenser	30-2402
29	Resistor (130 ohms, 1/2 watt)	33-113336
30	Tubular Condenser (.04 mf., 400 v.)	30-4119S
31	Output Trans.—Part of Speaker No.	36-1469
32	Speaker	36-1469
33	Field Coil—Part of Speaker No.	36-1469
34	Pilot Lamp	34-2068
35	Line Resistor	33-3387
36	Tubular Condenser (.04 mf., 400 v.)	30-4119S

PHILCO TRANSITONE HOME RADIO MODEL PT-35



I.F. 470 KC.

Schem. No.	Description
1	Antenna Transformer
2	Tubular Condenser (.0015 mf., 200 v.)
3	Tuning Condenser
4	Switch
5	Tubular Condenser (.05 mf., 200 v.)
6	Tubular Condenser (.15 mf., 400 v.)
7	Resistor (47,000 ohms, 1/4 watt)
8	Mica Condenser (110 mmf.)
9	Oscillator Transformer
10	Tubular Condenser (.05 mf., 200 v.)
11	1st I. F. Transformer
12	2nd I. F. Transformer
13	Resistor (2.2 meg., 1/4 watt)
14	Mica Condenser (250 mmf.)
15	Resistor (22,000 ohms, 1/2 watt)
16	Volume Control (500,000 ohms)
17	Tubular Condenser (.01 mf., 200 v.)
18	Resistor (4.7 meg., 1/4 watt)
19	Resistor (220,000 ohms, 1/4 watt)
20	Tubular Condenser (.01 mf., 400 v.)
21	Resistor (470,000 ohms, 1/4 watt)
22	Resistor (130 ohms, 1/2 watt)
23	Tubular Condenser (.04 mf., 400 v.)
24	Output Transformer
25	Speaker
26	Electrolytic Condenser (20-20 mf., 150 v.)
27	Field Coil—Part of Speaker No.
28	Pilot Lamp
29	Line Resistor
30	Tubular Condenser (.04 mf., 400 v.)