

I.F. 470 KC.

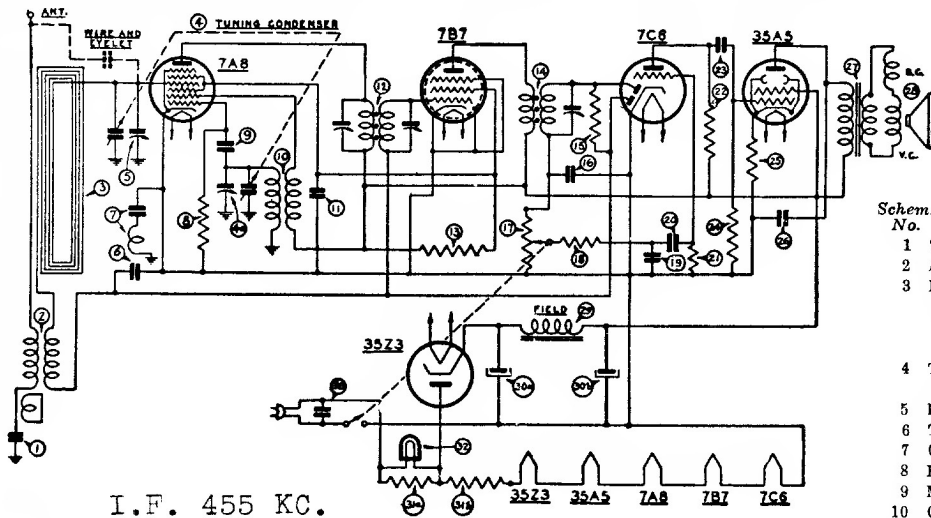
PHILCO TRANSITONE HOME RADIO MODELS PT-25, PT-27 AND PT-39

Schem. No.

Description

- 1 Antenna Transformer
- 2 Tubular Condenser (.0015 mf., 200 V.)
- 3 Tuning Condenser
- 4 Tubular Condenser (.05 mf., 200 V.) .
- 5 Tubular Condenser (.15 mf., 400 V.) .
- 6 Resistor (47,000 ohms, ¼ watt)
- 7 Mica Condenser (110 mmf.)
- 8 Oscillator Transformer
- 9 Tubular Condenser (.05 mf., 200 V.)
- 10 1st I. F. Transformer
- 11 2nd I. F. Transformer
- 12 Resistor 2.2 meg., ¼ watt)
- 13 Mica Condenser (250 mmf.)
- 14 Resistor (22,000 ohms, ½ watt)
- 15 Volume Control (500,000 ohms)
- 16 Tubular Condenser (.01 mf., 200 V.)
- 17 Resistor (4.7 meg., ¼ watt)
- 18 Resistor (220,000 ohms, ¼ watt) ..
- 19 Tubular Condenser (.01 mf., 400 V.)
- 20 Resistor (470,000 ohms, ¼ watt) ..
- 21 Resistor (130 ohms, ½ watt)
- 22 Tubular Condenser (.04 mf., 400 V.)
- 23 Output Transformer ..Part of Speaker
- 24 Speaker
- 25 Tubular Condenser (.04 mf., 400 V.)
- 26 Electrolytic Condenser
(20-20 mf., 150 V.)
- 27 Field Coil
- 28 Pilot Lamp
- 29 Line Resistor

PHILCO TRANSITONE HOME RADIOS — MODELS PT-26, PT-28 AND PT-36



I.F. 455 KC.

Schem. No.

Description

- 1 Tubular Condenser (.0015 mf., 200V) ..
- 2 Antenna Transformer
- 3 Loop Antenna — Part of cabinet and loop
PT-26
- PT-28
- PT-36
- 4 Tuning Condenser — PT-26 & PT-28 ...
PT-36
- 5 Padding Condenser
- 6 Tubular Condenser (.1 mf., 200V)
- 7 Condenser & Choke Assy.
- 8 Resistor (22,000 ohms, ¼ watt)
- 9 Mica Condenser (110 mmf.)
- 10 Oscillator Transformer
- 11 Tubular Condenser (.05 mf., 200V)
- 12 1st I. F. Transformer
- 13 Resistor (22,000 ohms, ½ watt)
- 14 2nd I. F. Transformer
- 15 Resistor (2.2 meg., ¼ watt)
- 16 Mica Condenser (250 mmf.)
- 17 Volume Control (500,000 ohms)
- 18 Resistor (47,000 ohms, ¼ watt)
- 19 Mica Condenser (250 mmf.)
- 20 Tubular Condenser (.01 mf., 200V) .
- 21 Resistor (4.7 meg., ¼ watt)
- 22 Resistor (220,000 ohms, ¼ watt) ..
- 23 Tubular Condenser (.01 mf., 400V) .
- 24 Resistor (470,000 ohms, ¼ watt) ..
- 25 Resistor (130 ohms, ½ watt)
- 26 Tubular Condenser (.04 mf., 400V) .
- 27 Output Transformer—Part of Speaker
- 28 Speaker
- 29 Field Coil—Part of Speaker No.
- 30 Electrolytic Condenser (20-20 mf., 150V)
- 31 Line Resistor
- 32 Pilot Lamp
- 33 Tubular Condenser (.04 mf., 400V) ...