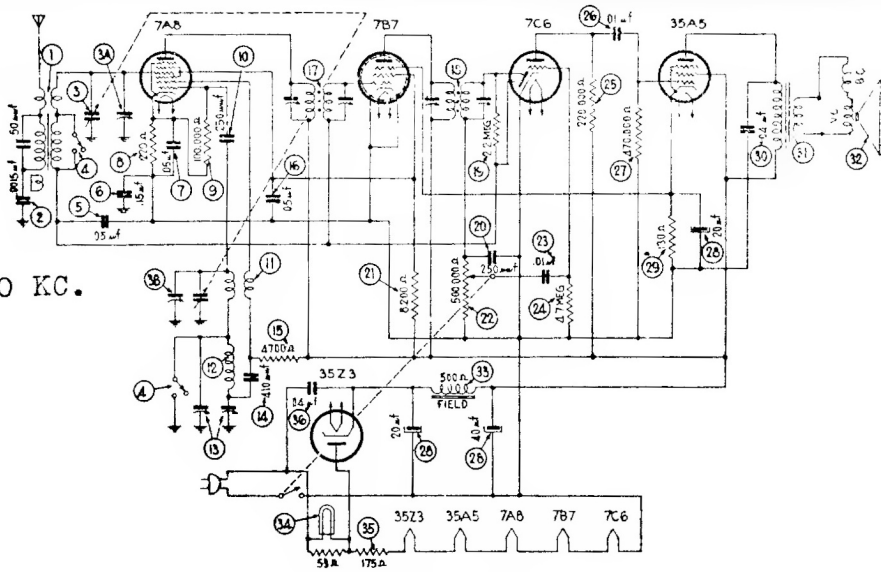


I.F. 470 KC.

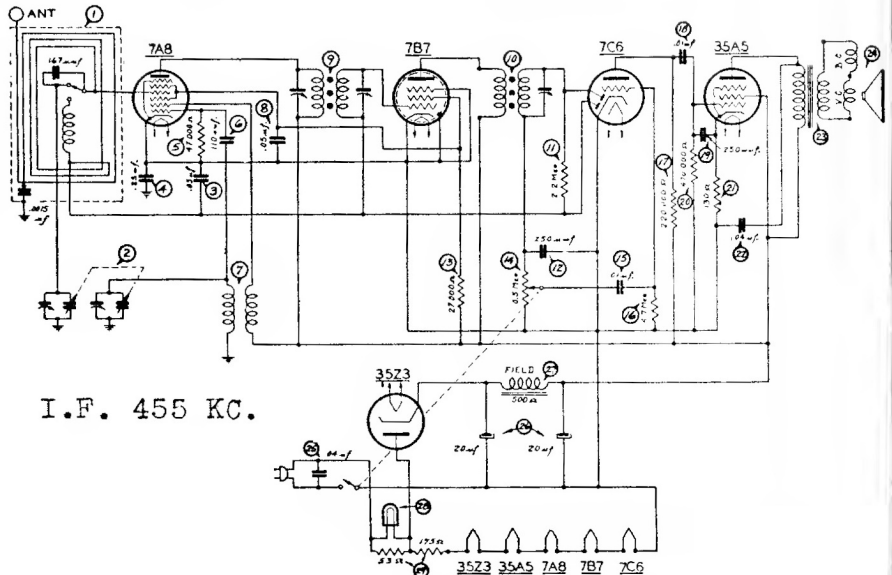


PHILCO TRANSITONE MODEL PT-38

Schem. No.	Description	Philco Part No.	Schem. No.	Description	Philco Part No.
1	Antenna Transformer	32-3233	19	Resistor (2.2 megohms, 1/4 watt)	33-522154
2	Tubular Condenser (.0015 mf., 200 v.)	30-4555	20	Mica Condenser (250 mmf.)	61-0033
3	Tuning Condenser	31-2431	21	Resistor (8,200 ohms, 1/4 watt)	33-282334
4	Wave Switch	42-1497	22	Volume Control	33-5306
5	Tubular Condenser (.04 mf., 200 v.)	30-4519	23	Tubular Condenser (.01 mf., 400 v.)	30-4572
6	Tubular Condenser (.15 mf., 400 v.)	30-4600	24	Resistor (4.7 megohms, 1/4 watt)	33-547154
7	Tubular Condenser (.05 mf., 200 v.)	30-4519	25	Resistor (220,000 ohms, 1/4 watt)	33-522154
8	Resistor (220 ohms, 1/2 watt)	33-122336	26	Tubular Condenser (.01 mf., 400 v.)	30-4572
9	Resistor (100,000 ohms, 1/4 watt)	33-410154	27	Resistor (470,000 ohms, 1/4 watt)	33-447154
10	Mica Condenser (250 mmf.)	61-0033	28	Electrolytic Condenser	30-2402
11	Short Wave Oscillator Trans.	32-3234	29	Resistor (130 ohms, 1/2 watt)	33-113336
12	BC Oscillator Transformer	32-3217	30	Tubular Condenser (.04 mf., 400 v.)	30-4119
13	Dual Padding Condenser	31-6331	31	Output Trans.—Part of Speaker No.	36-1469
14	Mica Condenser (410 mmf.)	30-1089	32	Speaker	36-1469
15	Resistor (4700 ohms, 1/4 watt)	33-247154	33	Field Coil—Part of Speaker No.	36-1469
16	Tubular Condenser (.05 mf., 200 v.)	30-4519	34	Pilot Lamp	34-2068
17	1st I. F. Transformer	32-3327	35	Line Resistor	33-3367
18	2nd I. F. Transformer	32-3150	36	Tubular Condenser (.04 mf., 400 v.)	30-4119

PHILCO TRANSITONE HOME RADIO MODELS PT-43 AND PT-55

Schem. No.	Description
1	Loop Antenna Assembly
2	Tuning Condenser
3	Tubular Condenser (.05 mf., 200 v.)
4	Tubular Condenser (.25 mf., 400 v.)
5	Resistor (47,000 ohms, 1/4 watt)
6	Mica Condenser (110 mmf.)
7	Oscillator Transformer
8	Tubular Condenser (.05 mf., 200 v.)
9	1st I. F. Transformer
10	2nd I. F. Transformer
11	Resistor (2.2 megs., 1/4 watt)
12	Mica Condenser (250 mmf.)
13	Resistor (27,000 ohms, 1/2 watt)
14	Volume Control (500,000 ohms)
15	Tubular Condenser (.01 mf., 200 v.)
16	Resistor (4.7 megs., 1/4 watt)
17	Resistor (220,000 ohms, 1/4 watt)
18	Tubular Condenser (.01 mf., 400 v.)
19	Mica Condenser (250 mmf.)
20	Resistor (470,000 ohms, 1/4 watt)
21	Resistor (130 ohms, 1/2 watt)
22	Tubular Condenser (.04 mf., 400 v.)
23	Output Transformer
24	Speaker
25	Tubular Condenser (.04 mf., 400 v.)
26	Electrolytic Condenser (20-20 mf., 150 v.)
27	Field Coil, Part of Speaker
28	Pilot Lamp
29	Line Resistor



I.F. 455 KC.